



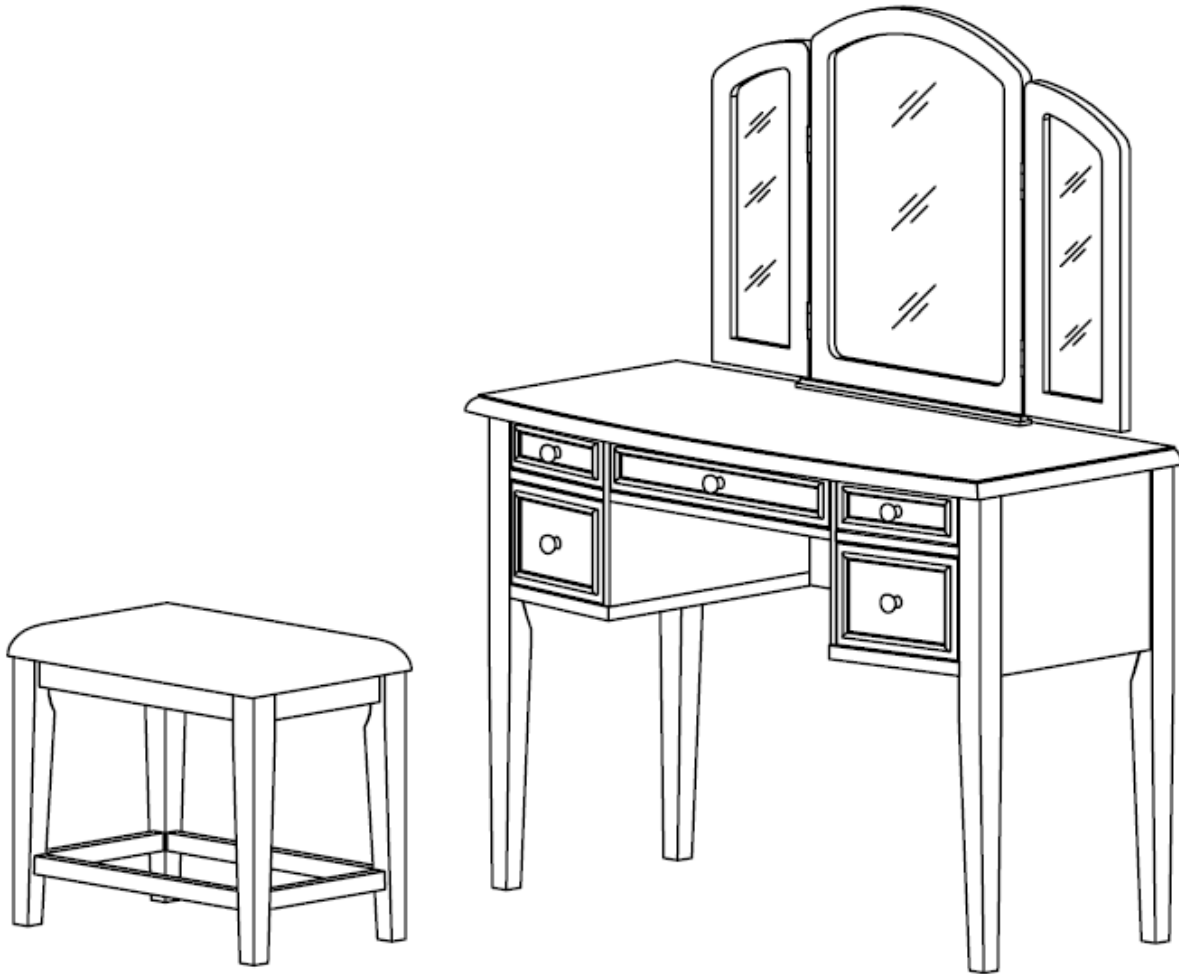
## ASSEMBLY INSTRUCTIONS (VJ) MODEL NO. 502-290

Made in Vietnam

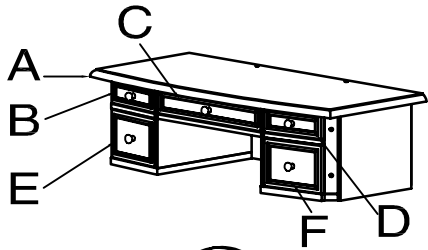
Thank you for purchasing this quality product. Be sure to check all packing material carefully for small parts which may have come loose inside the carton during shipment. Separate, identify, and count all parts and metal hardware. Compare with parts list and hardware illustrations to be sure all parts are present. If any parts are missing or damaged, phone, fax, or mail to Customer Service Department. For efficient and speedy service, please indicate the model number and code letter of part (s) needed

ATTENTION: SOME NUMBERED PARTS LISTED ON THE INSTRUCTION SHEET MAY NOT BE IN PARTS BAG AS THEY MAY ALREADY BE ASSEMBLED. CAREFULLY CHECK PARTS AND PACKING MATERIALS PRIOR TO ORDERING REPLACEMENTS

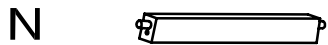
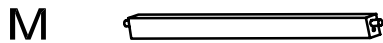
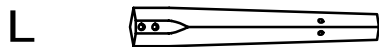
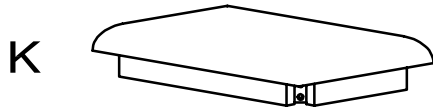
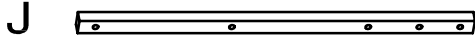
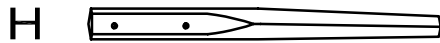
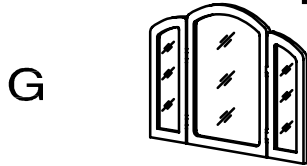
Tool Required : Allen key (included)



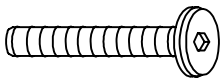
## PARTS



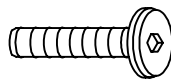
- A - TOP
- B - SMALL LEFT DRAWER
- C - MIDDLE DRAWER
- D - SMALL RIGHT DRAWER
- E - BIG LEFT DRAWER
- F - BIG RIGHT DRAWER
- G - MIRROR
- H - LONG LEGS (4)
- I - TOP SUPPORT
- J - MIRROR SUPPORT
- K - SEAT
- L - SHORT LEGS (4)
- M - LONG STRETCHER (2)
- N - SHORTT STRETCHER (2)



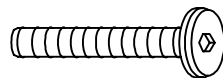
## HARDWARE



O  
(8 PIECES)



P  
(12 PIECES)



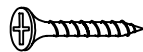
Q  
(8 PIECES)



R  
(28 PIECES)



S  
(16 PIECES)

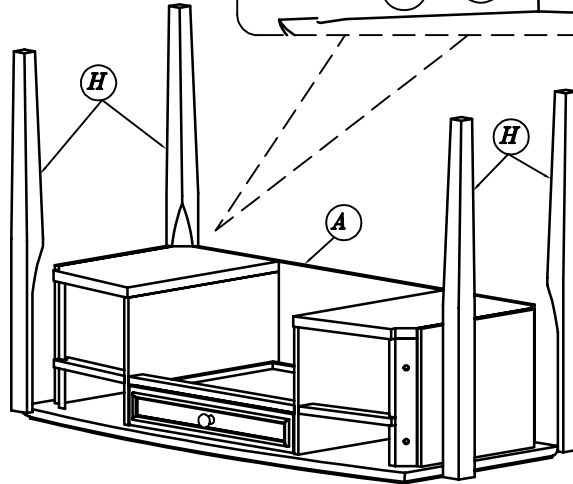
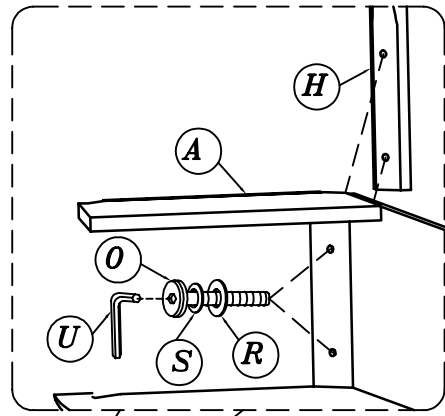
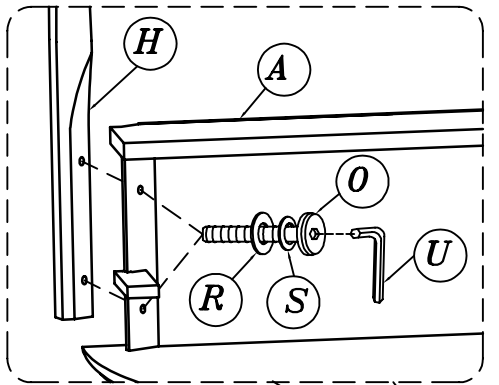


T  
(8 PIECES)

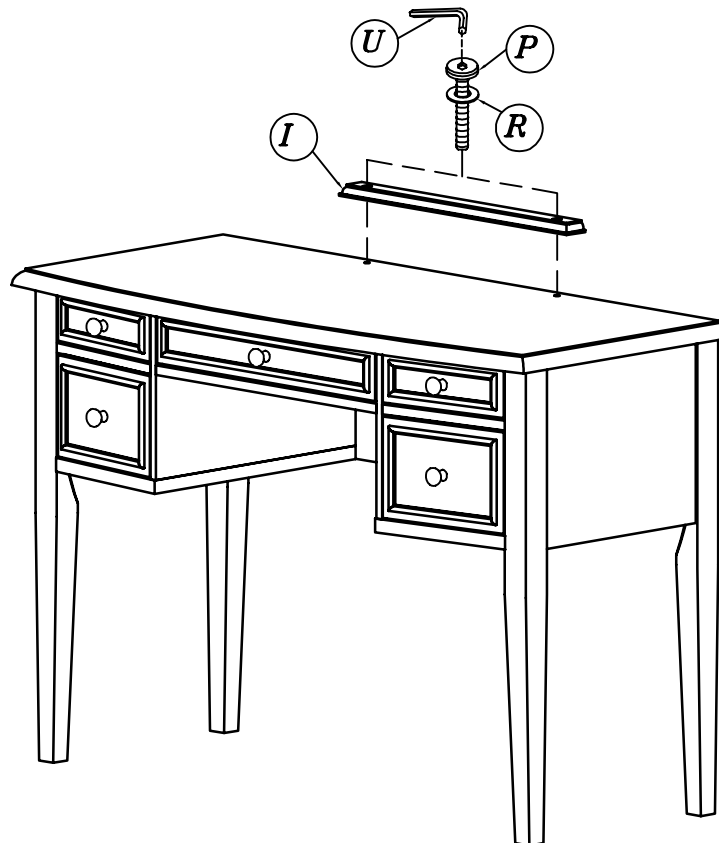


U  
(1 PIECE)

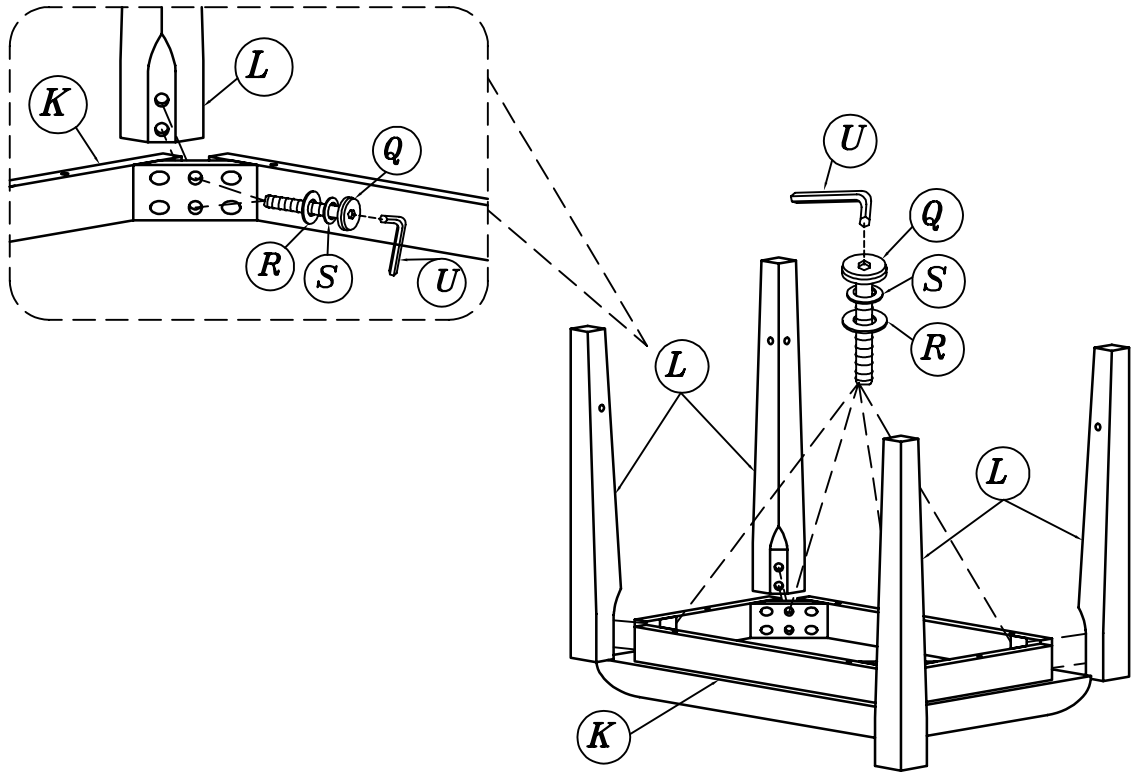
# STEP 1



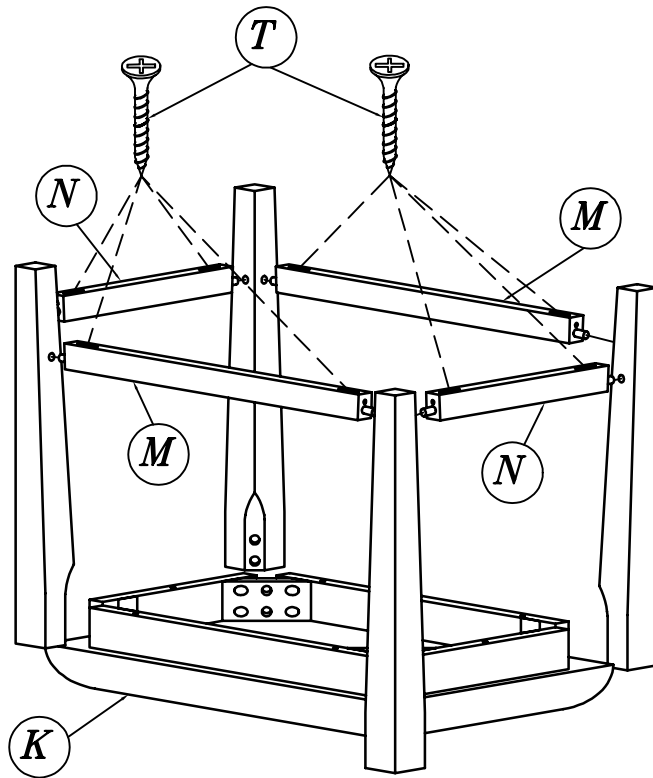
# STEP 2



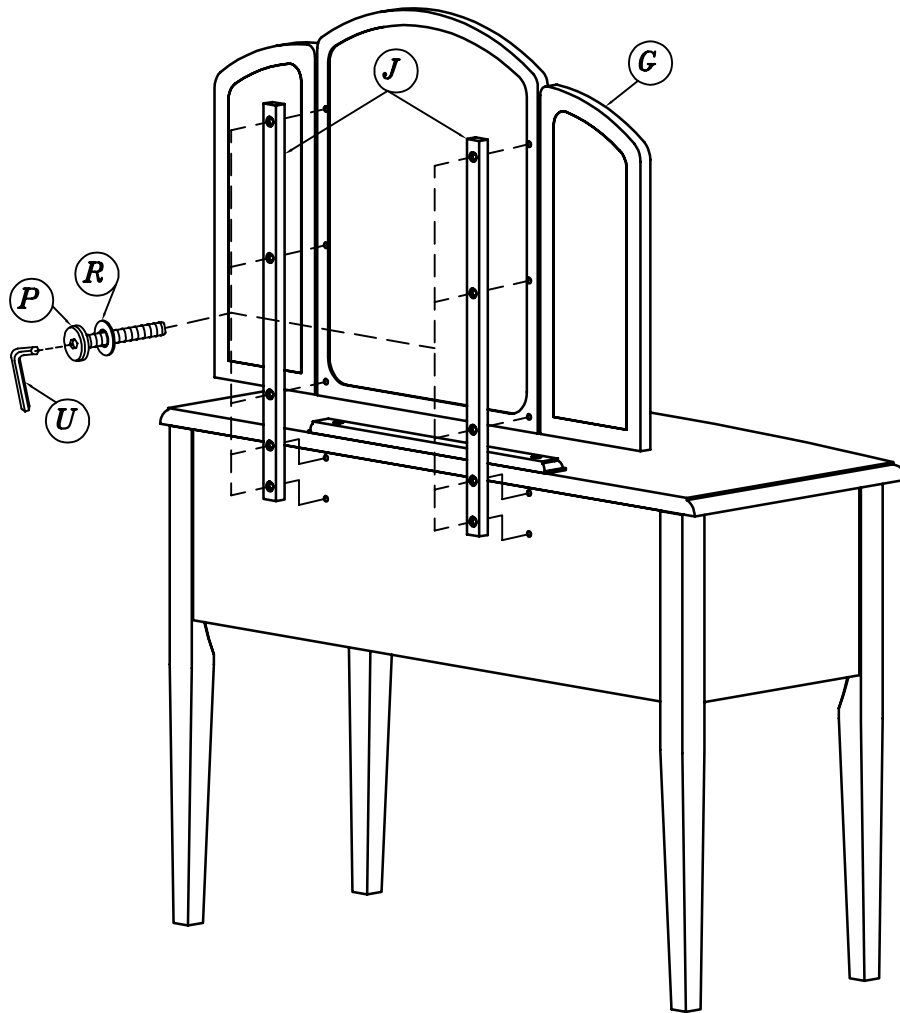
### STEP 3



### STEP 4



# STEP 5



**IF YOU HAVE A PROBLEM, WE WANT TO HAVE THE OPPORTUNITY TO MAKE IT RIGHT !**

Should there be any missing or defective part(s)

**MODEL NO. 502-290**

**Fax this form to (310) 841-0842**

© 2007 POWELL

or call Customer Service at (800) 622 4456 or (310) 204-2224

Have your model number and part code letter handy.

Part letter \_\_\_\_\_ Quantity \_\_\_\_\_

Name \_\_\_\_\_

Address \_\_\_\_\_

Daytime Phone ( ) \_\_\_\_\_

Reason for replacement \_\_\_\_\_

Place of purchase \_\_\_\_\_