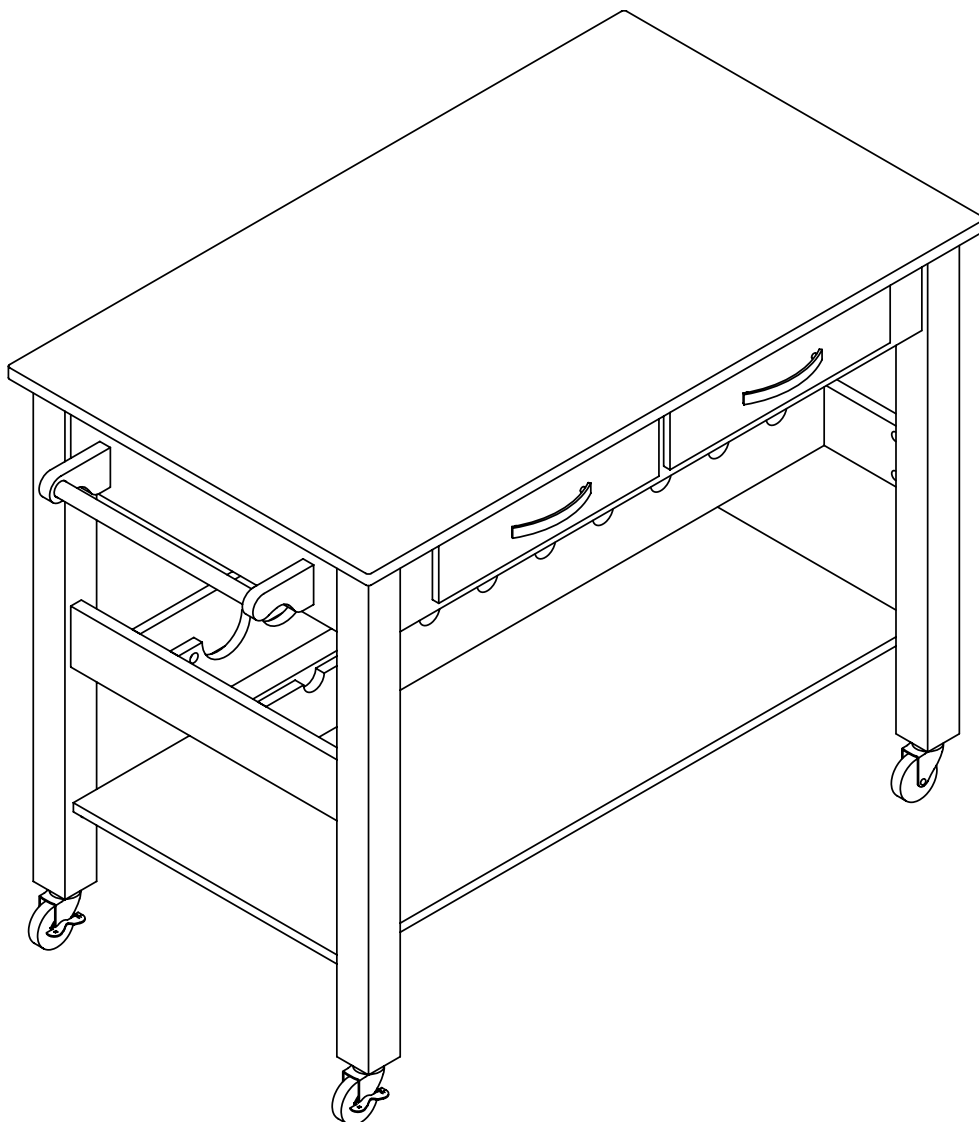


Thank you for purchasing this quality product. Be sure to check all packing material carefully for small parts which may have come loose inside the carton during shipment. Separate, identify, and count all parts and metal hardware. Compare with parts list and hardware illustrations to be sure all parts are present. If any part(s) are missing or damaged, phone, fax, or mail to our Customer Service Department. For efficient and speedy service, please indicate the model number and code letter of part(s) needed.

ATTENTION: SOME LETTERED PARTS LISTED ON THE INSTRUCTION SHEET MAY NOT BE IN PARTS BAG AS THEY MAY ALREADY BE ASSEMBLED. CAREFULLY CHECK PARTS AND PACKING MATERIALS PRIOR TO ORDERING REPLACEMENTS. PRODUCT MUST BE COMPLETED BEFORE FULLY TIGHTENING SCREWS

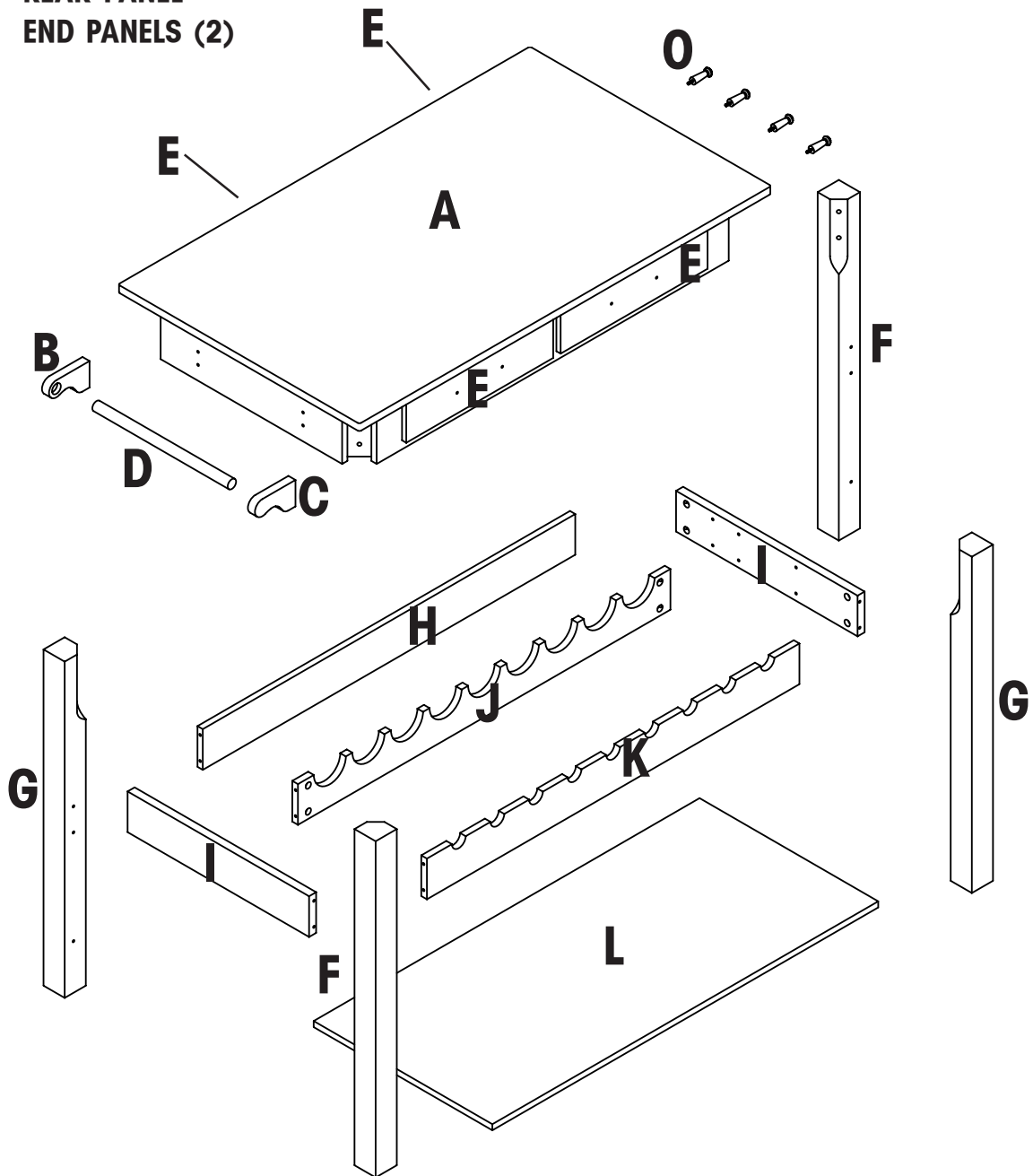
NOTE: Some synthetic floors may have a chemical reaction with the rubber casters used on this product. Please check your warranty instructions from your flooring supplier to verify their product is safe to use with carts that use casters.

Tools Required for assembly: Allen/Hex Wrench(included); Phillips Screwdriver (not included).

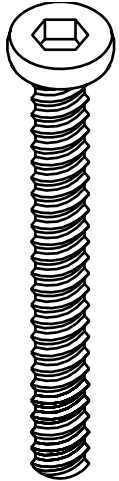


PARTS

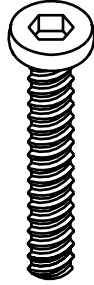
- (A) TOP PANEL
- (B) LEFT SUPPORT
- (C) RIGHT SUPPORT
- (D) HANDLE
- (E) DRAWERS (4)
- (F) LEFT LEGS (2)
- (G) RIGHT LEGS (2)
- (H) REAR PANEL
- (I) END PANELS (2)
- (J) REAR BOTTLE RACK
- (K) FRONT BOTTLE RACK
- (L) SHELF
- (M) CASTERS (2)
- (N) LOCKING CASTERS (2)
- (O) DECORATIONS (4)



HARDWARE



P
(8 PIECES)



Q
(4 PIECES)



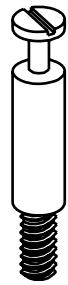
R
(8 PIECES)



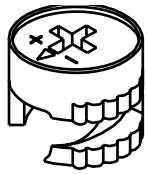
S
(8 PIECES)



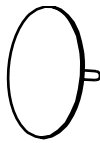
T
(4 PIECES)



U
(16 PIECES)



V
(16 PIECES)



W
(16 PIECES)



X
(8 PIECES)



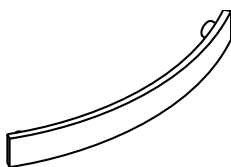
Y
(8 PIECES)



Z
(4 PIECES)



Aa
(4 PIECES)



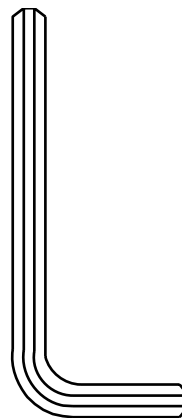
Bb
(4 PIECES)



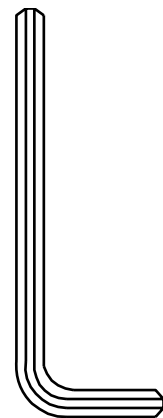
Cc
(4 PIECES)



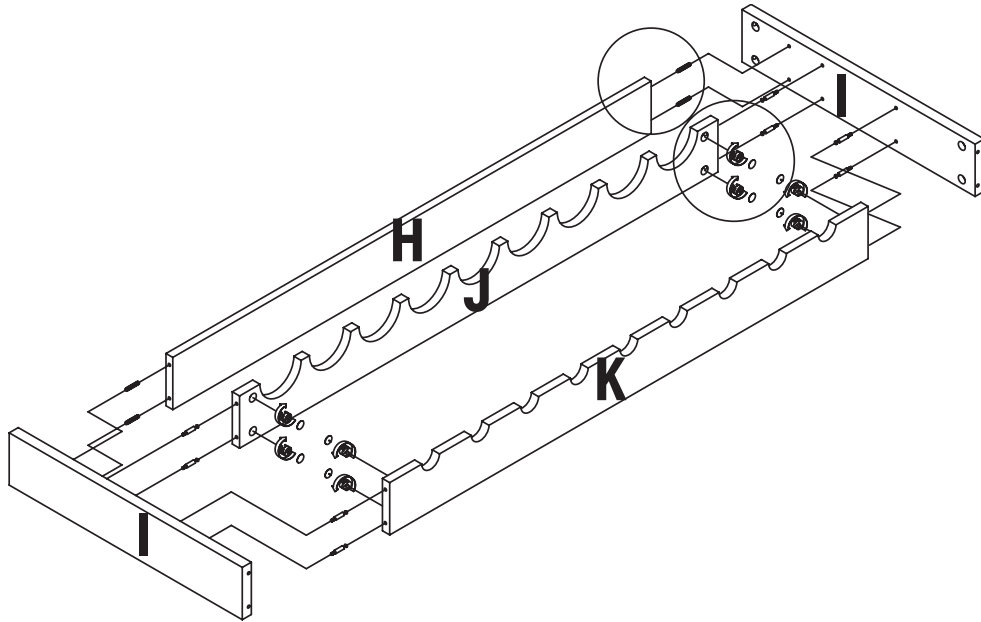
Dd
(1 PIECE)



Ee
(1 PIECE)

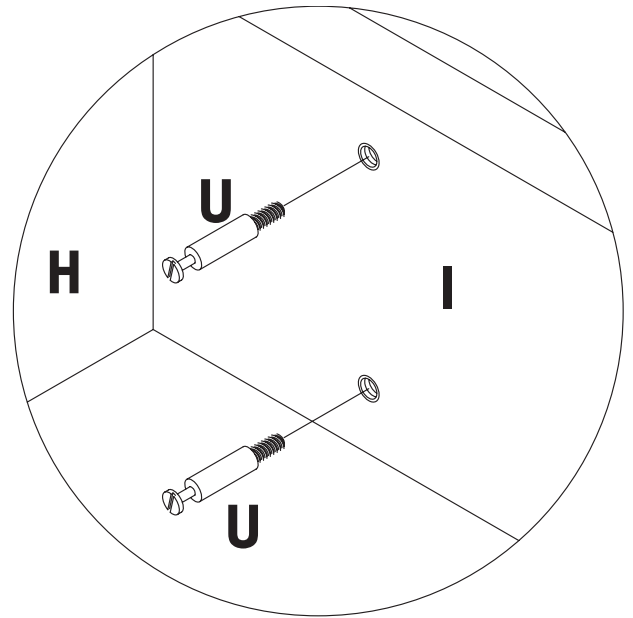
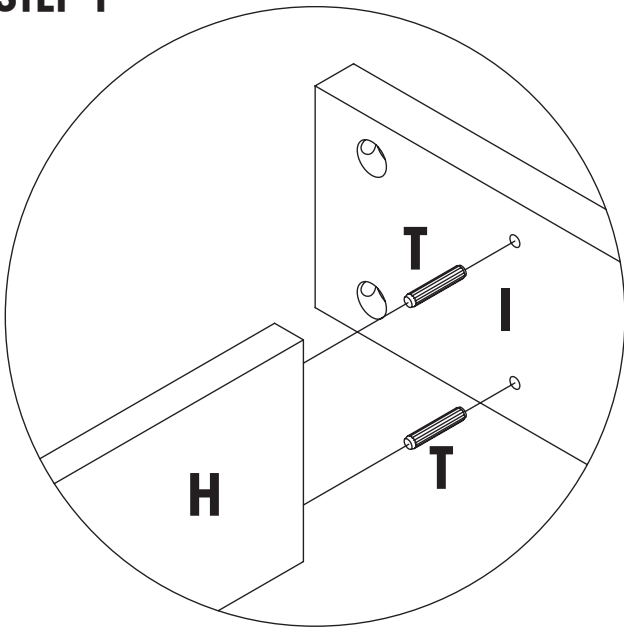


Ff
(1 PIECE)



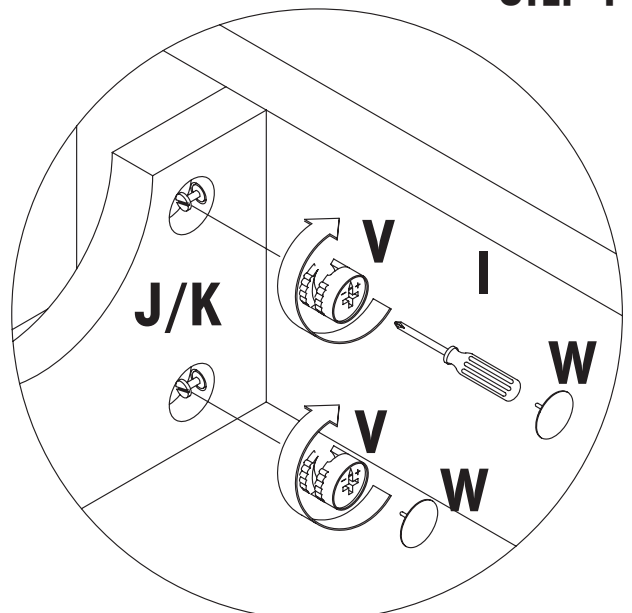
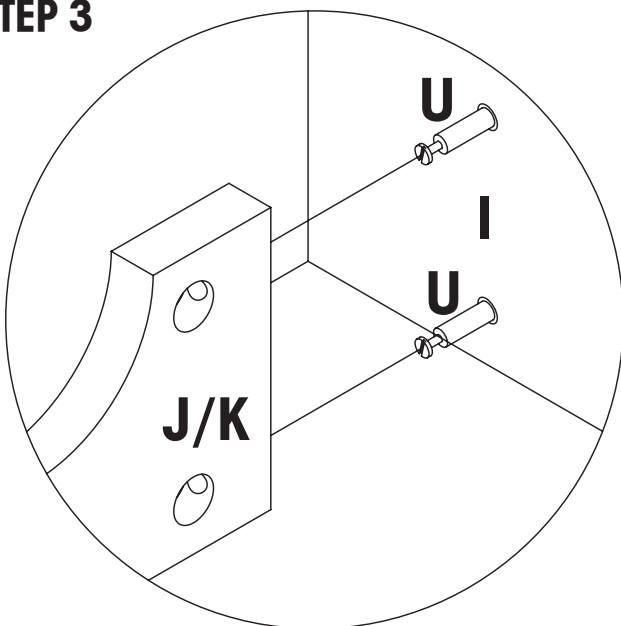
STEP 1

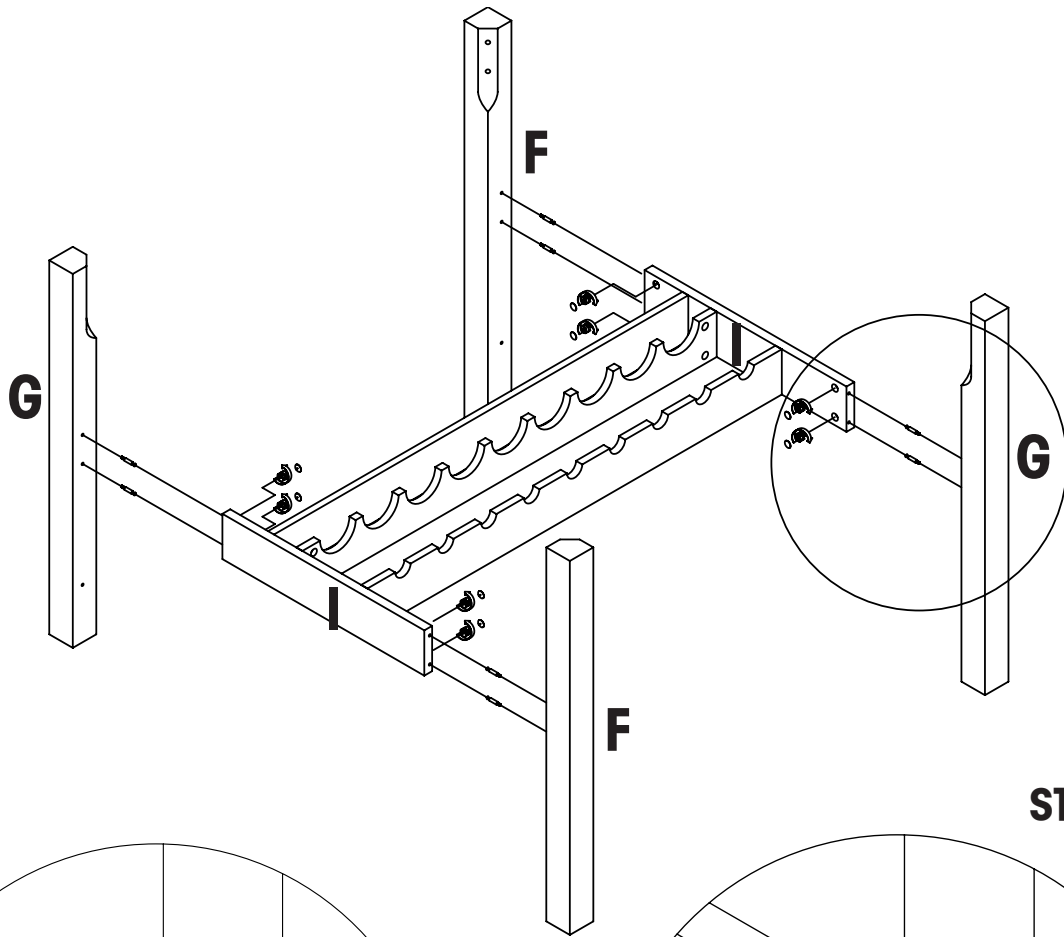
STEP 2



STEP 3

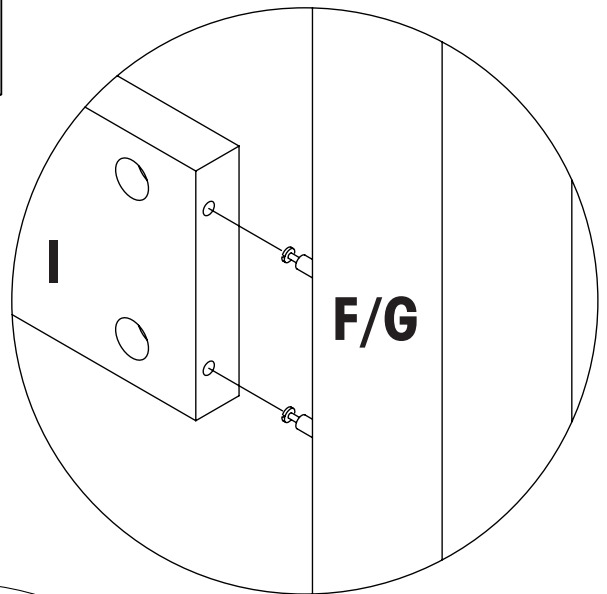
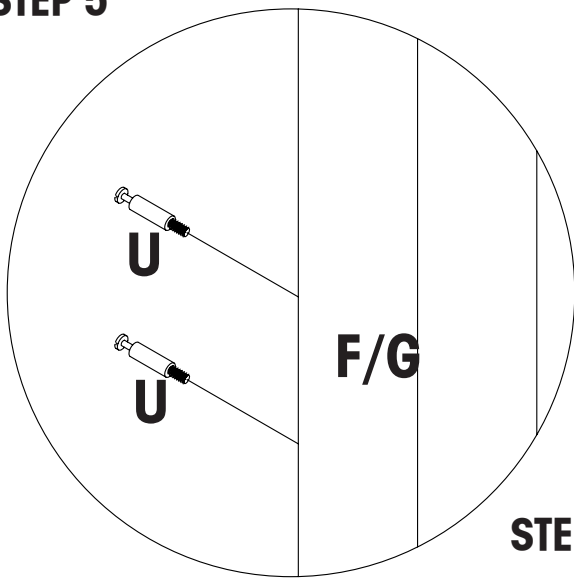
STEP 4





STEP 5

STEP 6



STEP 7

