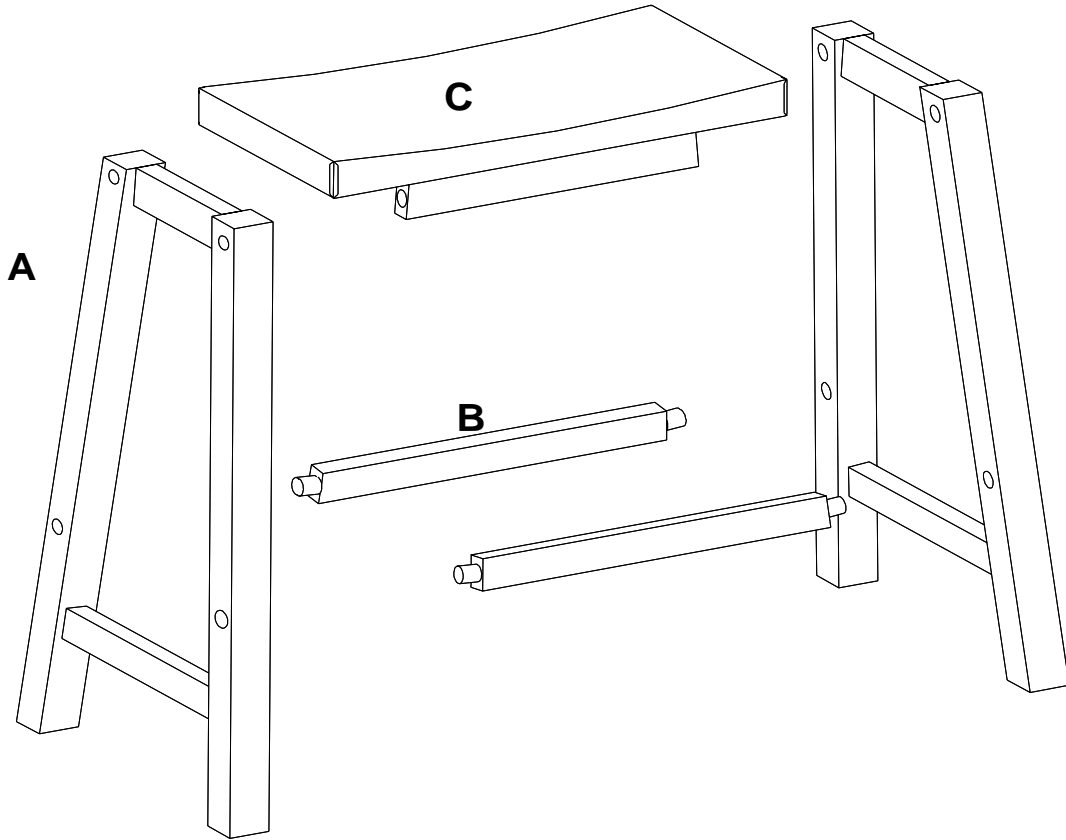


PARTS

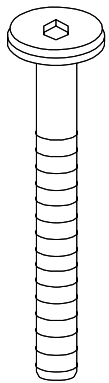
(A) SIDE FRAME(L&R) (2)

(C) TOP PANEL

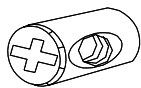
(B) STRETCHER LEGS (2)



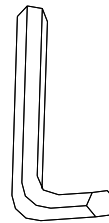
HARDWARE



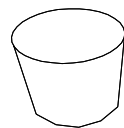
**D
(8PCS)**



**E
(8PCS)**

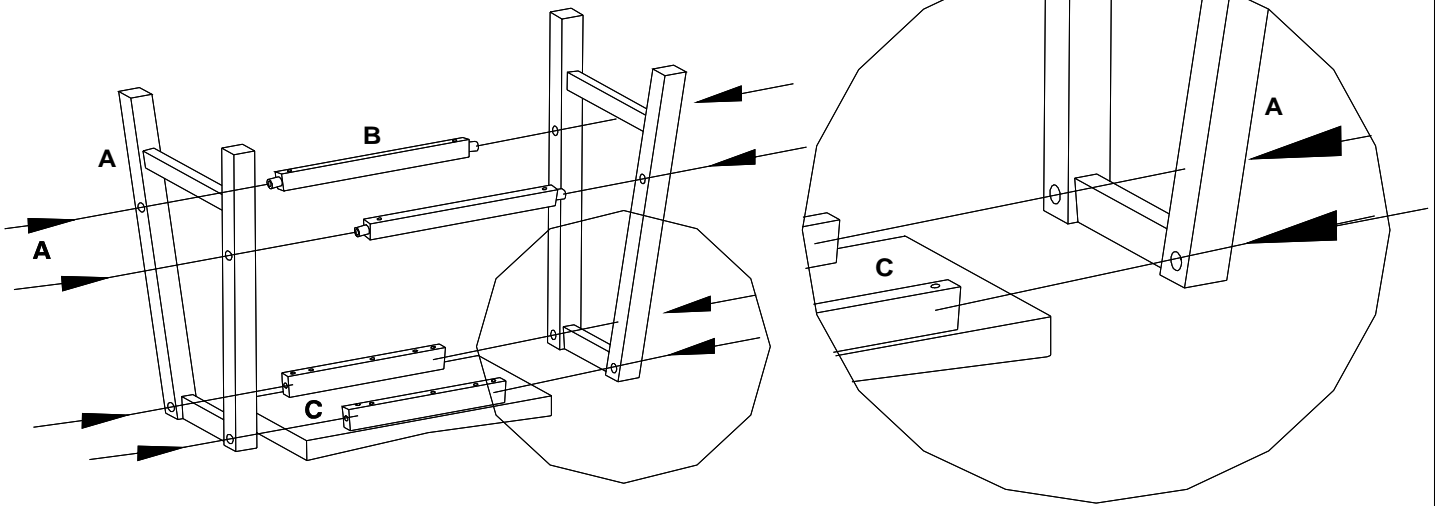


**F
(1PCS)**

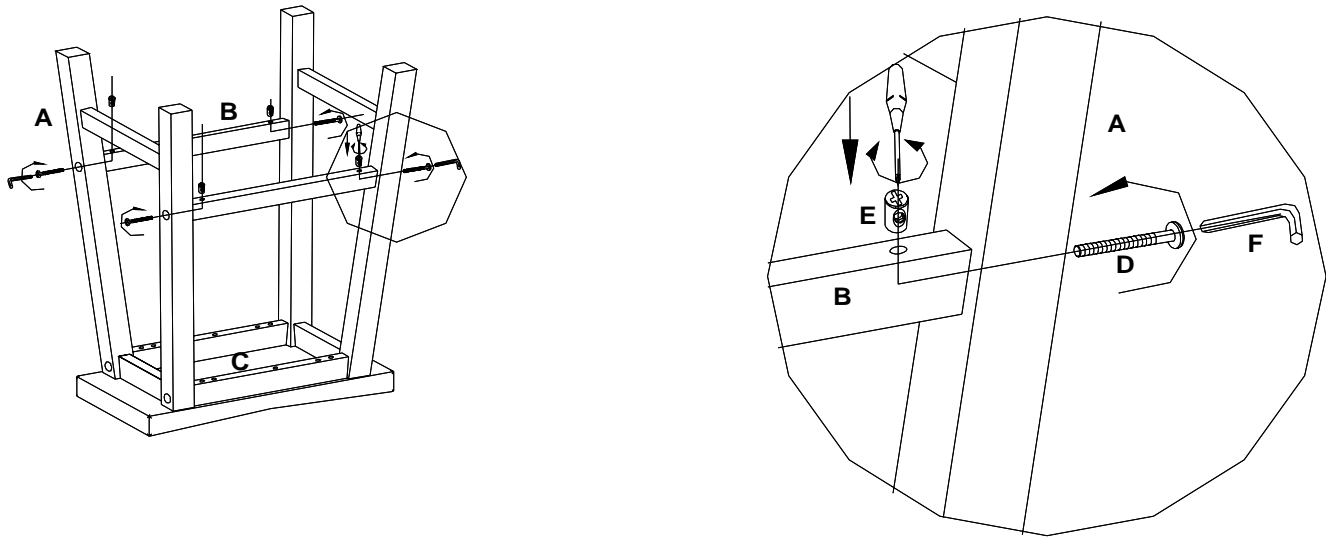


**G
(8PCS)**

STEP 1



STEP 2



STEP 3

