

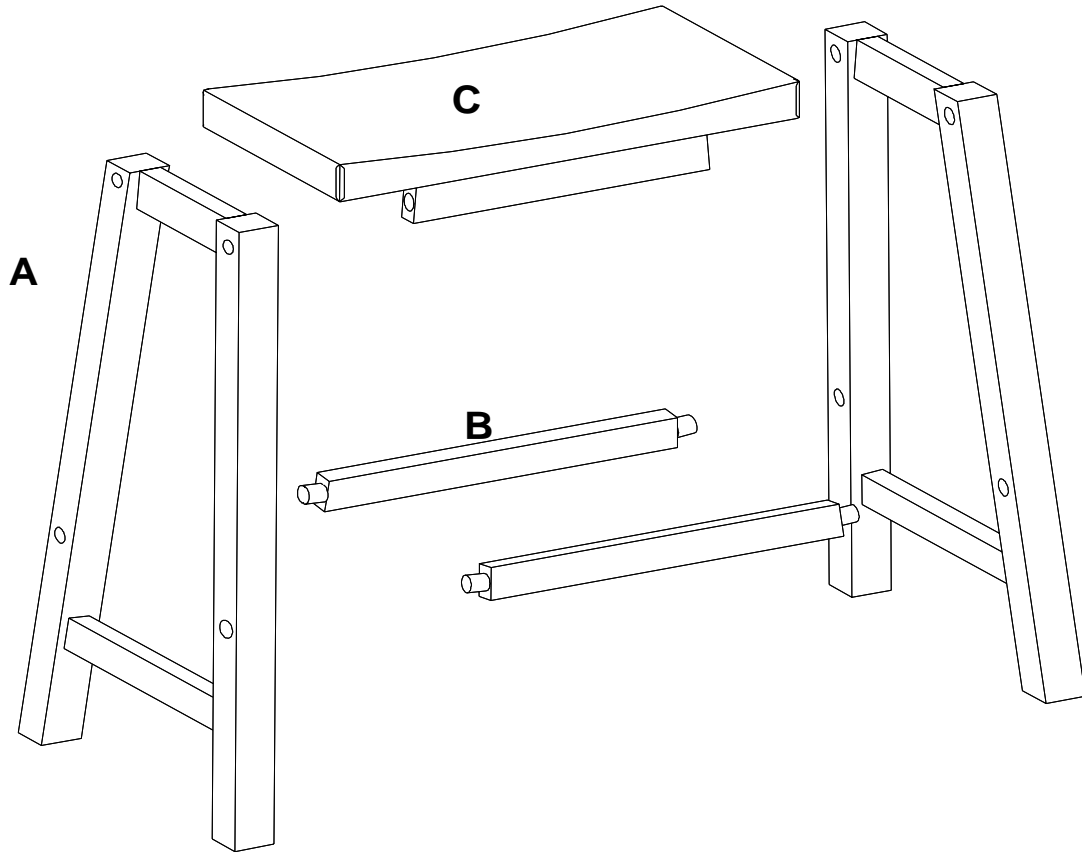


# PARTS

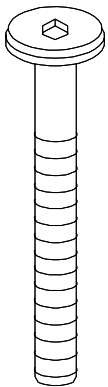
**(A) SIDE FRAME(L&R) (2)**

**(C) TOP PANEL**

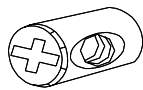
**(B) STRETCHER LEGS (2)**



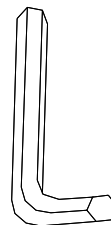
# HARDWARE



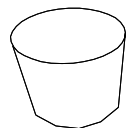
**D  
(8PCS)**



**E  
(8PCS)**

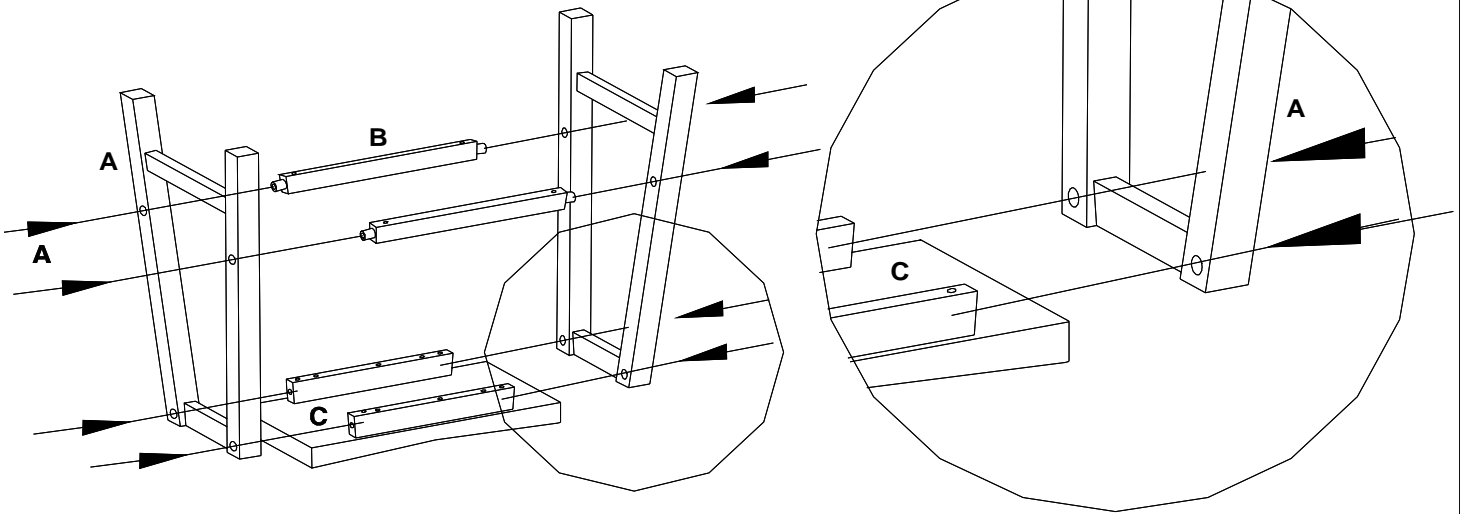


**F  
(1PCS)**

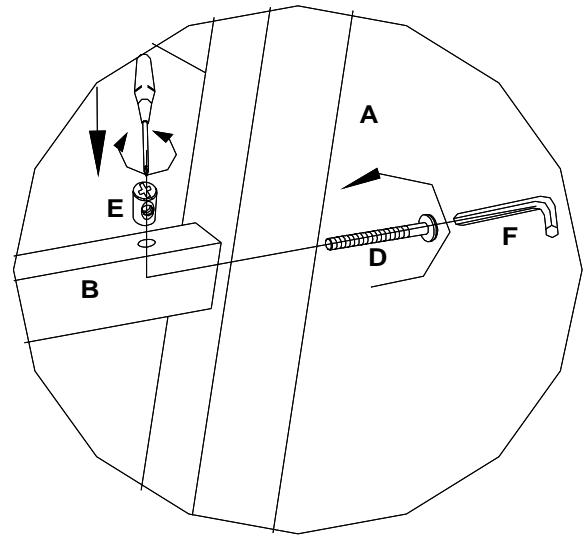
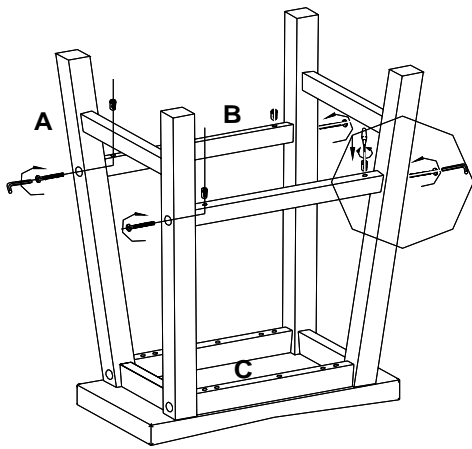


**G  
(8PCS)**

### STEP 1



### STEP 2



### STEP 3

