



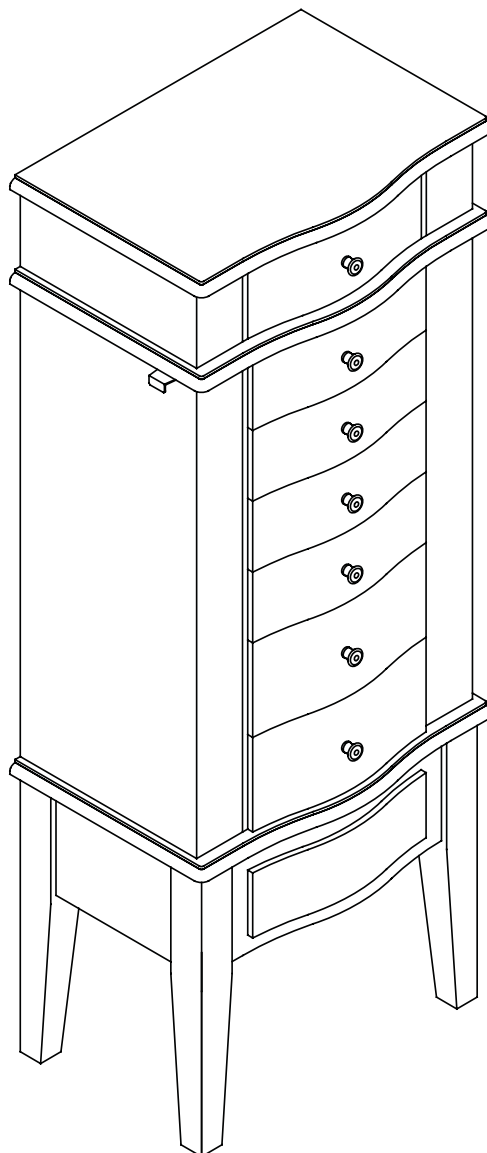
ASSEMBLY INSTRUCTIONS (LX)
MODEL NO. 429-317/P1 *WARM CHERRY*

Made in China **604-317/P1** *WOODLAND OAK*

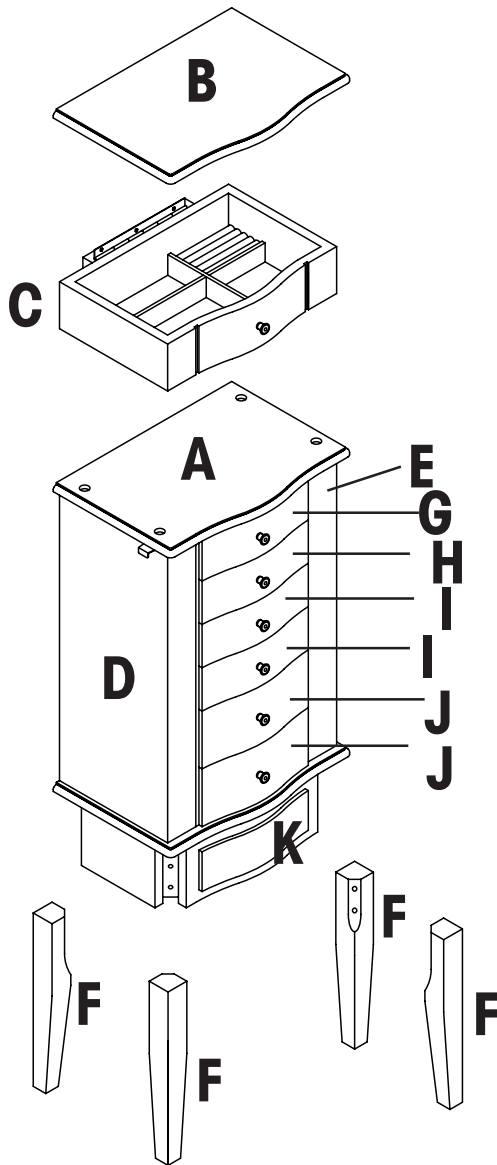
Thank you for purchasing this Powell product. We want to make sure it is complete and to your satisfaction. Please check all packing material carefully for small parts which may have come loose inside the carton during shipment. Hardware can be identified by bright red packaging, Separate, identify, and count all parts and hardware to make sure they match with the illustrations herein and are all present. If any part(s) are missing or defective please contact Powell Customer Service. Contact information is given at the bottom of these instructions. If you feel the item is defective beyond a resolution with part replacements, please return this product with your receipt to the place of purchase. If purchased from an internet retailer, please contact their customer service department. Photo's and additional information may be requested to validate the claim. Product is not to be returned to the Powell Company under any circumstance unless authorized by the Powell Company or an authorized dealer or representative. Thank you.

ATTENTION: SOME LETTERED PARTS LISTED ON THE INSTRUCTION SHEET MAY NOT BE IN PARTS BAG AS THEY MAY ALREADY BE ASSEMBLED. CAREFULLY CHECK PARTS AND PACKING MATERIALS PRIOR TO ORDERING REPLACEMENTS.

Tools Required for assembly: Phillips Screwdriver (not included)

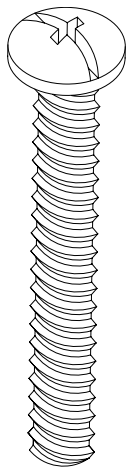


PARTS

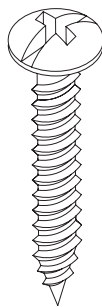


- (A) ARMOIRE
- (B) TOP PANEL
- (C) TOP COMPARTMENT
- (D) LEFT DOOR
- (E) RIGHT DOOR
- (F) LEGS (4)
- (G) SMALL DRAWER WITH 9 SQUARES
- (H) SMALL DRAWER WITH 6 SQUARES
- (I) SMALL DRAWERS (2)
- (J) LARGE DRAWERS (2)
- (K) BOTTOM DRAWER

HARDWARE



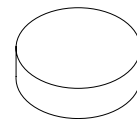
L
(8 PIECES)



M
(3 PIECES)

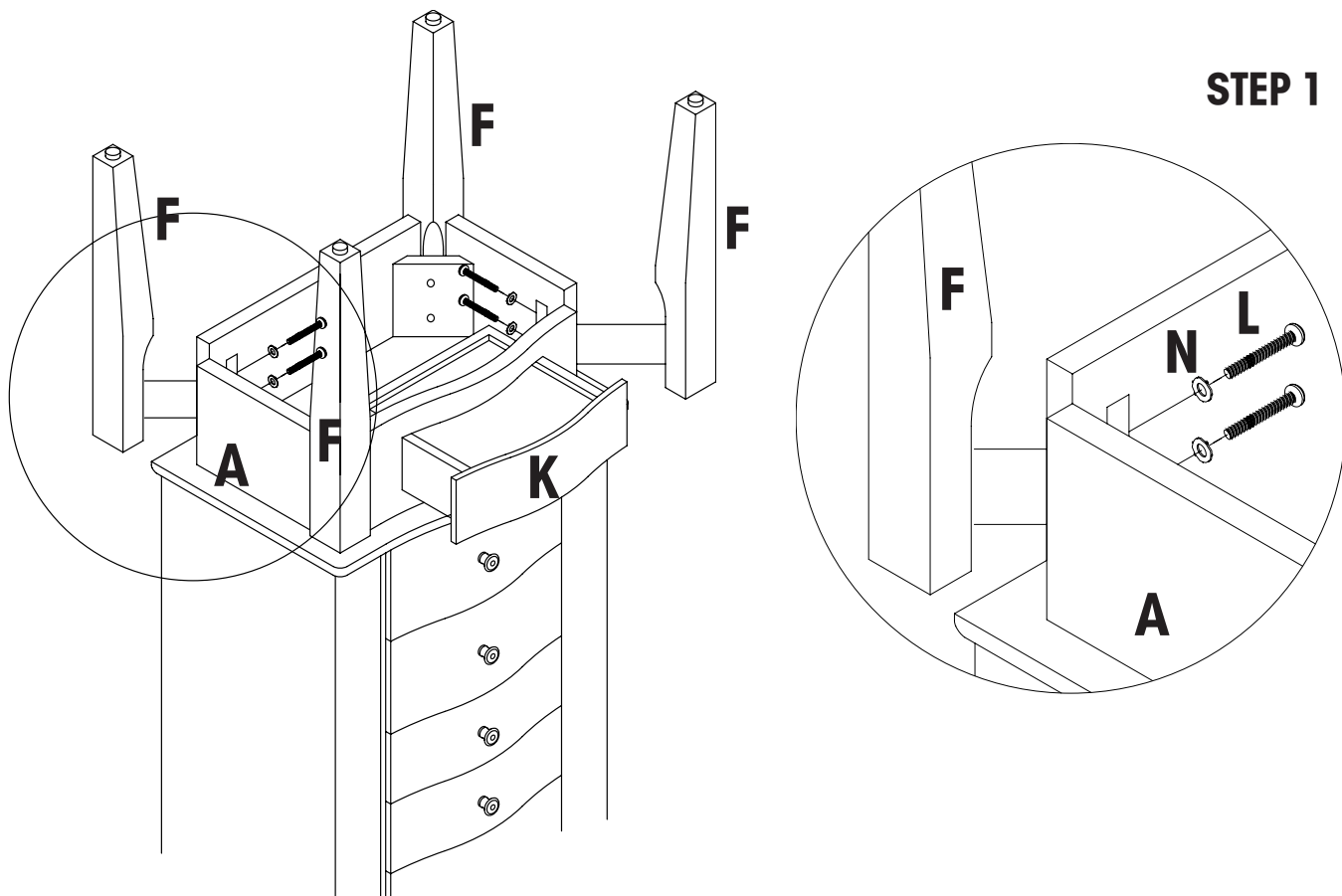


N
(8 PIECES)



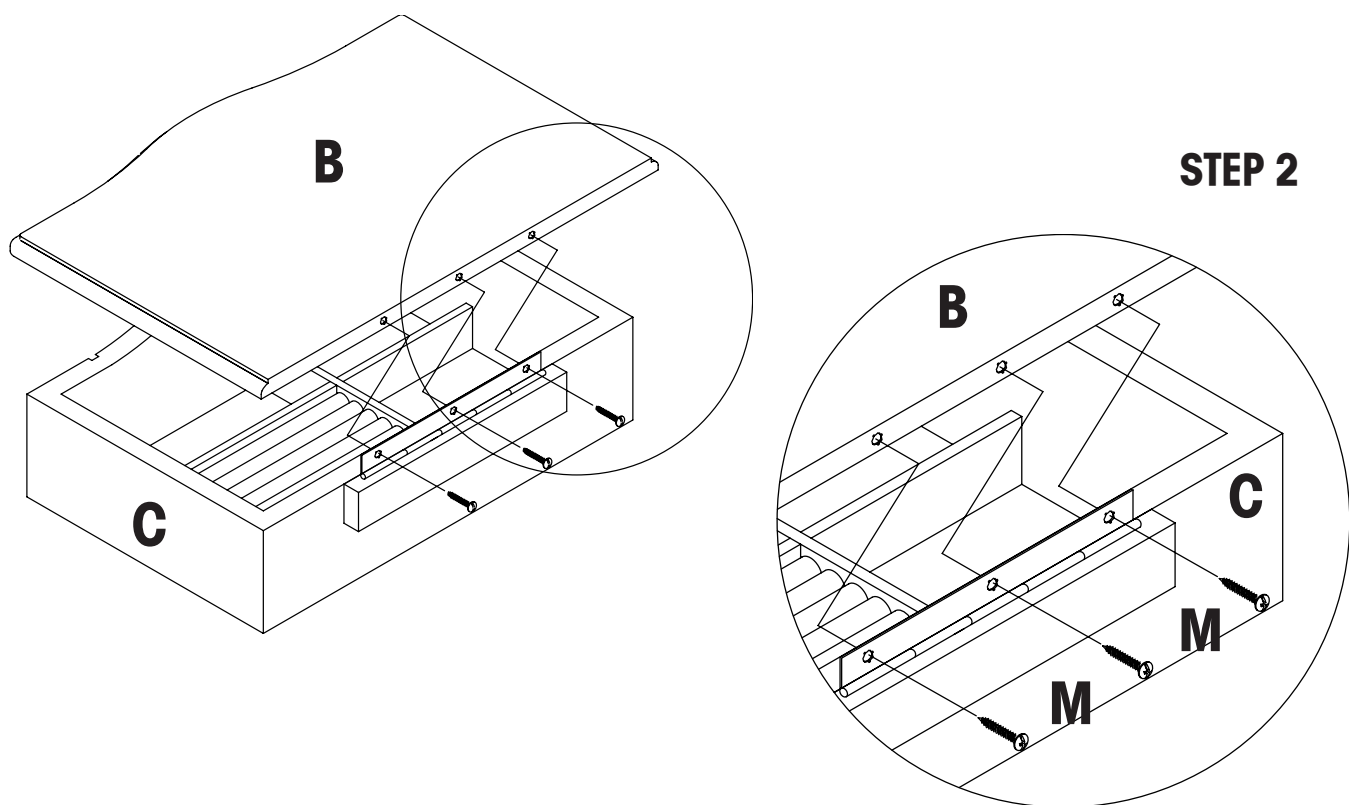
O
(2 PIECES)

STEP 1

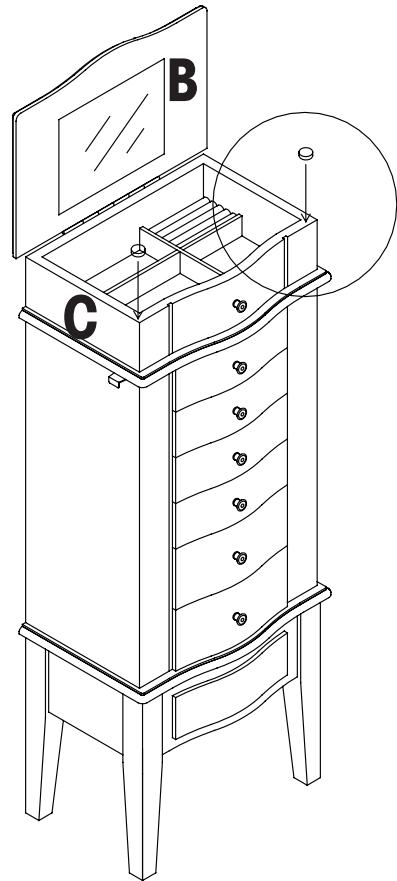
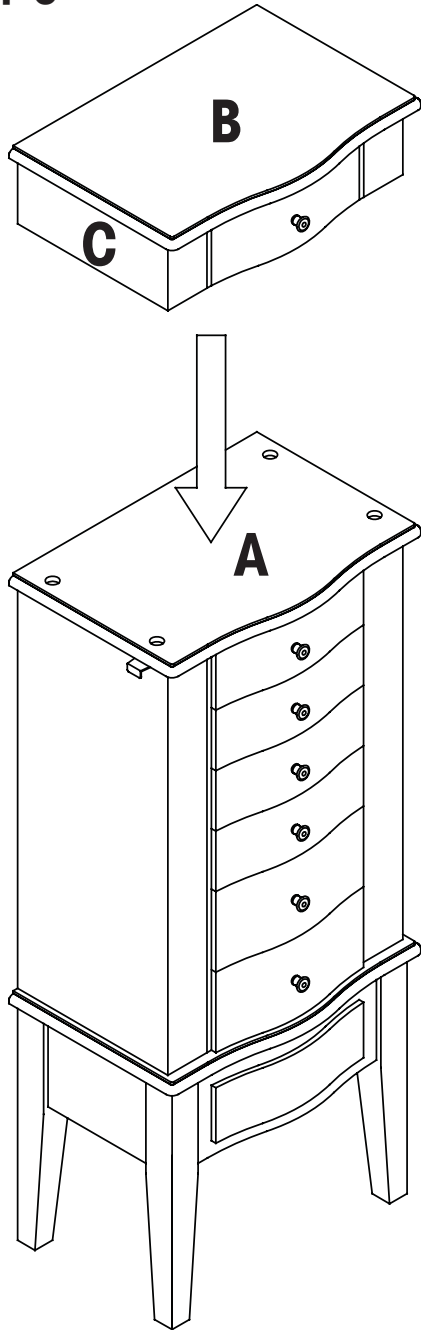


CAUTION - TO PREVENT ACCIDENTAL DAMAGE TO DRAWERS OR DOORS, DO NOT ALLOW DRAWERS TO SLIDE OR DOORS TO OPEN DURING ASSEMBLY.

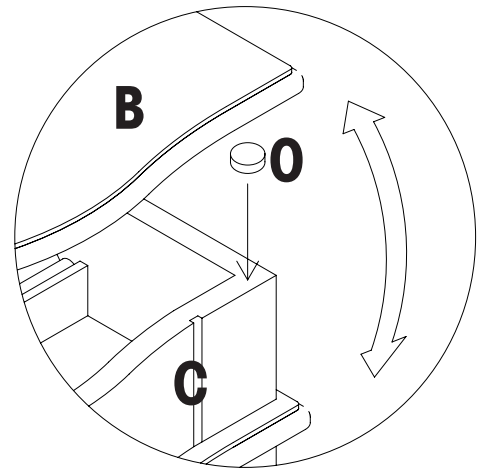
STEP 2



STEP 3



STEP 4



Should there be any missing or defective part(s), **place your part order on line at www.powellcompany.com**, or fax this form to (310)841-0842, or call Customer Service at (800) 622-4456, PLEASE HAVE THE MODEL NUMBER, PART CODE AND FACTORY CODE IDENTIFIED

MODEL NO. 429-317/P1 WARM CHERRY
604-317/P1 WOODLAND OAK

Part Letter _____ Quantity _____

Name _____

Address _____

City _____ State _____ Zip _____

Reason for replacement _____

(No Post Office Box Addresses)

Best contact phone number(_____) _____

Place of purchase _____

Factory Code (LX)

Date of purchase _____

© 2008 Powell

Made in China

Rev. 8/12/08