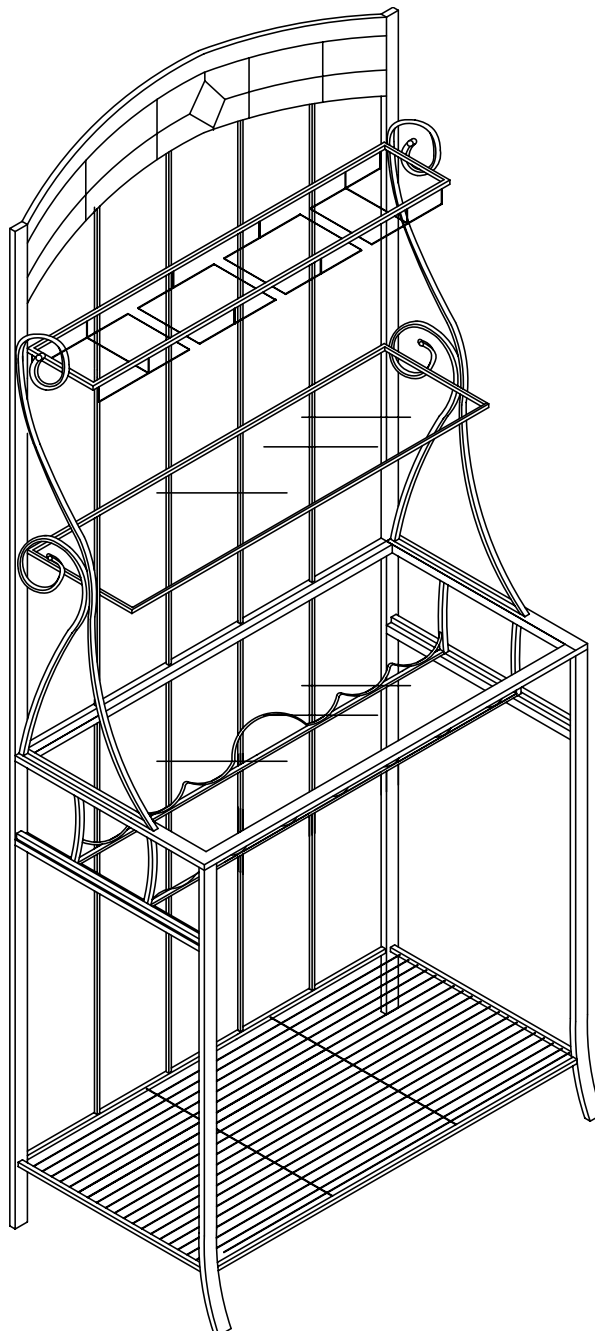


Thank you for purchasing this quality product. Be sure to check all packing material carefully for small parts which may have come loose inside the carton during shipment. Separate, identify, and count all parts and metal hardware. Compare with parts list and hardware illustrations to be sure all parts are present. If any part(s) are missing or damaged, phone, fax, or mail to our Customer Service Department. For efficient and speedy service, please indicate the model number and code letter of part(s) needed.

ATTENTION: SOME LETTERED PARTS LISTED ON THE INSTRUCTION SHEET MAY NOT BE IN PARTS BAG AS THEY MAY ALREADY BE ASSEMBLED. CAREFULLY CHECK PARTS AND PACKING MATERIALS PRIOR TO ORDERING REPLACEMENTS. PRODUCT MUST BE COMPLETED BEFORE FULLY TIGHTENING SCREWS

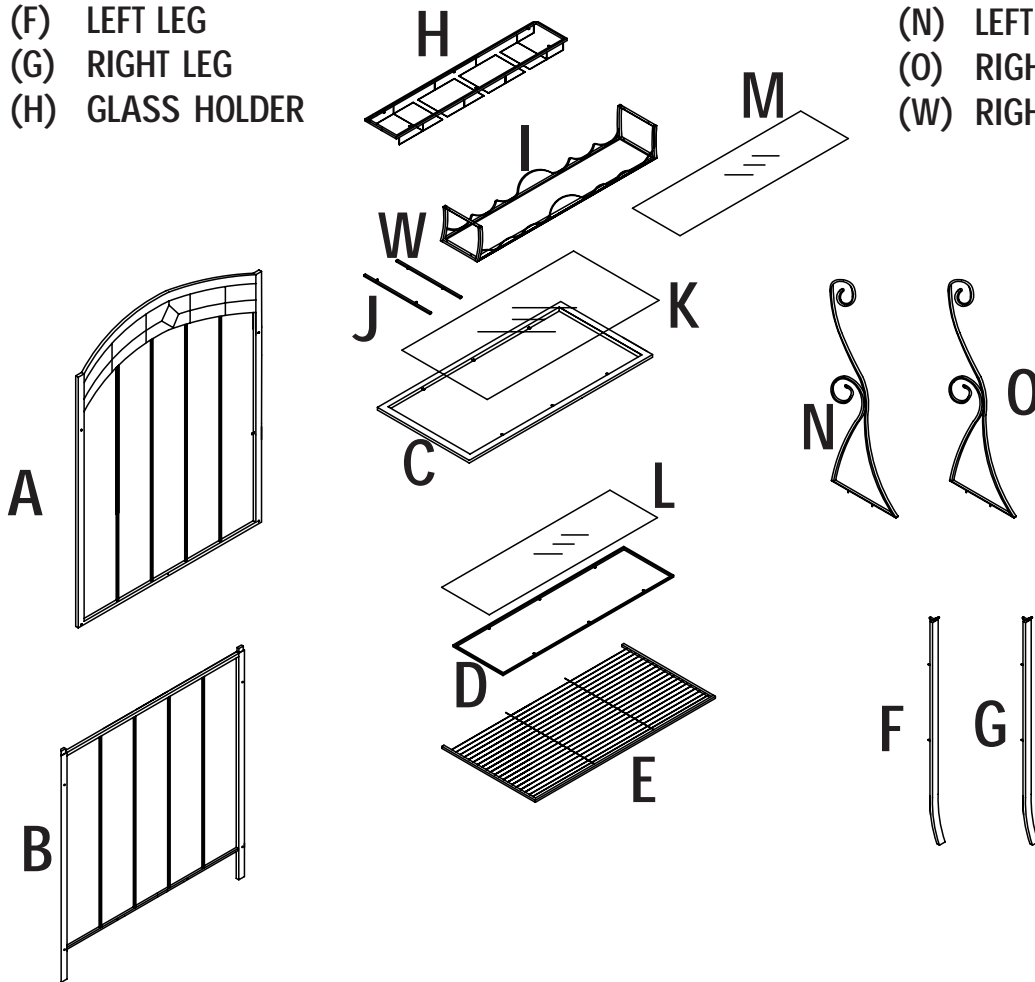
Tools Required for assembly: Allen Wrench (included).



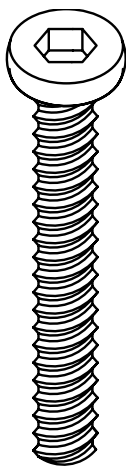
# PARTS

- (A) UPPER PANEL
- (B) LOWER PANEL
- (C) LARGE FRAME
- (D) SMALL FRAME
- (E) BOTTOM PANEL
- (F) LEFT LEG
- (G) RIGHT LEG
- (H) GLASS HOLDER

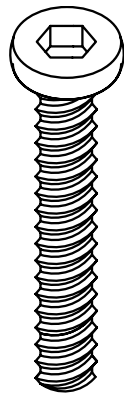
- (I) BOTTLE HOLDER
- (J) LEFT CROSS BRACE
- (K) LARGE GLASS
- (L) MIDDLE GLASS
- (M) SMALL GLASS
- (N) LEFT PANEL
- (O) RIGHT PANEL
- (W) RIGHT CROSS BRACE



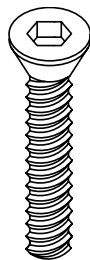
# HARDWARE



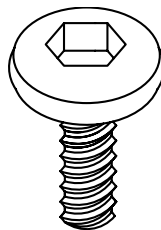
**P**  
(4 PCS)



**Q**  
(11 PCS)



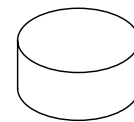
**R**  
(4 PCS)



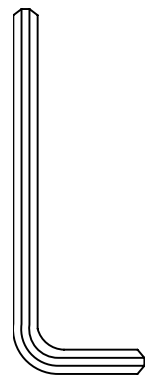
**S**  
(16 PCS)



**T**  
(2 PCS)

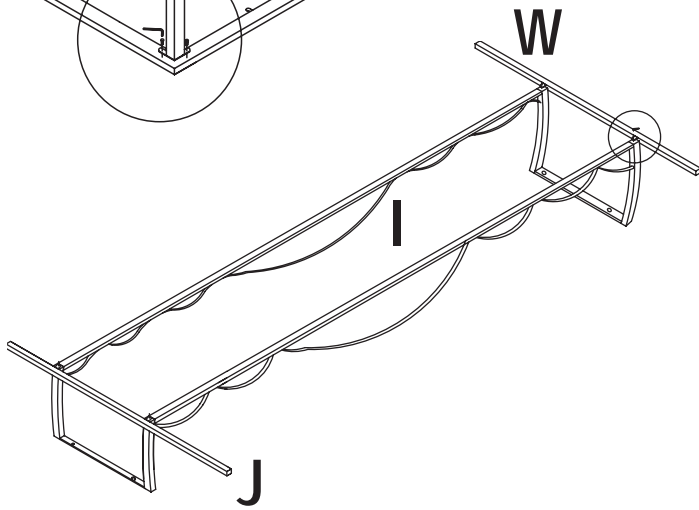
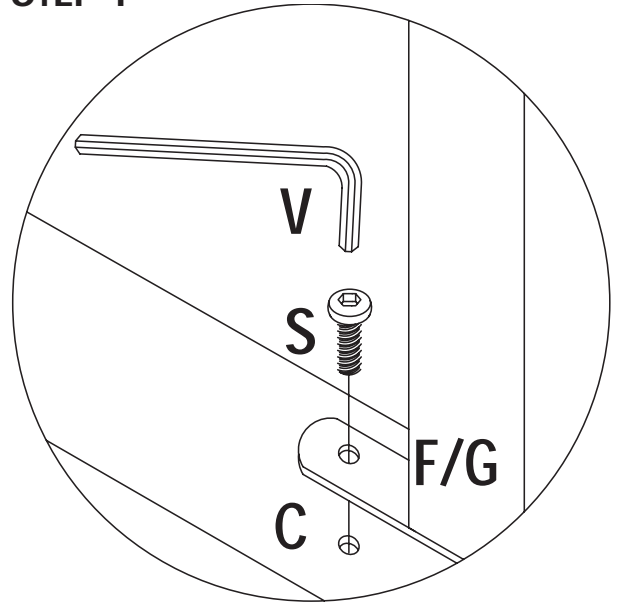
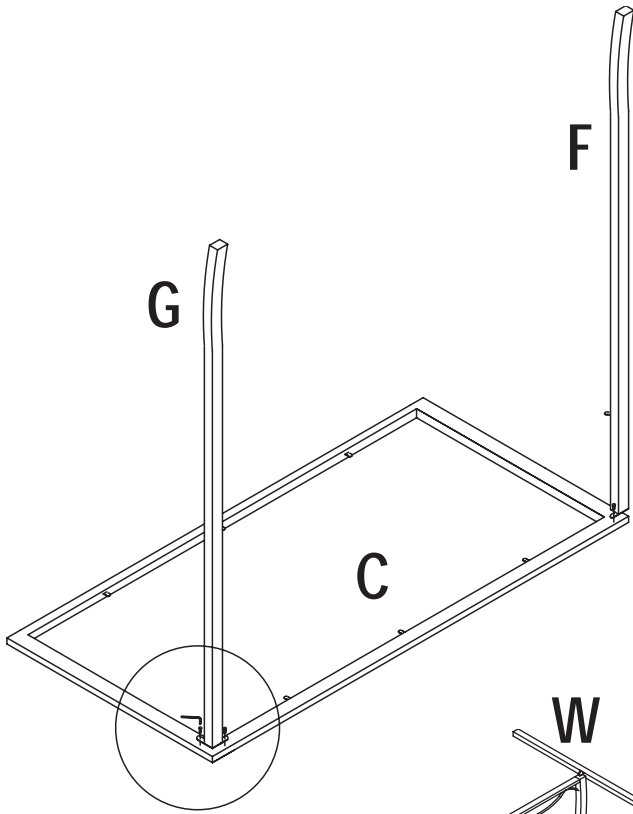


**U**  
(18 PCS)

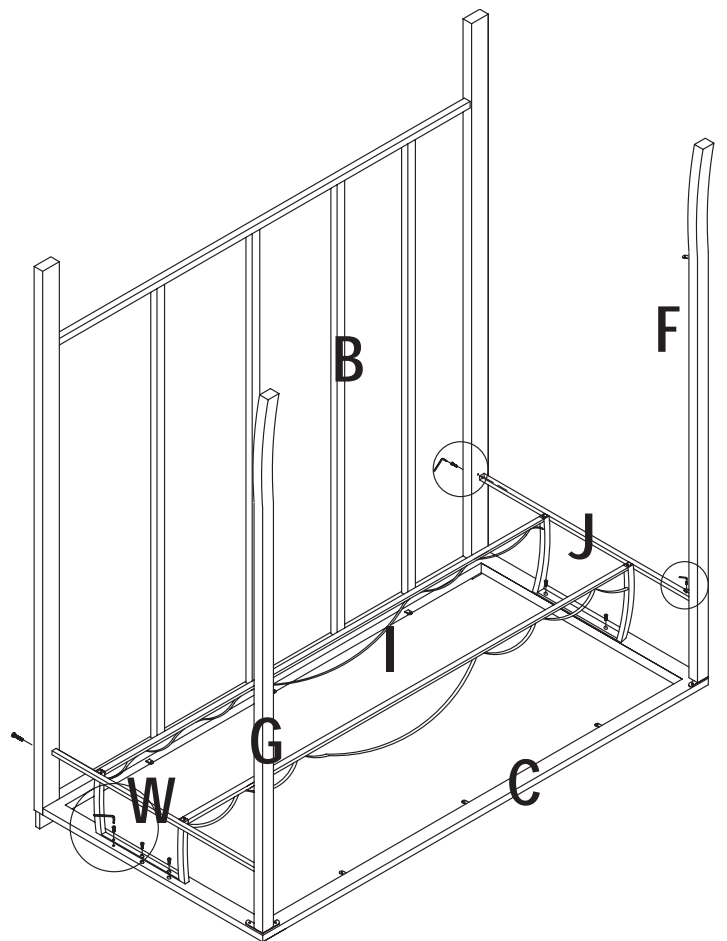
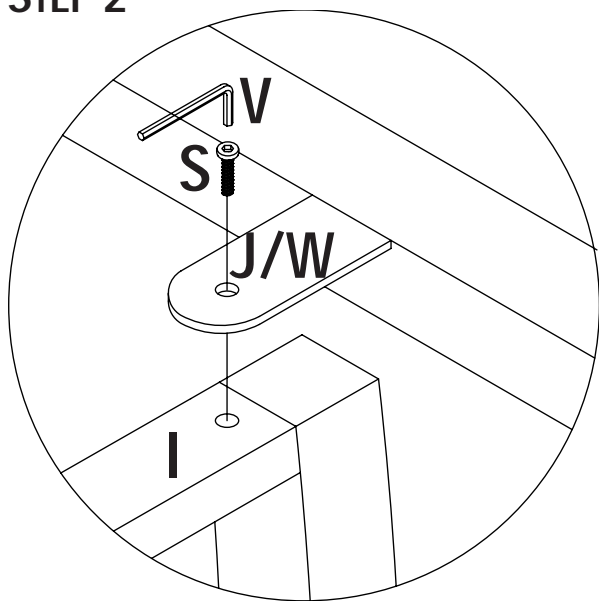


**V**  
(1 PC)

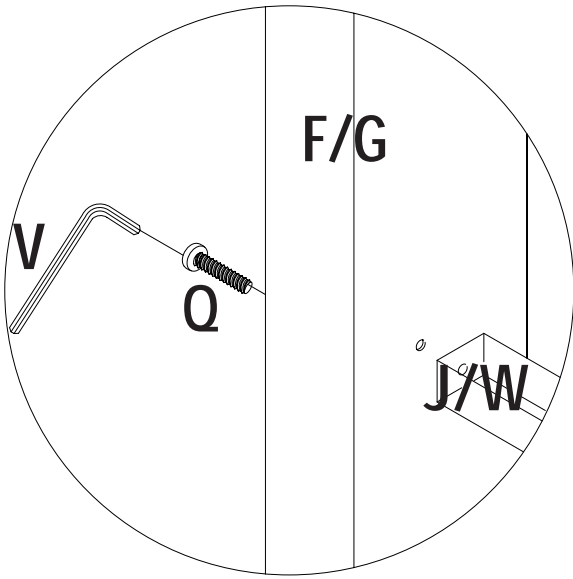
STEP 1



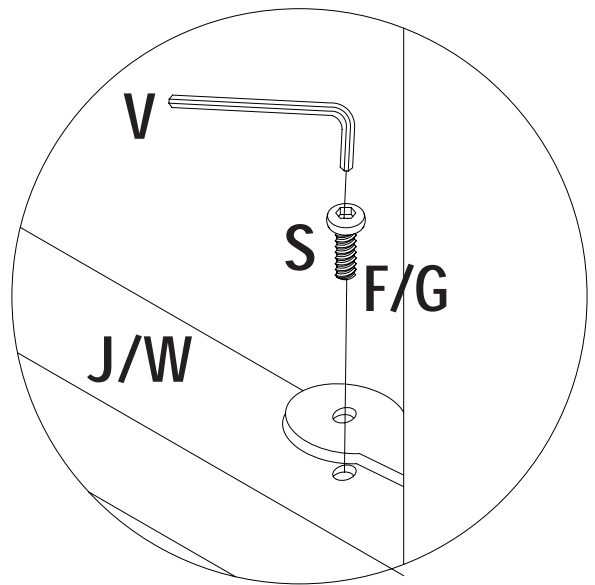
STEP 2



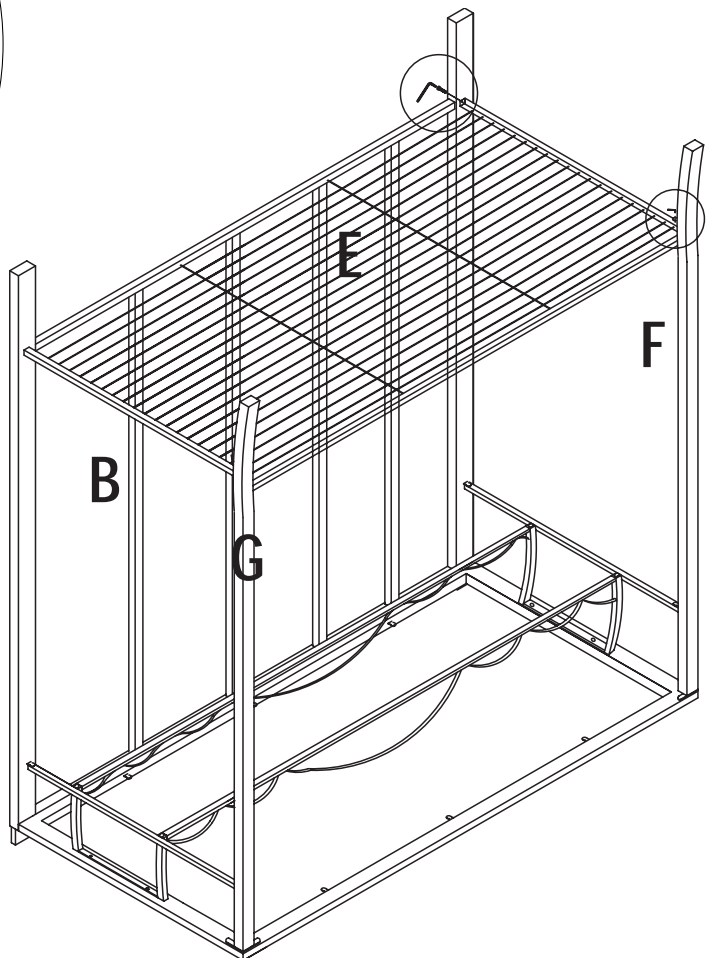
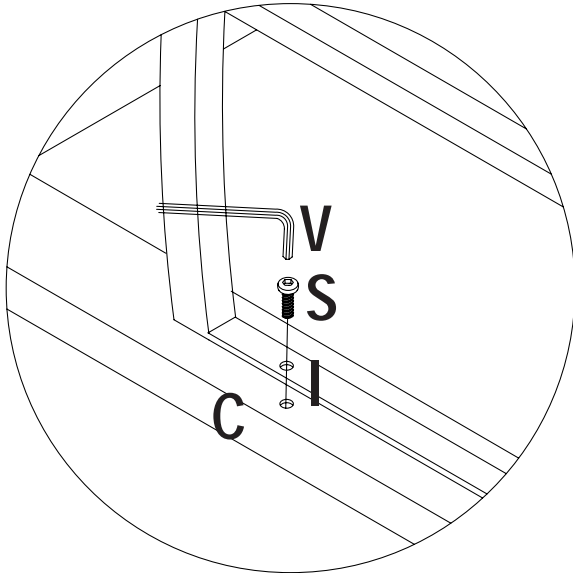
**STEP 3**



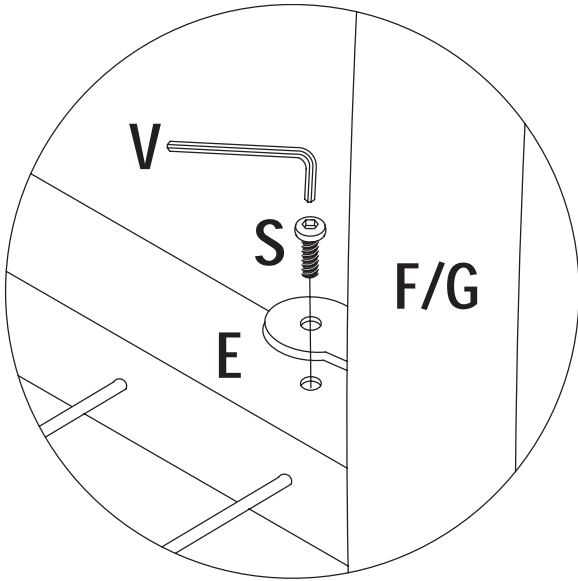
**STEP 4**



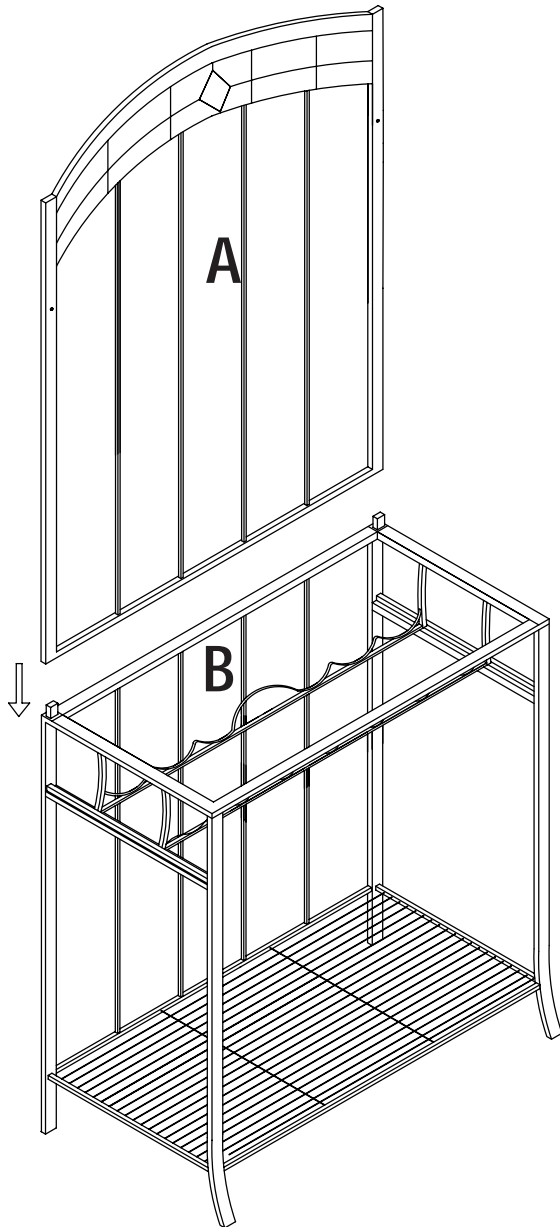
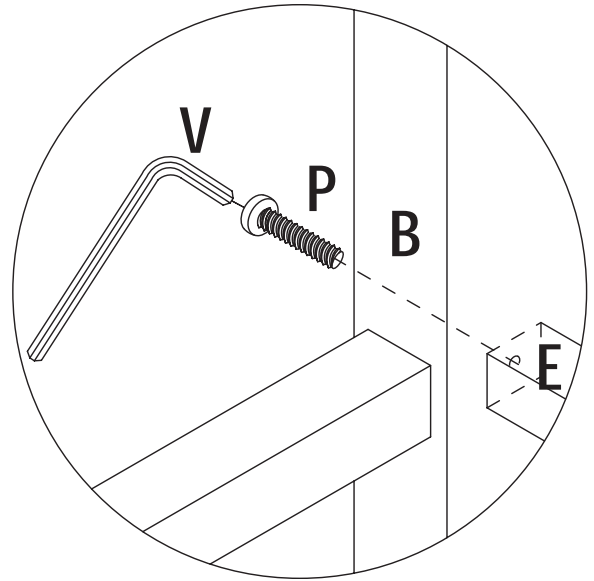
**STEP 5**



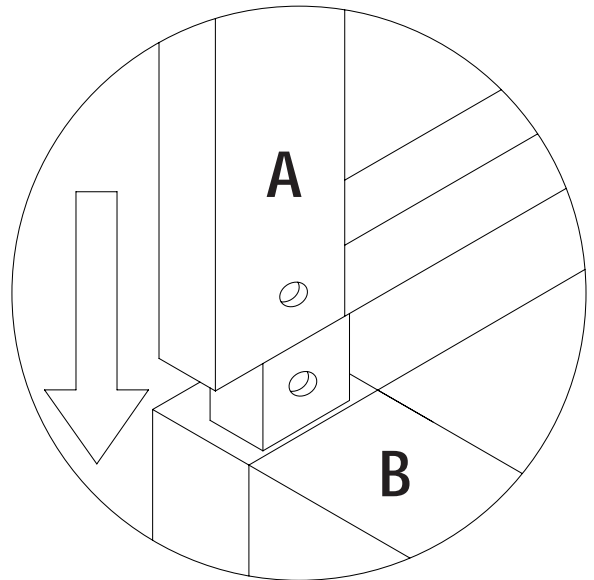
**STEP 6**



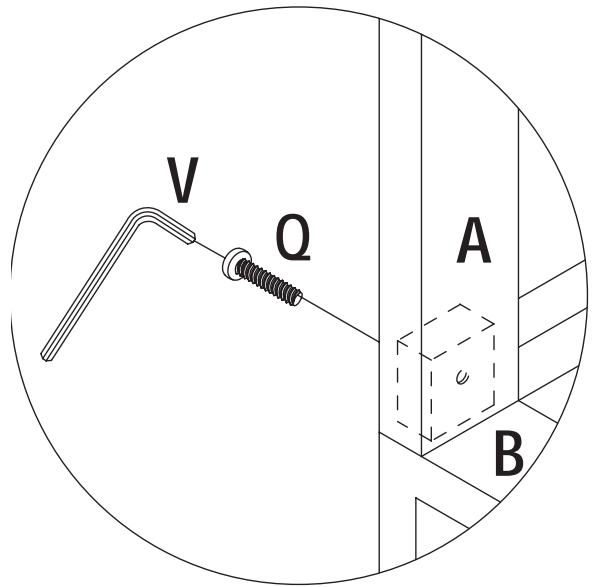
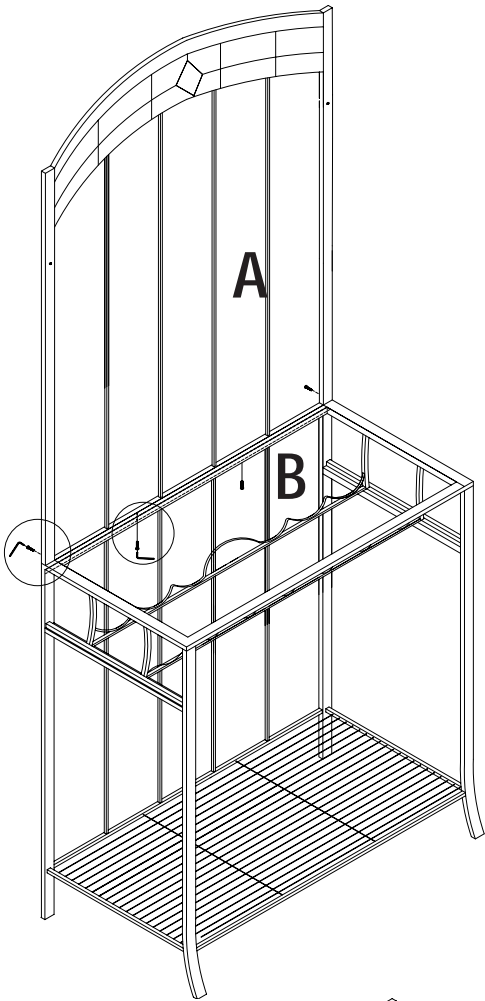
**STEP 7**



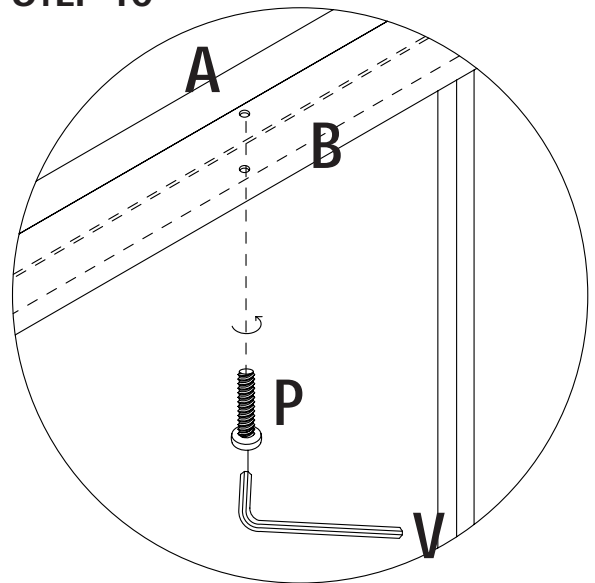
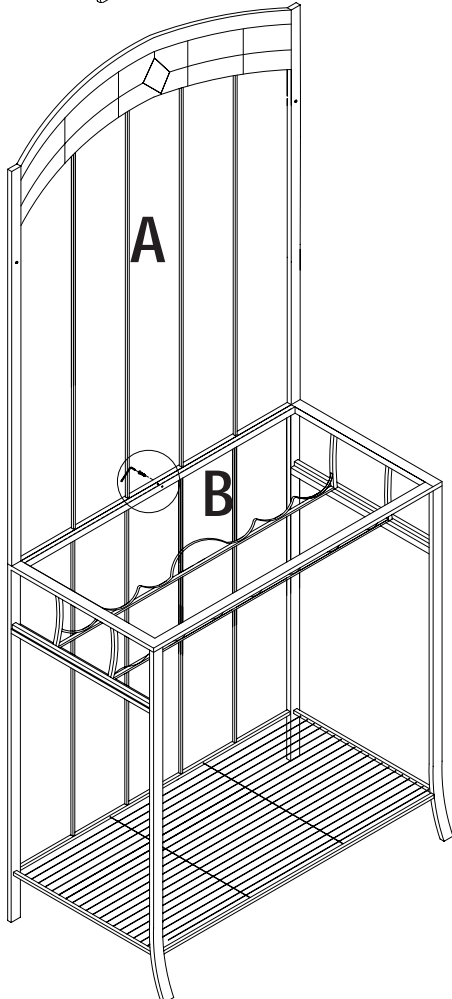
**STEP 8**



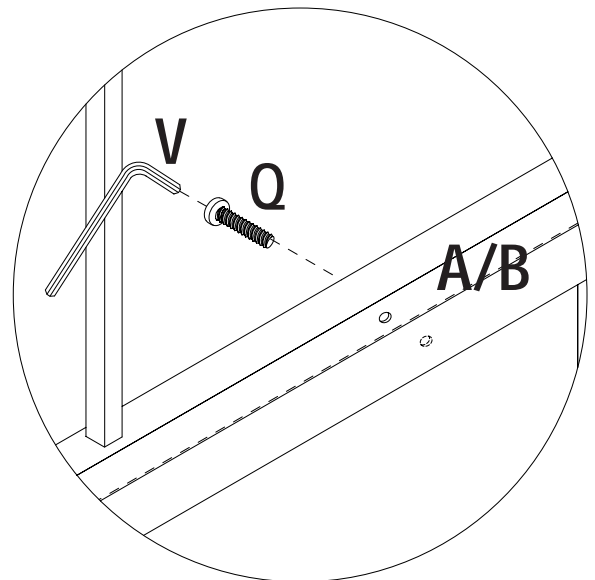
STEP 9

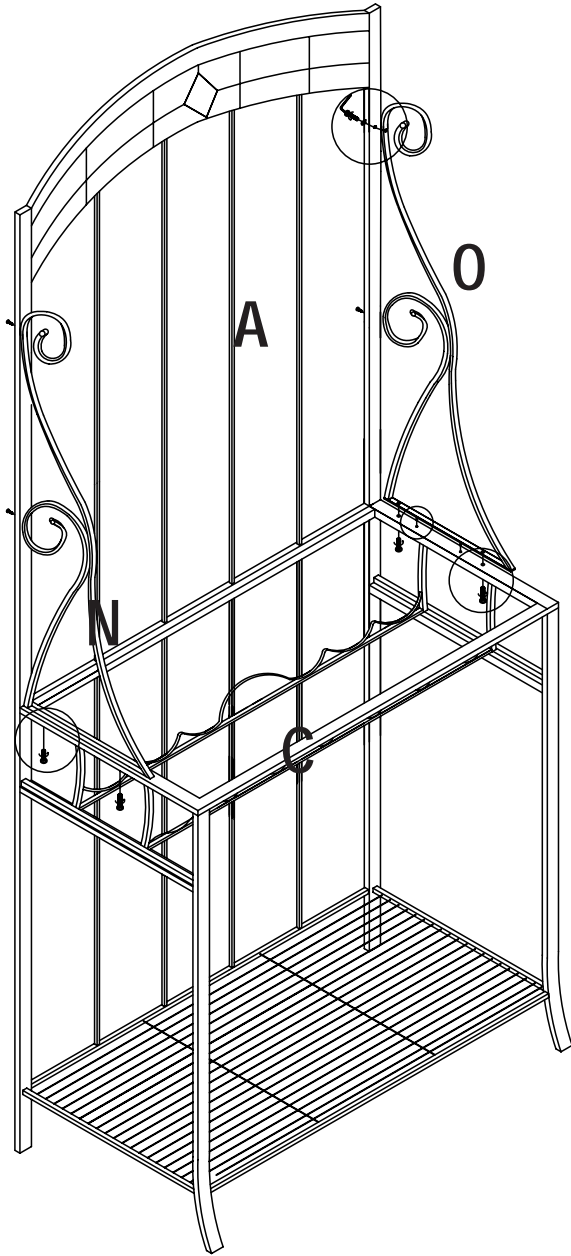


STEP 10

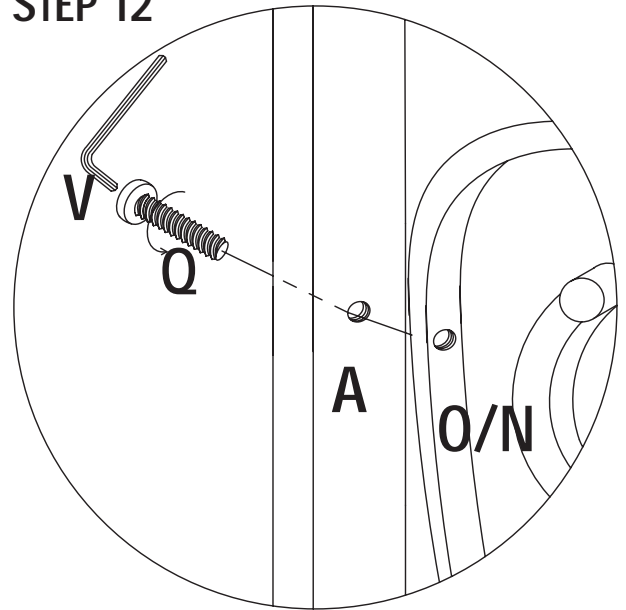


STEP 11

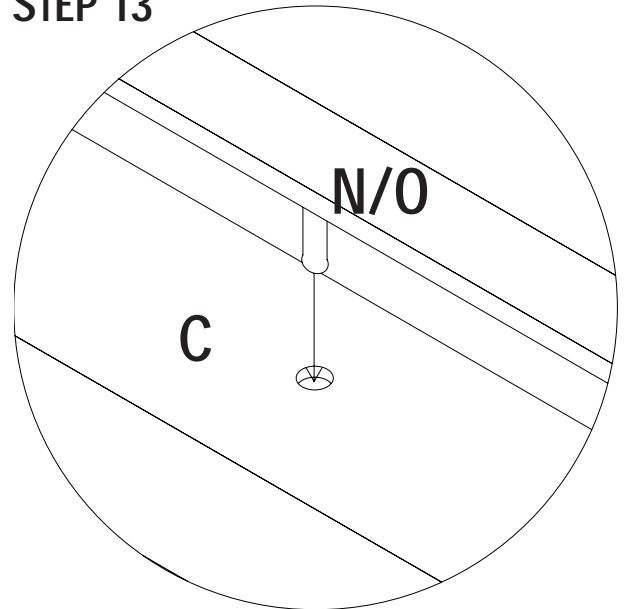




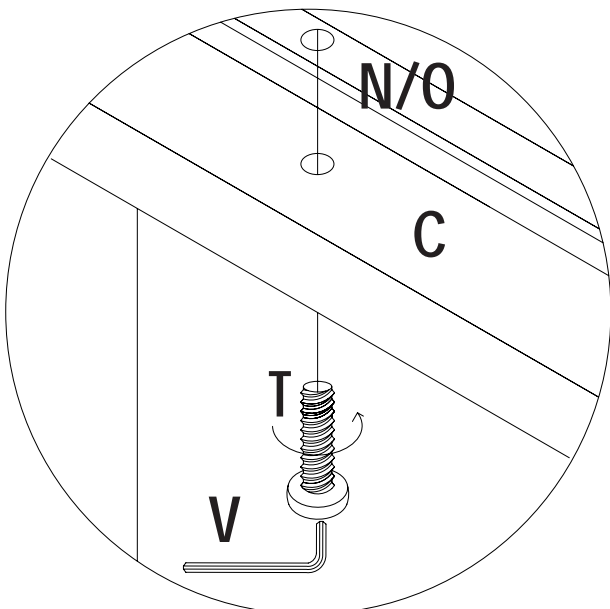
STEP 12



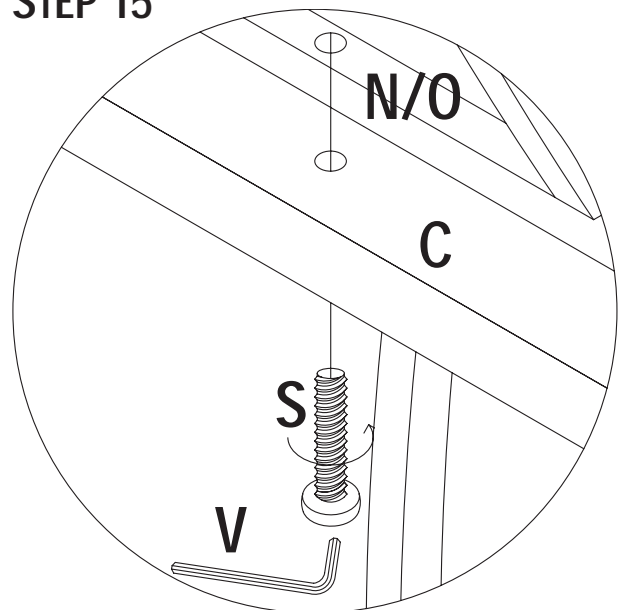
STEP 13



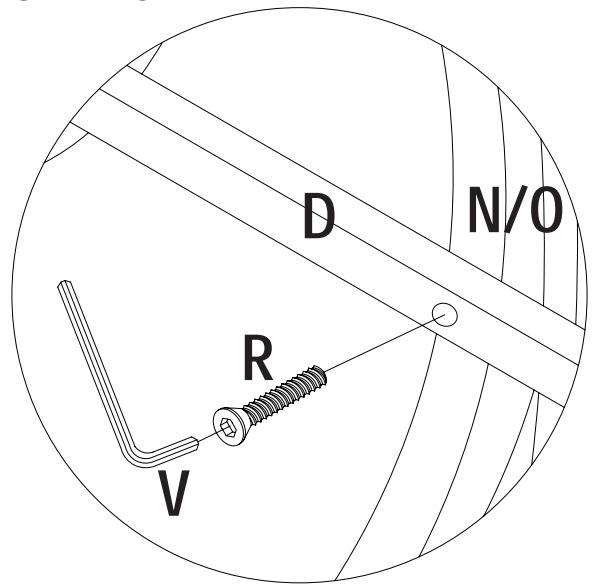
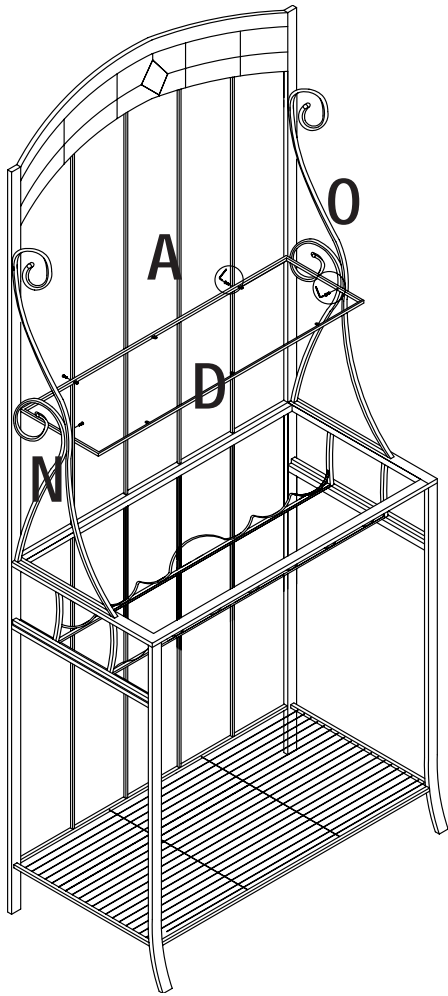
STEP 14



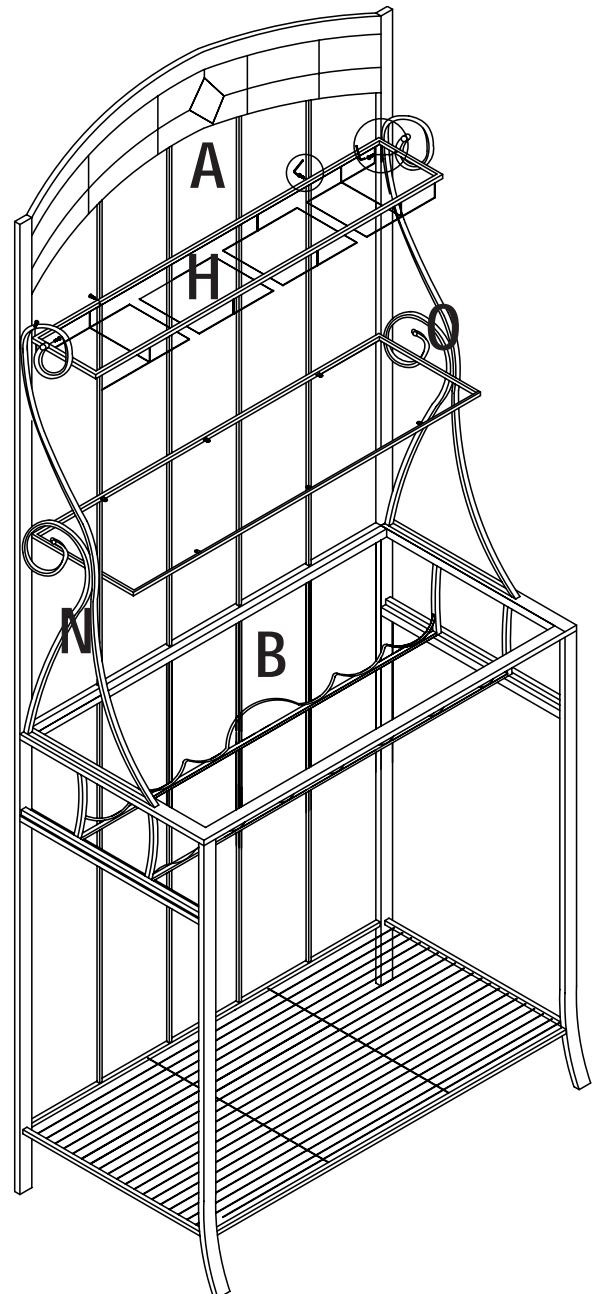
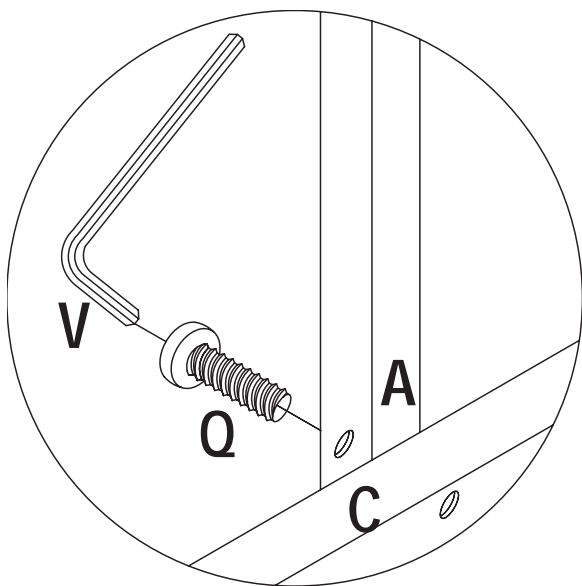
STEP 15



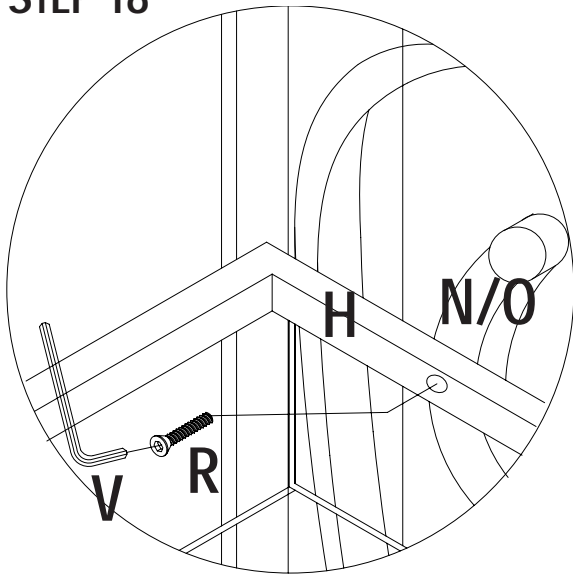
STEP 16



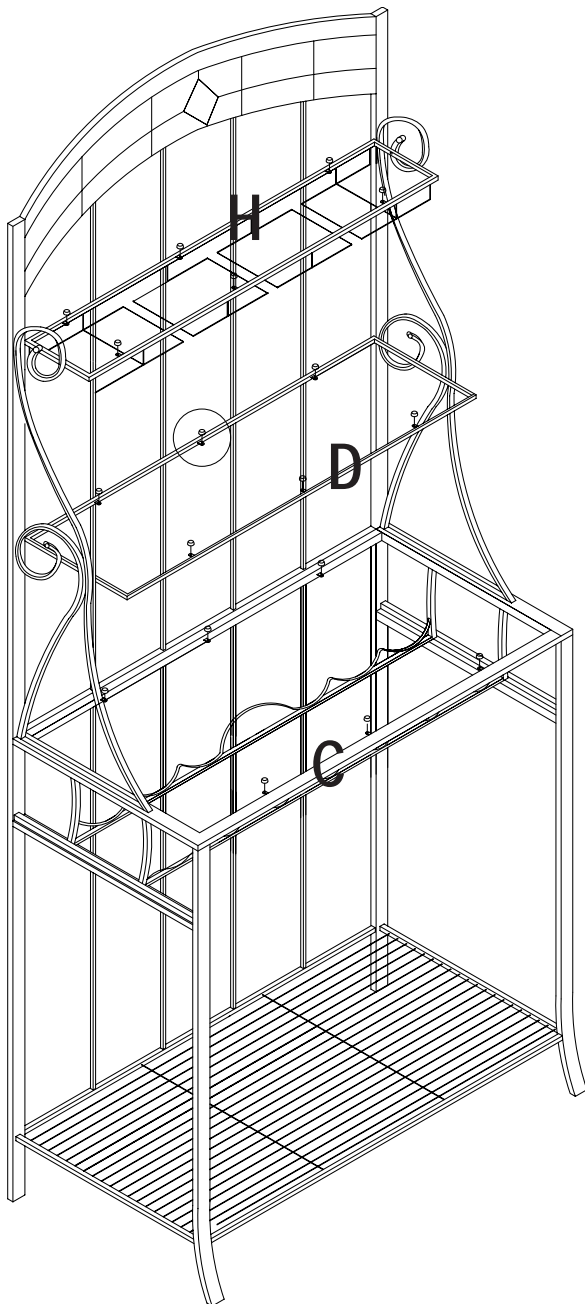
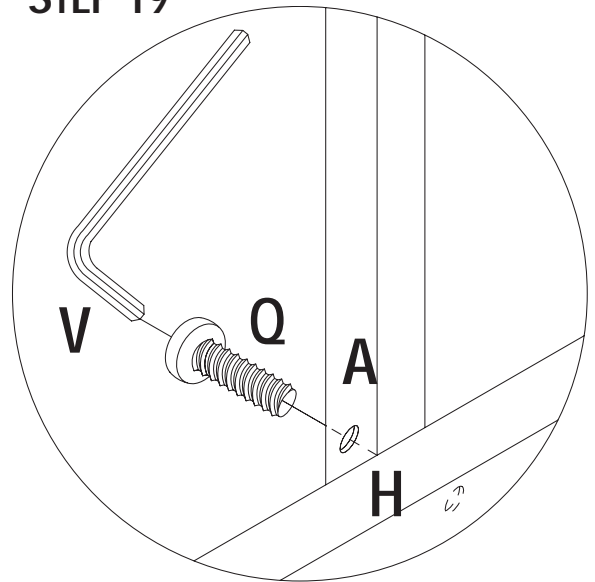
STEP 17



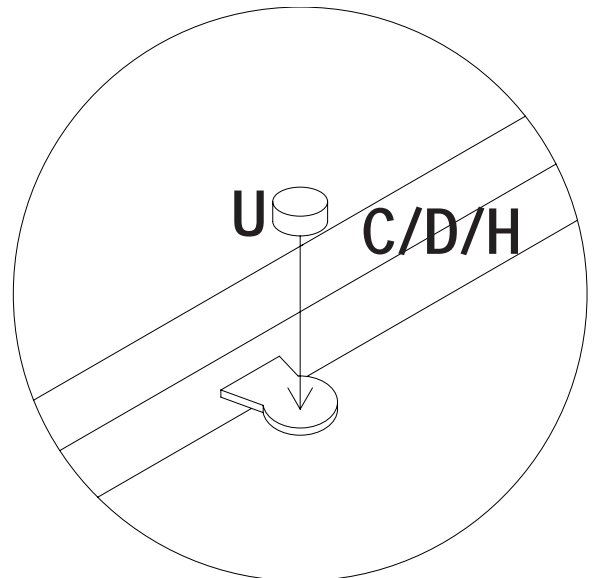
**STEP 18**

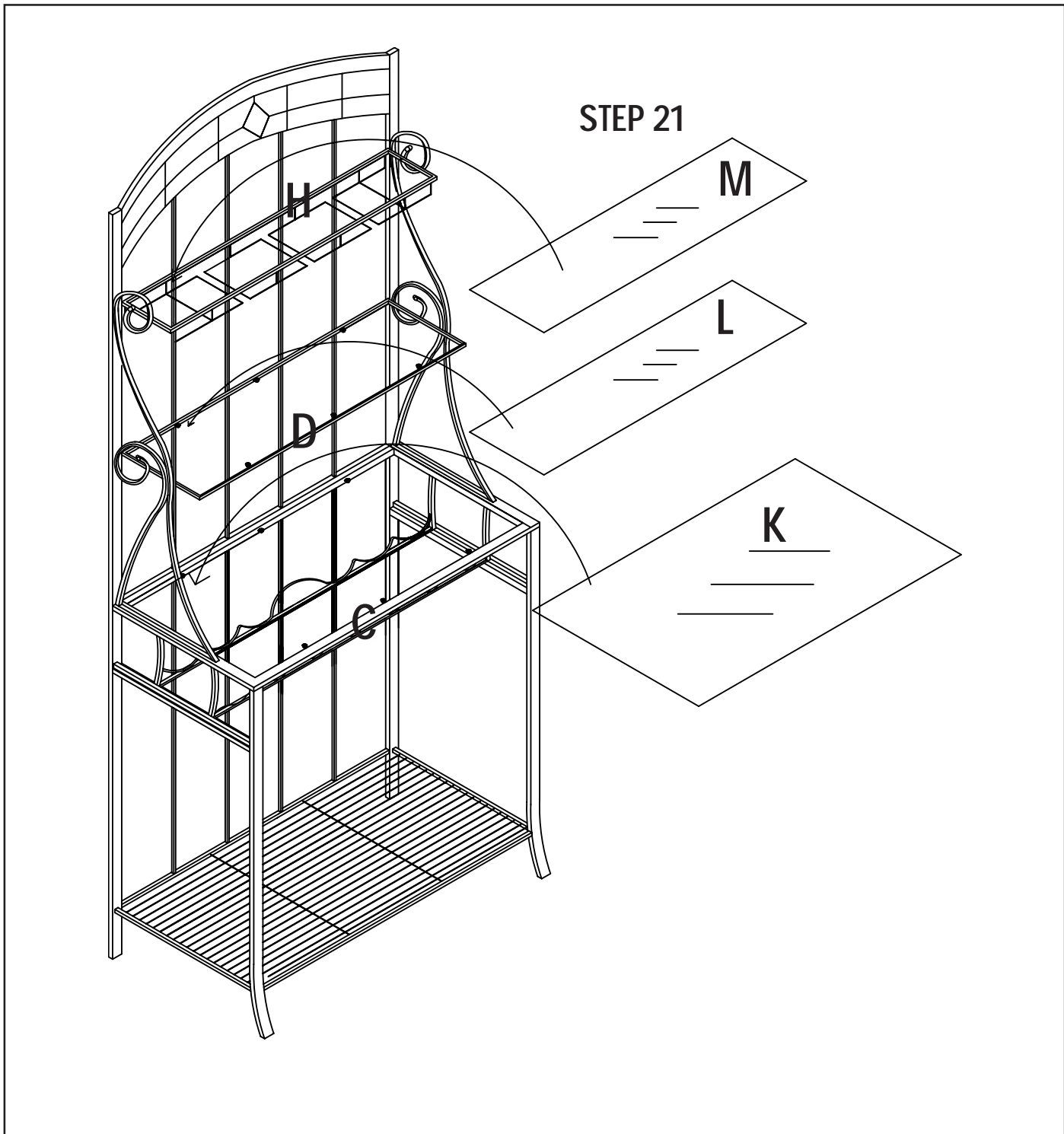


**STEP 19**



**STEP 20**





**STEP 21**

**M**

**L**

**K**

**IF YOU HAVE A PROBLEM, WE WANT TO HAVE THE OPPORTUNITY TO MAKE IT RIGHT!**

Should there be any missing or defective part(s),  
**Fax this form to (310) 841-0842**  
 or call Customer Service at (800) 622-4456 or (310) 204-2224  
 Have your model number and part code letter handy.

**MODEL NO. 367-424**

© 2005 Powell

Part Letter      Description      Quantity

\_\_\_\_\_

\_\_\_\_\_

\_\_\_\_\_

Name \_\_\_\_\_  
 Address \_\_\_\_\_

Daytime Phone (    ) \_\_\_\_\_  
 Reason for replacement \_\_\_\_\_

Place of purchase \_\_\_\_\_