

MICHAEL PAYNE Collection BY Powell

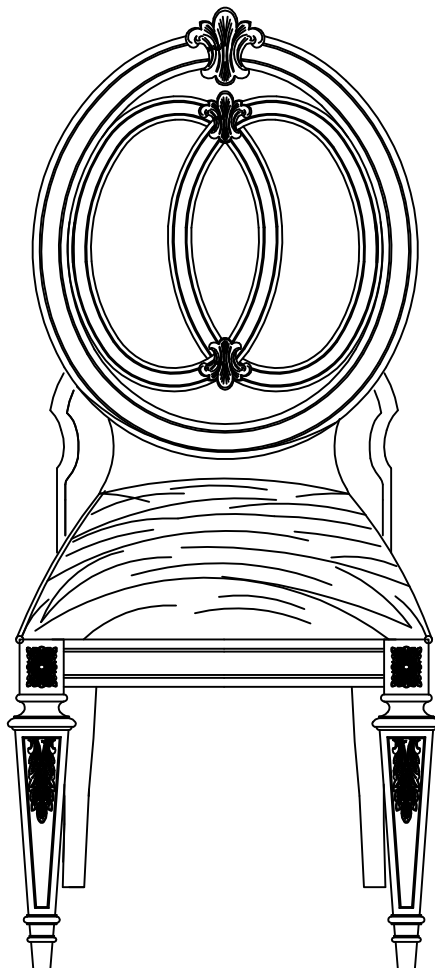
ASSEMBLY INSTRUCTIONS (WF) MODEL NO. 351-434

Made in Vietnam

Thank you for purchasing this quality product , Be sure to check all packing material carefully for small parts which may have come loose inside the carton during shipment. Separate, identify, and count all parts and metal hardware. Compare with parts list and hardware illustrations to be sure all parts are present, If any part(s) are missing or damaged, phone, fax, or mail to our Customer Service Department. For efficient and speedy service, please indicate the model number and code letter of part(s) needed.

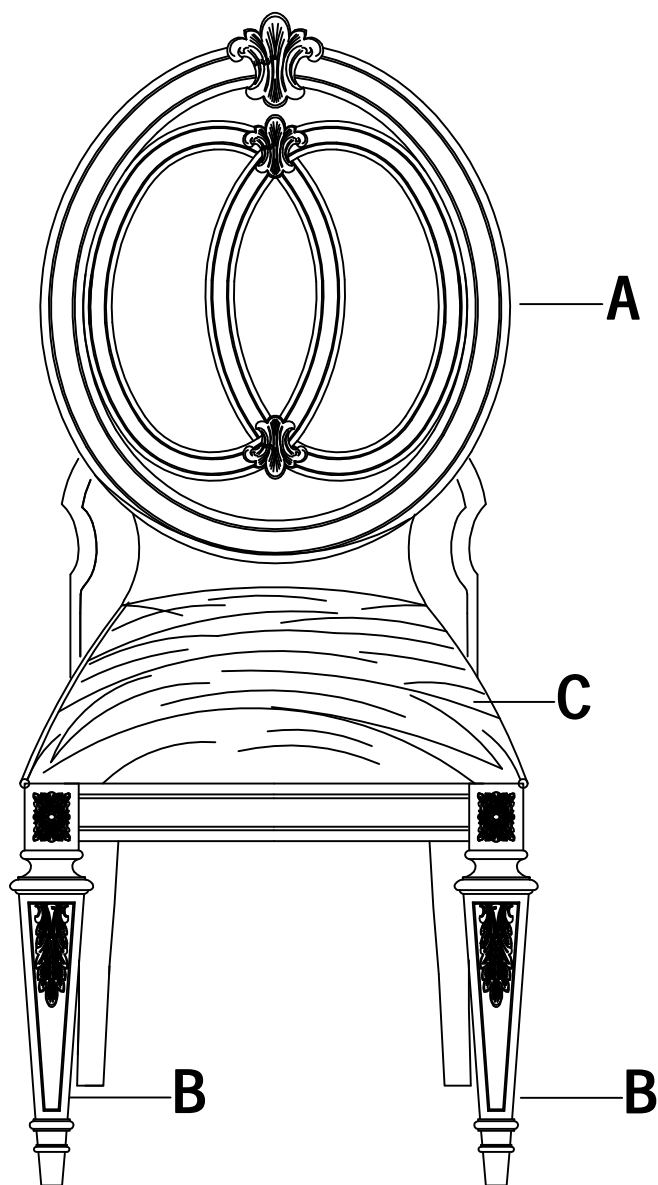
ATTENTION: SOME LETTERED PARTS LISTED ON THE INSTRUCTION SHEET MAY NOT BE IN PARTS BAG AS THEY MAY ALREADY BE ASSEMBLED. CAREFULLY CHECK PARTS AND PACKING MATERIALS PRIOR TO ORDERING REPLACEMENTS.

Tools Required : Allen key (included)



PARTS

- (A) CHAIR BACK(1)
- (B) FRONT LEG(2)
- (C) CUSHION (1)



HARDWARE



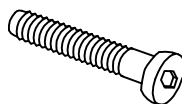
D

(10 PIECES)



E

(10 PIECES)



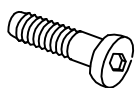
F

(4 PIECES)



G

(1 PIECE)



H

(6 PIECES)

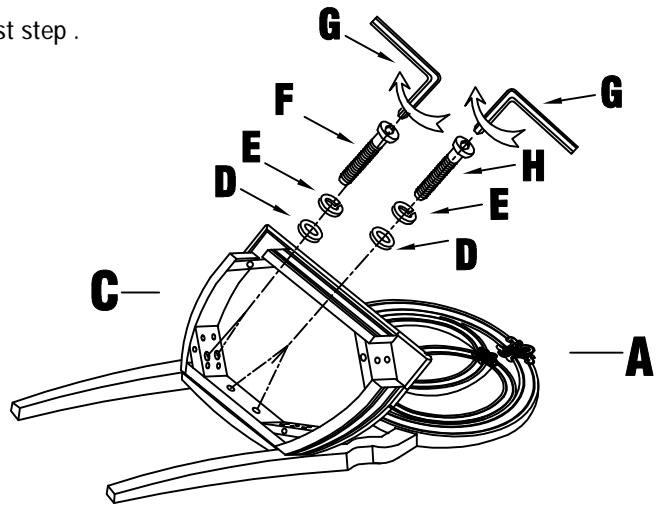
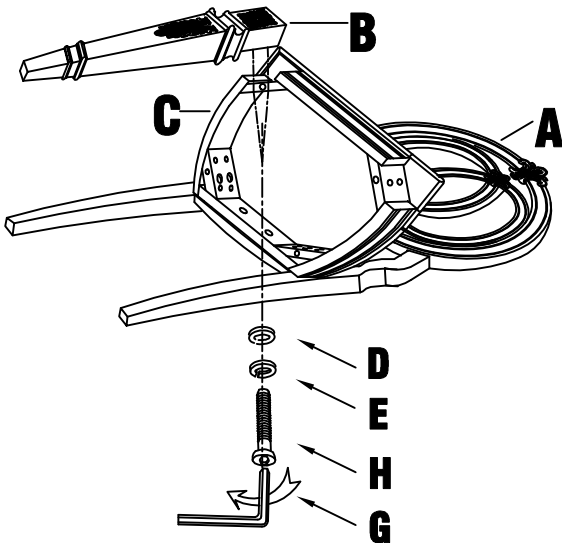
Note: Only loosely tighten screws until completion of last step .

STEP 1

Place Chair Back (A) flat on a soft surface, then attach seat frame Cushion (C) to chair back before attaching Front Legs (B) to seat frame.

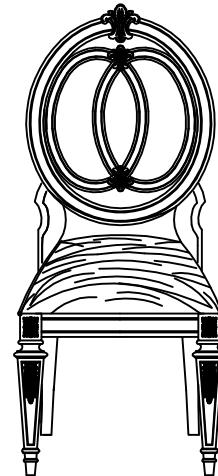
STEP 2

Start to assemble front leg



STEP 3

Stand assembled chair upright on a hard flat surface and adjust legs until all four are level, then fully tighten all screws



IF YOU HAVE A PROBLEM, WE WANT TO HAVE THE OPPORTUNITY TO MAKE IT RIGHT!

Should there be any missing or defective part(s)

Fax this form to (310) 841-0842

or call Customer Service at (800) 622 4456 or (310) 204-2224

Have your model number and part code letter handy.

MODEL NO: 351-434

© 2006 POWELL

Part Letter Quantity

Name

Address

Daytime Phone ()

Reason for replacement

Place of purchase