

MICHAEL PAYNE Collection by Powell

ASSEMBLY INSTRUCTIONS (WF) MODEL NO. 351-421

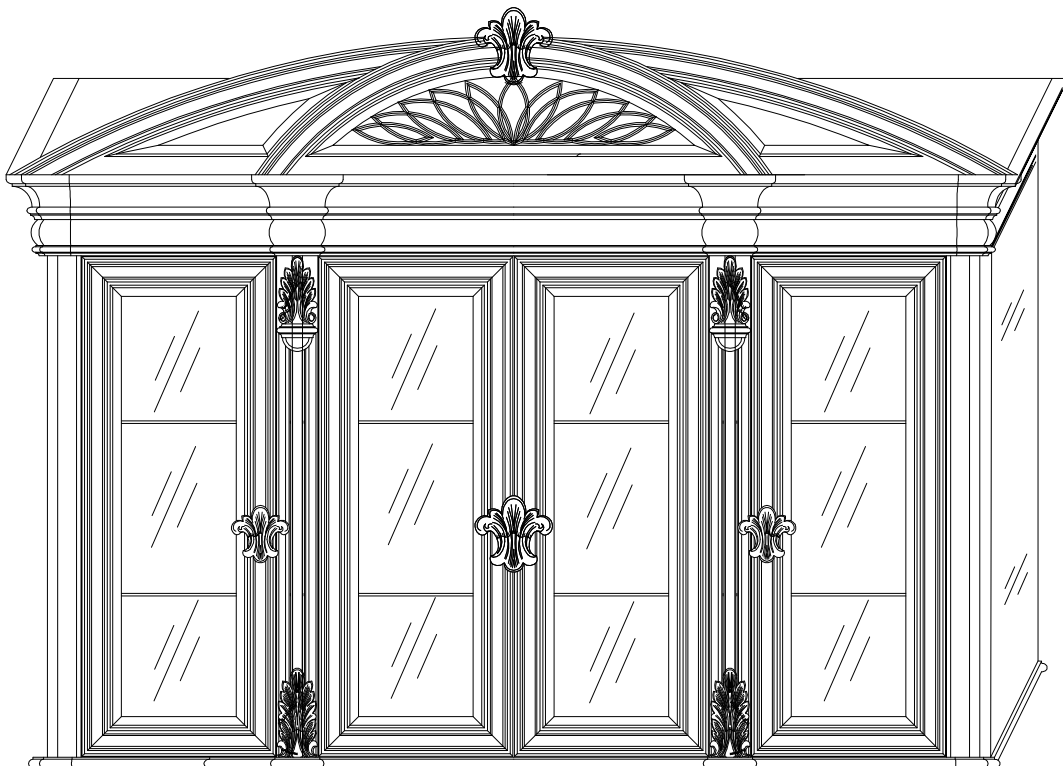
Made in Vietnam

Thank you for purchasing this quality product , Be sure to check all packing material carefully for small parts which may have come loose inside the carton during shipment. Separate, identify, and count all parts and metal hardware. Compare with parts list and hardware illustrations to be sure all parts are present, If any part(s) are missing or damaged, phone, fax, or mail to our Customer Service Department. For efficient and speedy service, please indicate the model number and code letter of part(s) needed.

ATTENTION: SOME LETTERED PARTS LISTED ON THE INSTRUCTION SHEET MAY NOT BE IN PARTS BAG AS THEY MAY ALREADY BE ASSEMBLED. CAREFULLY CHECK PARTS AND PACKING MATERIALS PRIOR TO ORDERING REPLACEMENTS.

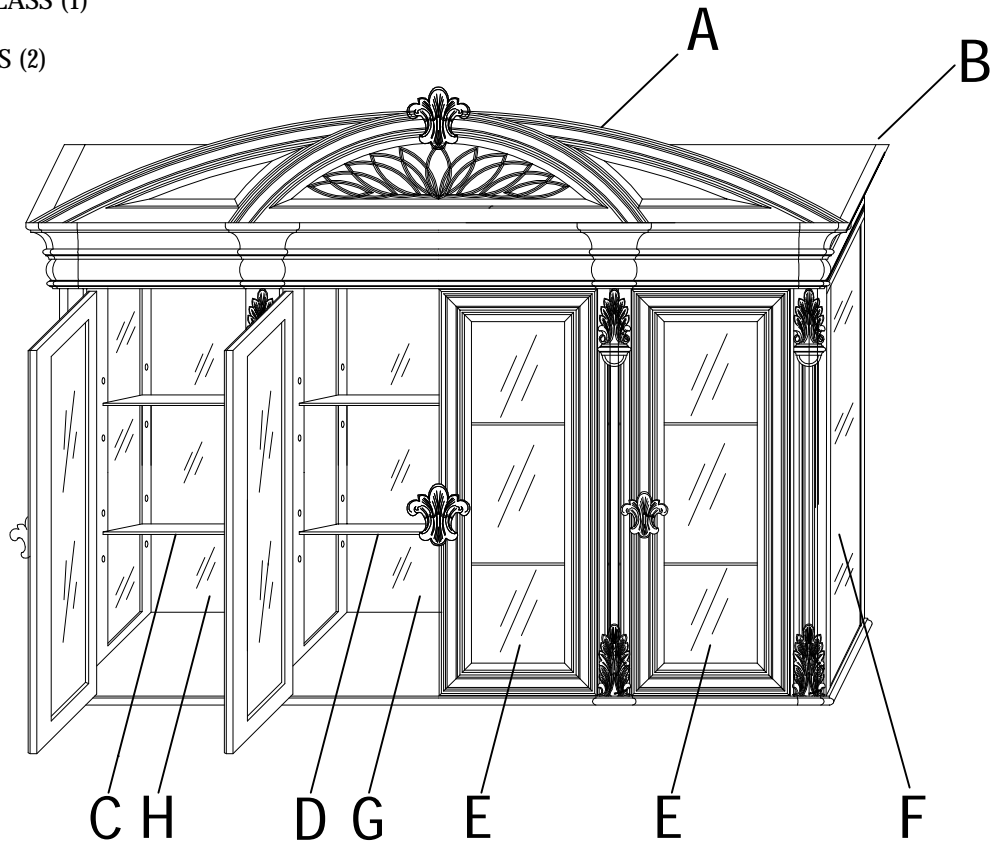
Tools Required : Allen key (included)

Tools Required : Phillips Screwdriver (not included)

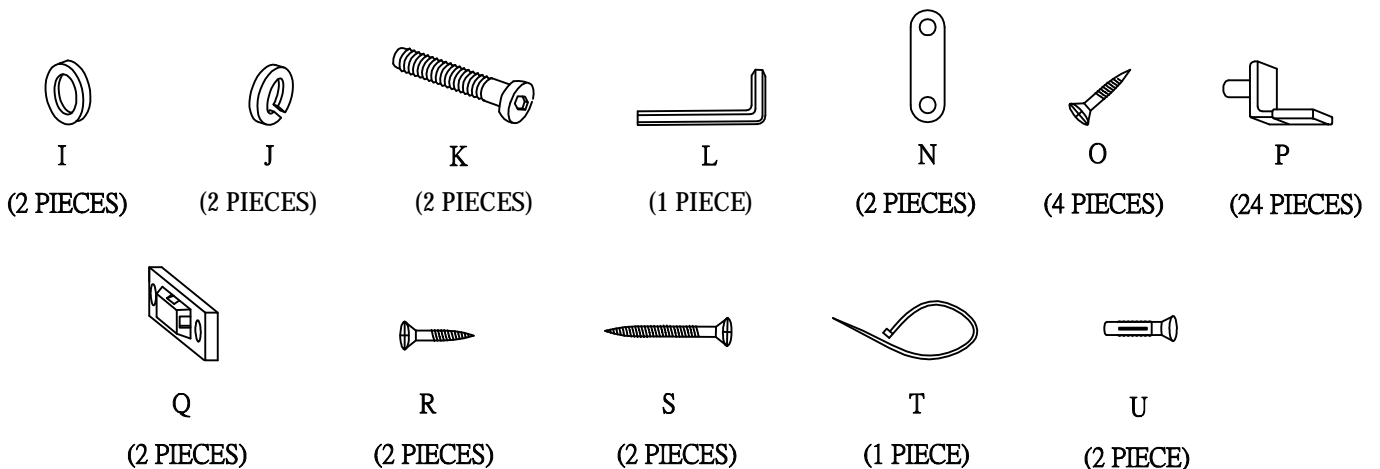


PARTS

- (A) MOULDING (1)
- (B) CASE BODY (1)
- (C) SIDE SHELF GLASS (4)
- (D) MIDDLE SHELF GLASS (2)
- (E) DOOR GLASS (4)
- (F) SIDE GLASS (2)
- (G) MIDDLE BACK GLASS (1)
- (H) SIDE BACK GLASS (2)

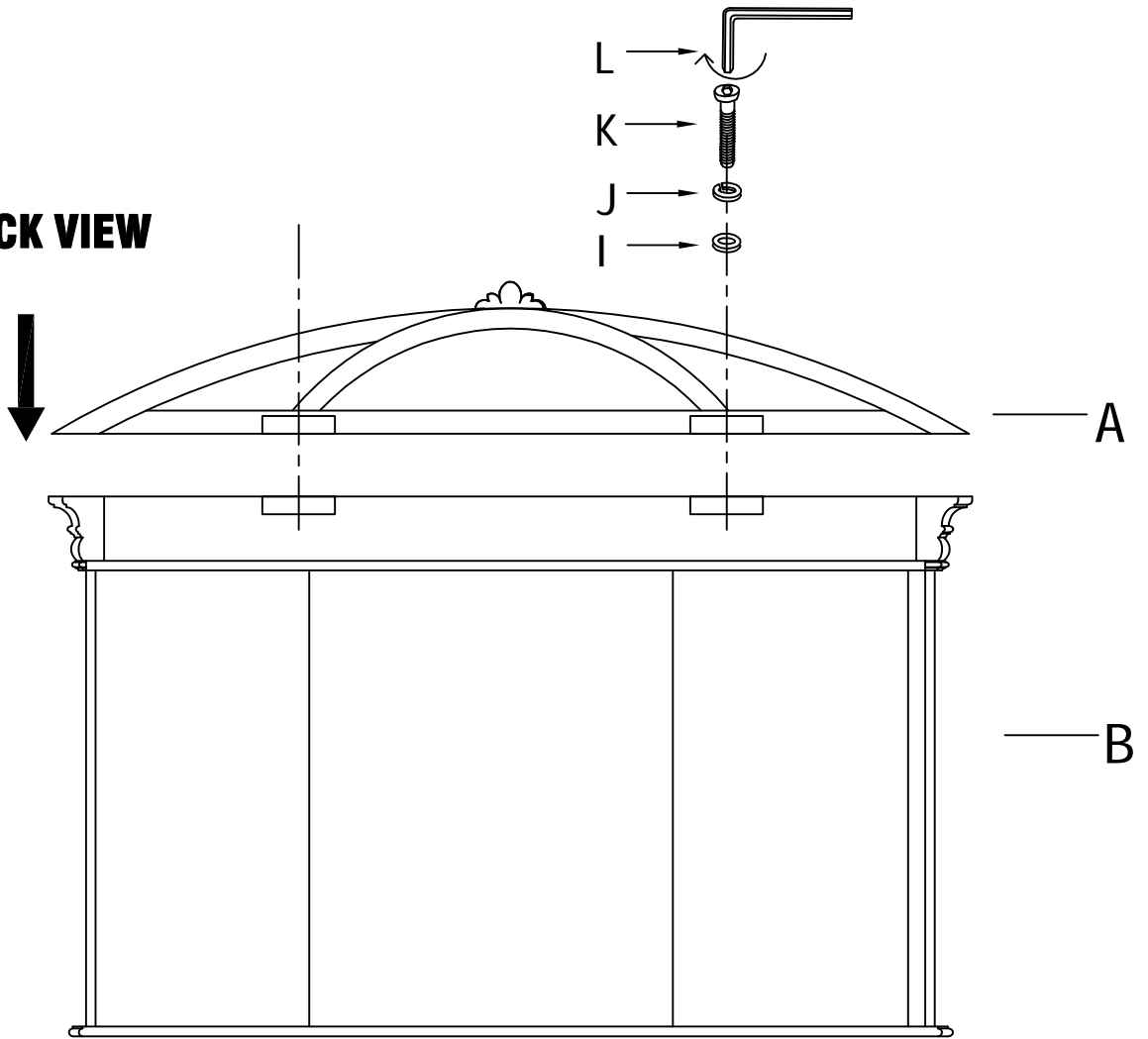


HARDWARE



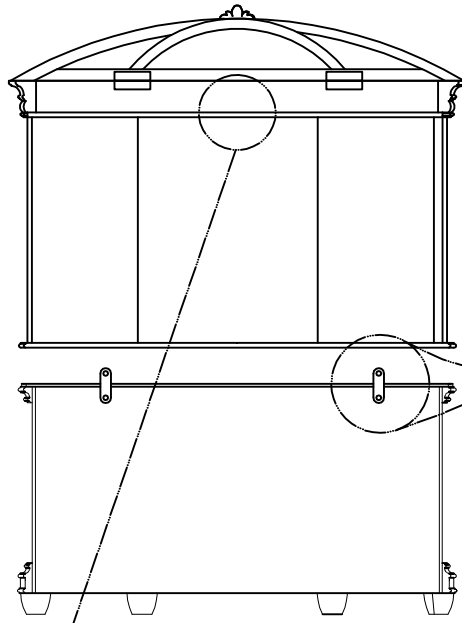
STEP 1

BACK VIEW

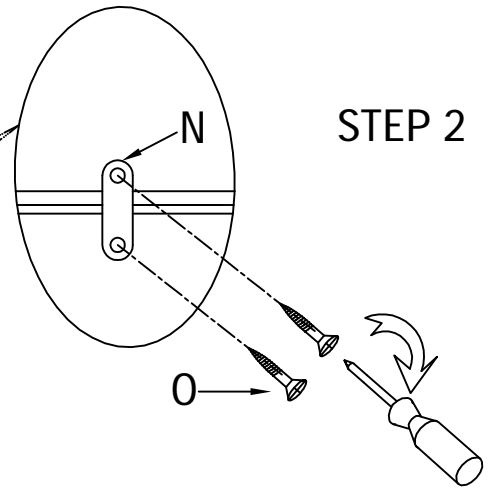


BACK VIEW

#351-421



#351-419
(SOLD SEPARATELY)



STEP 2

