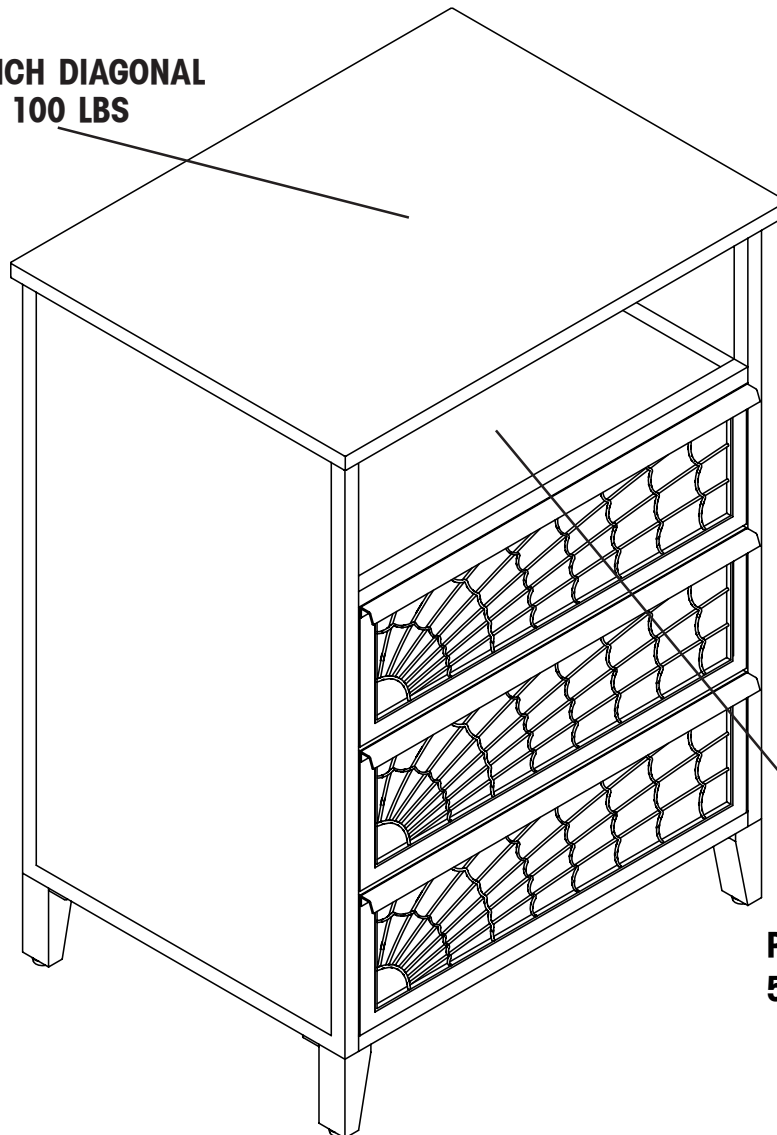


Thank you for purchasing this quality product. Be sure to check all packing material carefully for small parts which may have come loose inside the carton during shipment. Separate, identify, and count all parts and metal hardware. Compare with parts list and hardware illustrations to be sure all parts are present. If any part(s) are missing or damaged, phone, fax, or mail to our Customer Service Department. For efficient and speedy service, please indicate the model number and code letter of part(s) needed.

ATTENTION: SOME LETTERED PARTS LISTED ON THE INSTRUCTION SHEET MAY NOT BE IN PARTS BAG AS THEY MAY ALREADY BE ASSEMBLED. CAREFULLY CHECK PARTS AND PACKING MATERIALS PRIOR TO ORDERING REPLACEMENTS. PRODUCT MUST BE COMPLETED BEFORE FULLY TIGHTENING SCREWS

Tools Required for assembly: Allen Wrench (included); Phillips Screwdrivers (not included).

**TELEVISION
MAXIMUM 21 INCH DIAGONAL
MAXIMUM LOAD 100 LBS**



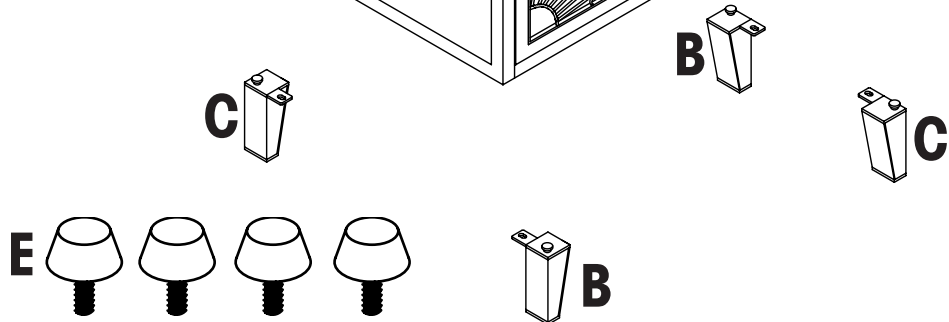
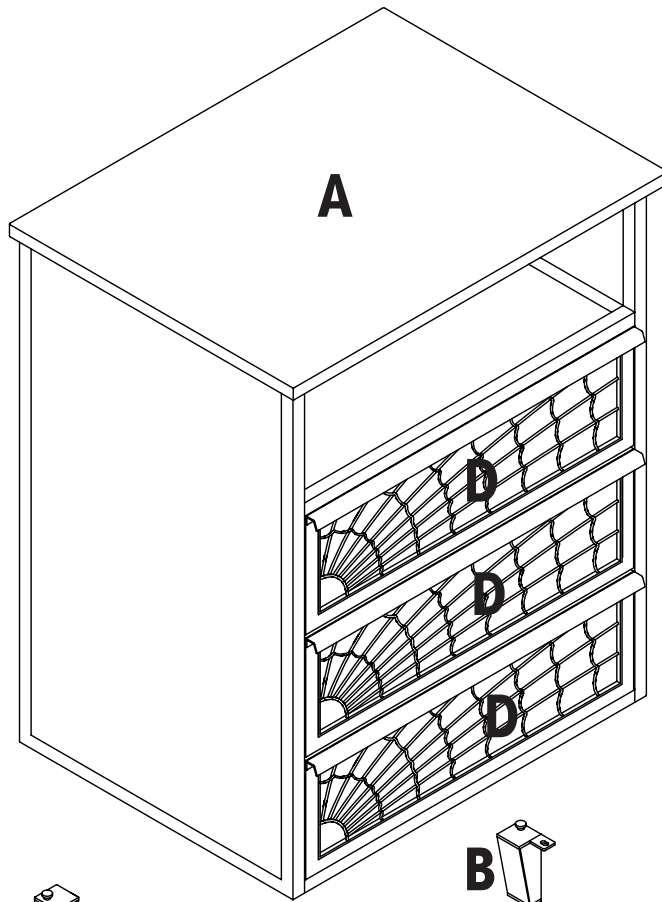
**PRODUCT WEIGHTING
50 POUNDS MAXIMUM**

**! WARNING: TV SHOULD NOT EXCEED MAXIMUM SIZE OF 21 INCHES,
OR WEIGHT LIMIT OF 100 LBS, CENTER SHELF LOAD NOT
EXCEED 50 LBS.**

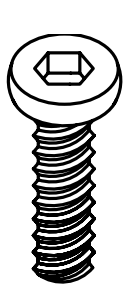
**! CAUTION- This stand is intended for use only with the products and
maximum weights indicated. use with other products or products heavier than the
maximum weights indicated may result in instability causing possible injury.**

PARTS

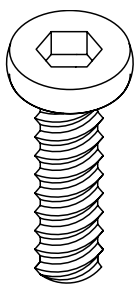
- (A) CABINET
- (B) LEFT FEET (2)
- (C) RIGHT FEET (2)
- (D) DRAWERS (3)
- (E) LEVELERS (4)



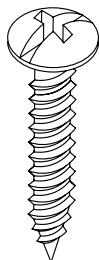
HARDWARE



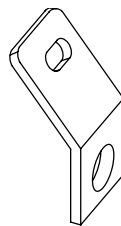
F
(4 PCS)



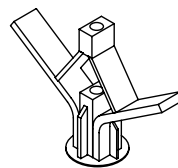
G
(1 PC)



H
(1 PC)



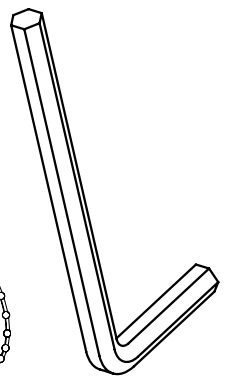
I
(2 PCS)



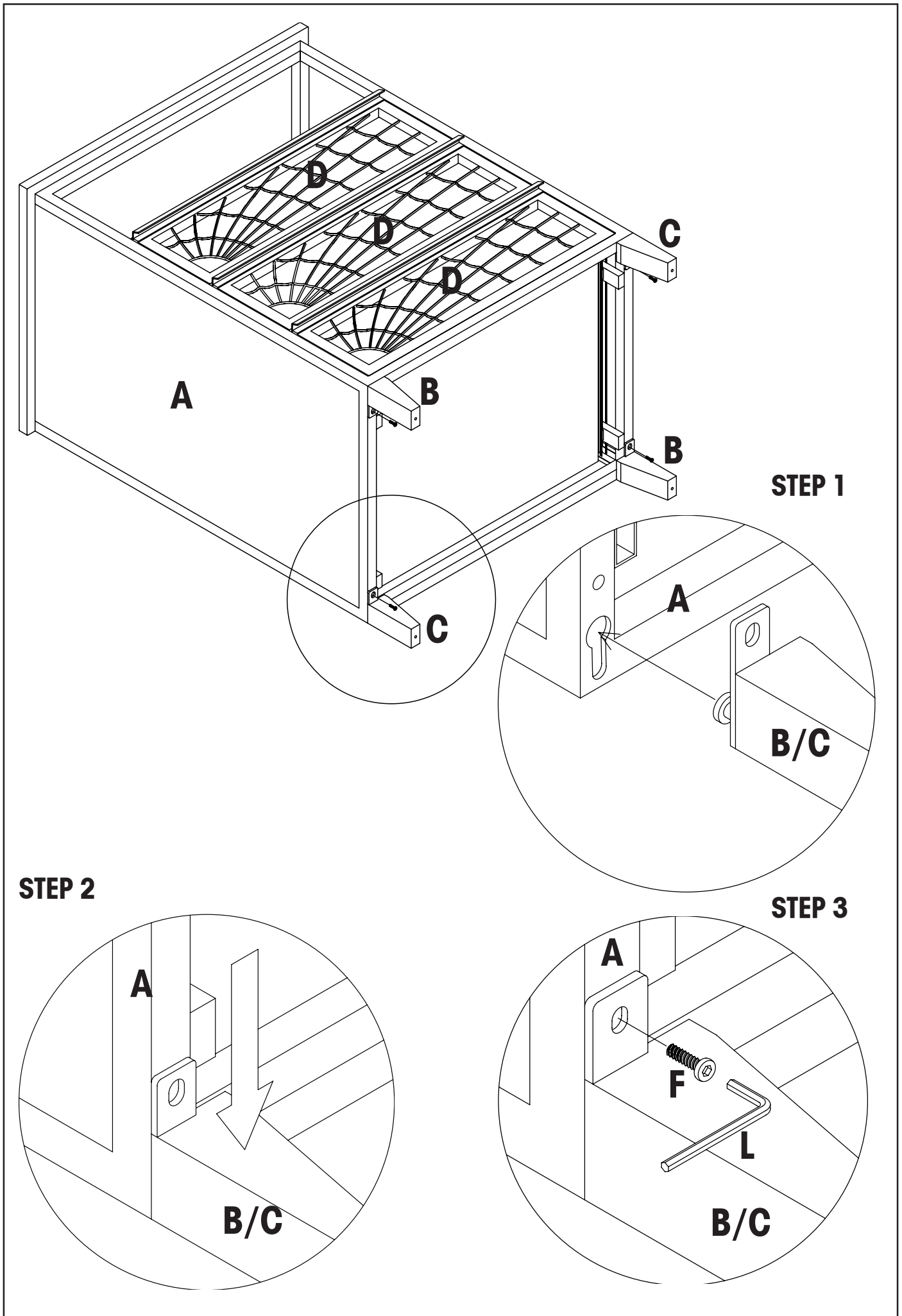
J
(1 PC)



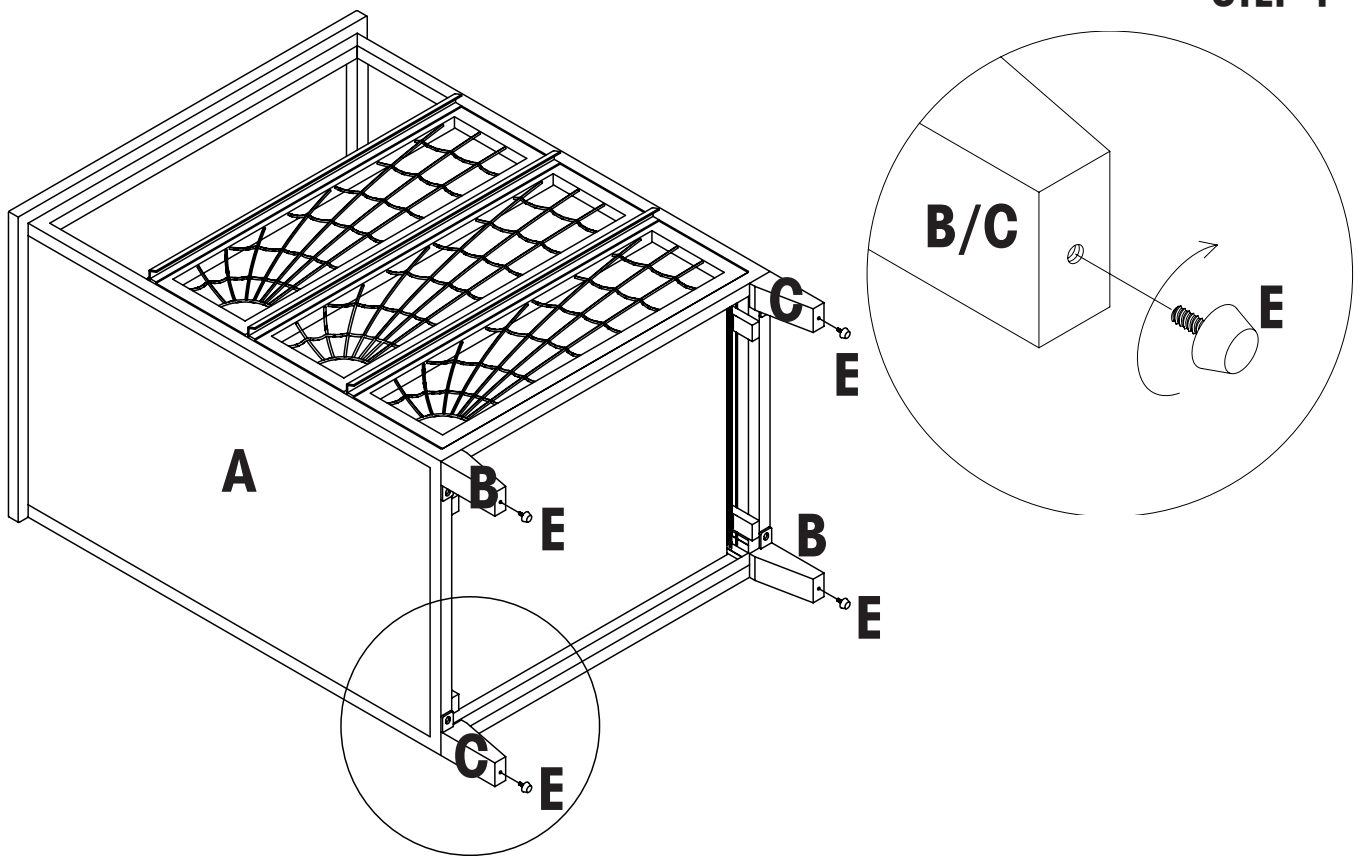
K
(1 PC)



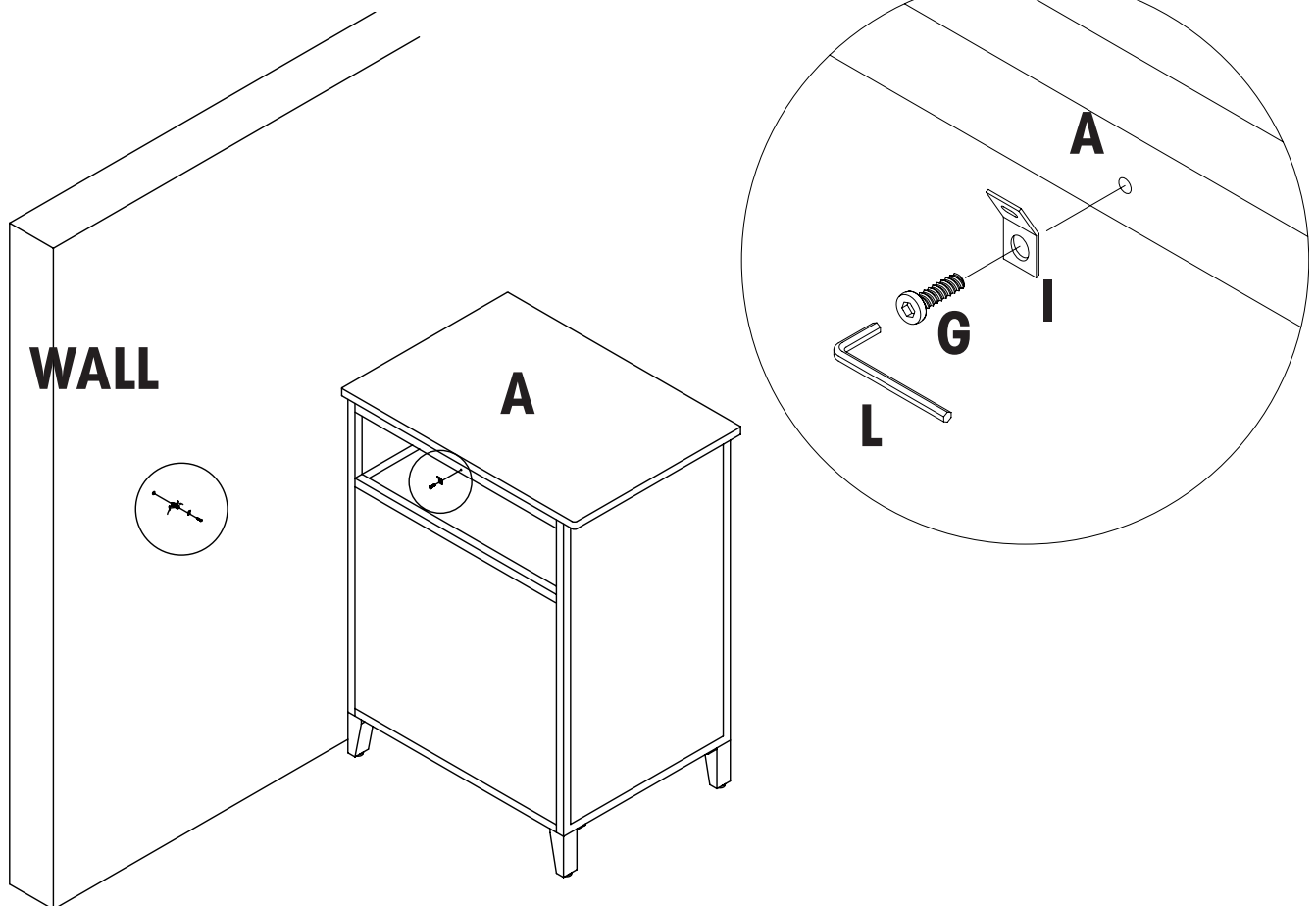
L
(1 PC)



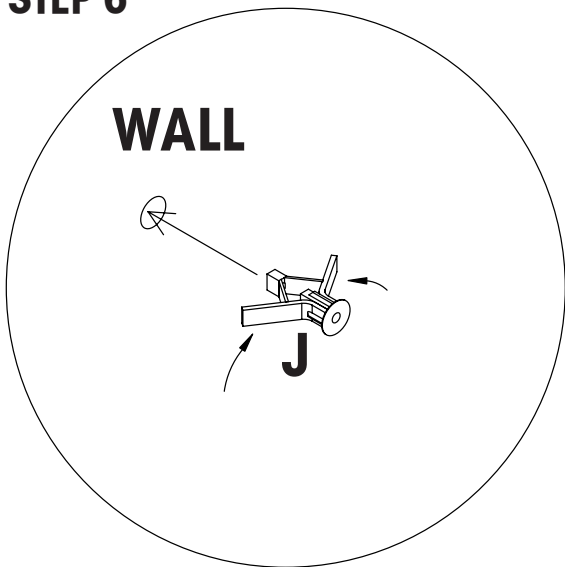
STEP 4



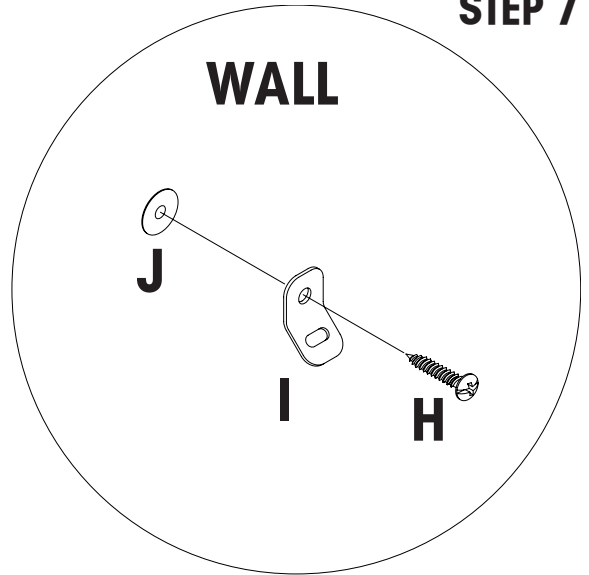
STEP 5



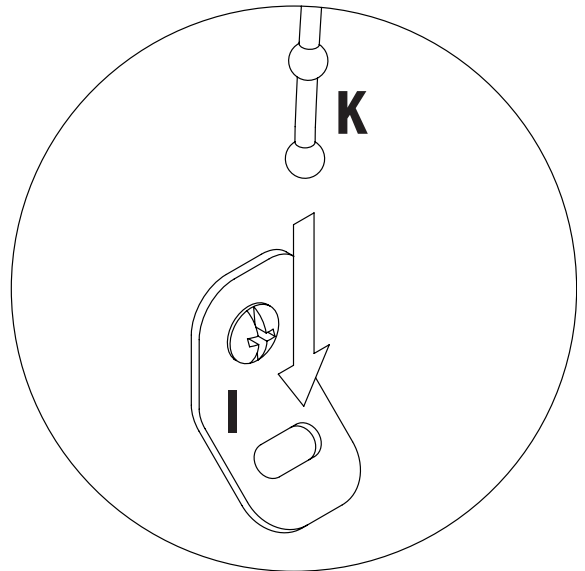
STEP 6



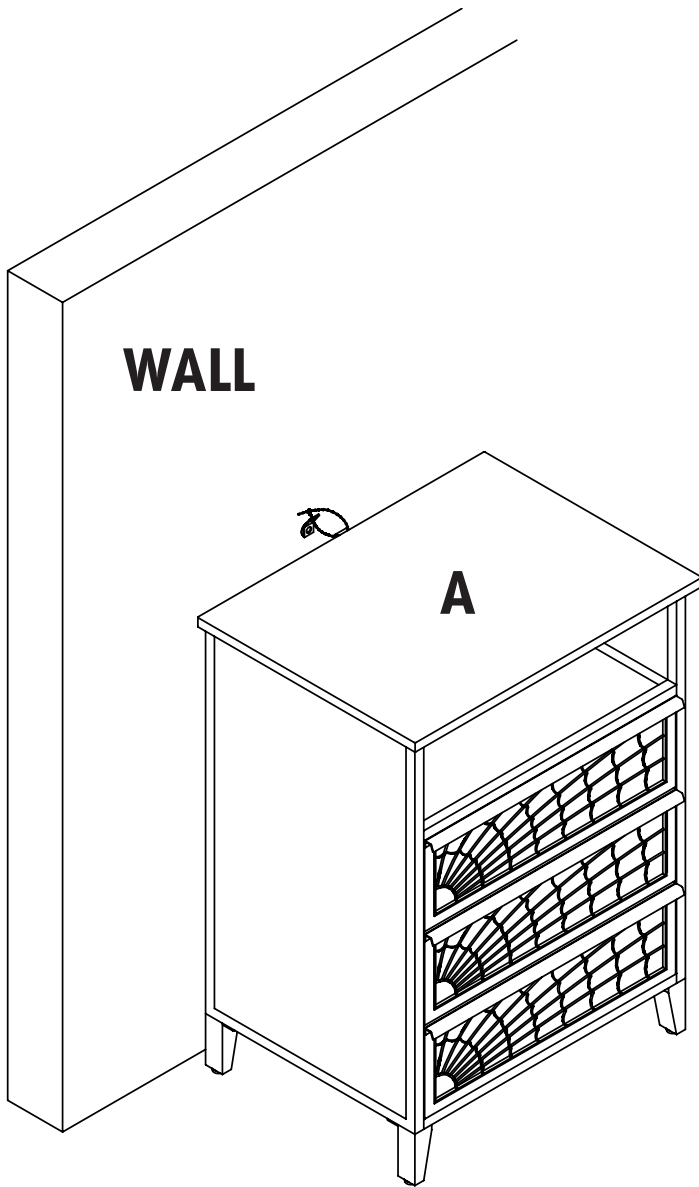
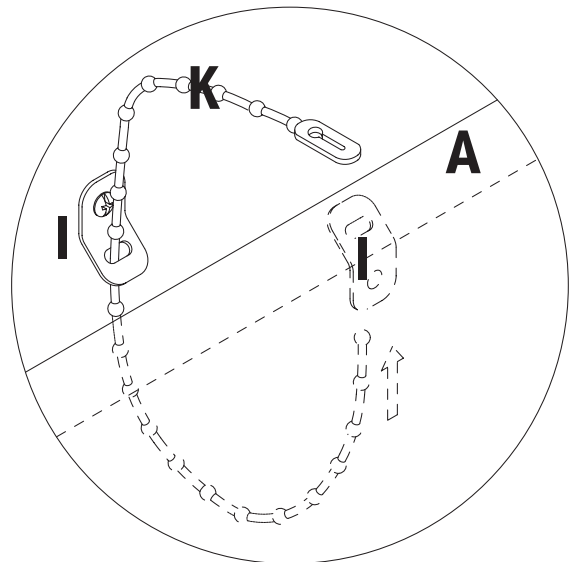
STEP 7



STEP 8

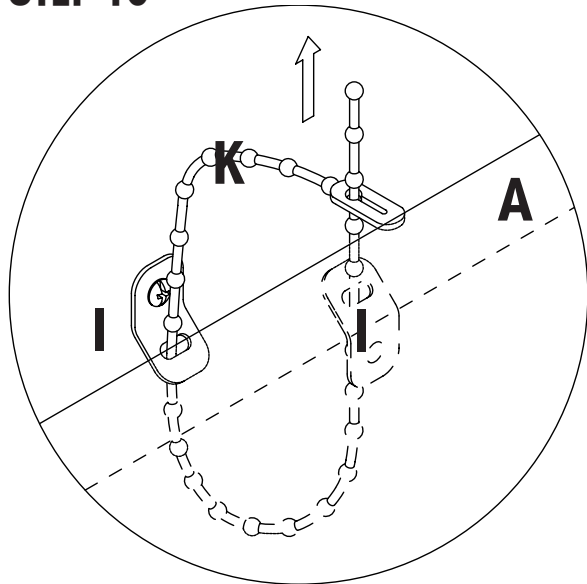


STEP 9

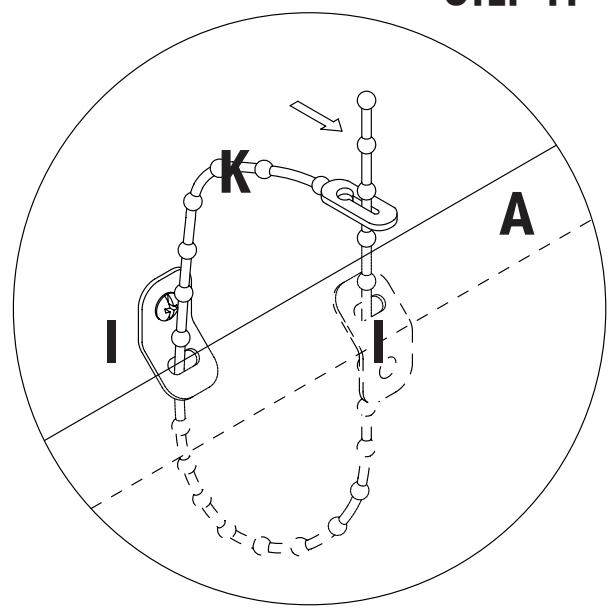


**TO PREVENT TIP OVER,
PRODUCT MUST BE ATTACHED TO WALL**

STEP 10



STEP 11



IF YOU HAVE A PROBLEM, WE WANT TO HAVE THE OPPORTUNITY TO MAKE IT RIGHT!

Should there be any missing or defective part(s),
Fax this form to (310) 841-0842
 or call Customer Service at (800) 622-4456 or (310) 204-2224
 Have your model number and part code letter handy.

MODEL NO. 294-275

© 2007 Powell

Part Letter	Description	Quantity
-------------	-------------	----------

Name	_____
Address	_____

Daytime Phone ()	_____
Reason for replacement	_____

Place of purchase	_____
-------------------	-------