



ASSEMBLY INSTRUCTIONS (HI)
MODEL NO. 284-296/P1 BUTTER YELLOW

Made in China

285-296/P1 SAGE GREEN

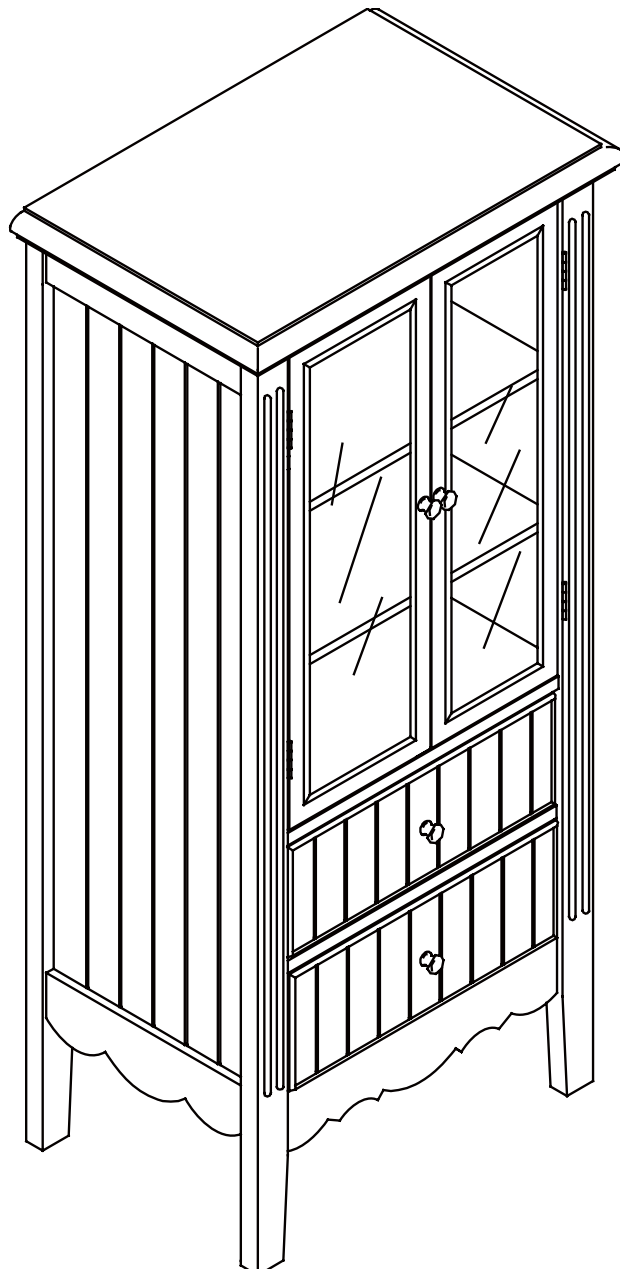
286-296/P1 CRIMSON RED

270-296/P1 PURE WHITE

Thank you for purchasing this Powell product. We want to make sure it is complete and to your satisfaction. Please check all packing material carefully for small parts which may have come loose inside the carton during shipment. Hardware can be identified by bright red packaging, Separate, identify, and count all parts and hardware to make sure they match with the illustrations herein and are all present. If any part(s) are missing or defective please contact Powell Customer Service. Contact information is given at the bottom of these instructions. If you feel the item is defective beyond a resolution with part replacements, please return this product with your receipt to the place of purchase. If purchased from an internet retailer, please contact their customer service department. Photo's and additional information may be requested to validate the claim. Product is not to be returned to the Powell Company under any circumstance unless authorized by the Powell Company or an authorized dealer or representative. Thank you.

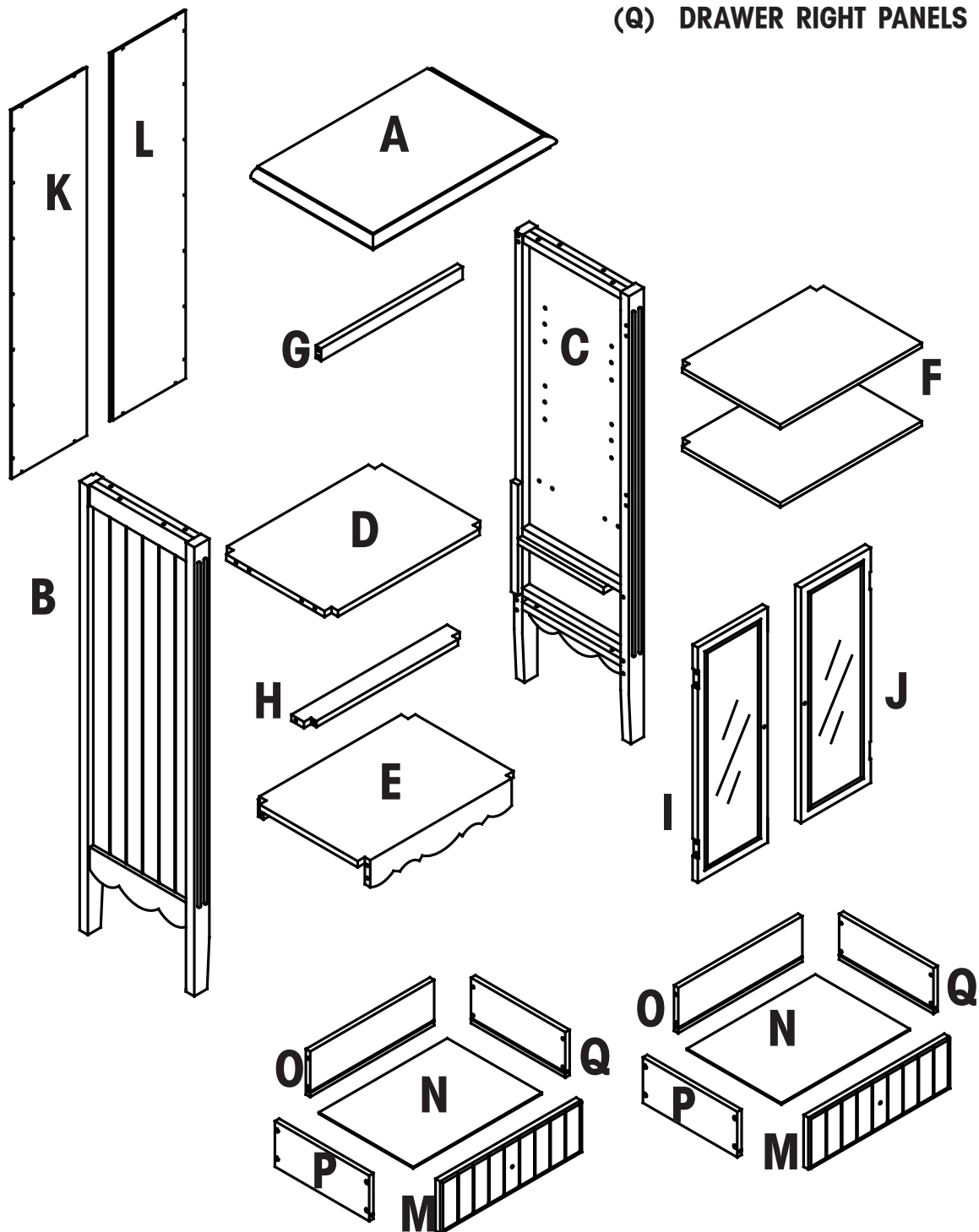
ATTENTION: SOME LETTERED PARTS LISTED ON THE INSTRUCTION SHEET MAY NOT BE IN PARTS BAG AS THEY MAY ALREADY BE ASSEMBLED. CAREFULLY CHECK PARTS AND PACKING MATERIALS PRIOR TO ORDERING REPLACEMENTS.

Tools Required for assembly: Phillips Screwdriver (not included)

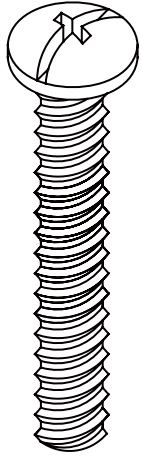


PARTS

- (A) TOP
- (B) LEFT PANEL
- (C) RIGHT PANEL
- (D) SHELF
- (E) BOTTOM PANEL
- (F) ADJUSTABLE SHELVES (2)
- (G) UPPER CROSS BRACE
- (H) LOWER CROSS BRACE
- (I) LEFT DOOR
- (J) RIGHT DOOR
- (K) LEFT BACK PANEL
- (L) RIGHT BACK PANEL
- (M) DRAWER FRONT PANELS (2)
- (N) DRAWER BOTTOM PANELS (2)
- (O) DRAWER BACK PANELS (2)
- (P) DRAWER LEFT PANELS (2)
- (Q) DRAWER RIGHT PANELS (2)



HARDWARE



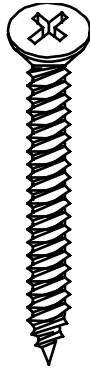
H1
(8 PCS)



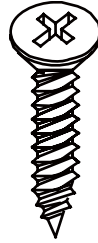
H2
(16 PCS)



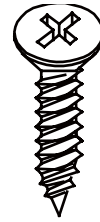
H3
(4 PCS)



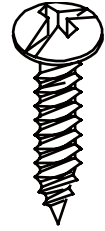
H4
(2 PCS)



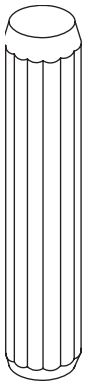
H5
(2 PCS)



H6
(18 PCS)



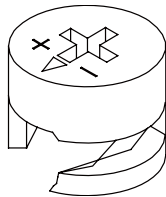
H7
(22 PCS)



H8
(24 PCS)



H9
(4 PCS)



H10
(4 PCS)



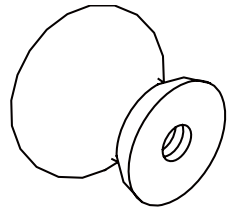
H11
(8 PCS)



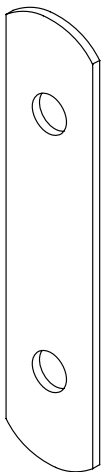
H12
(8 PCS)



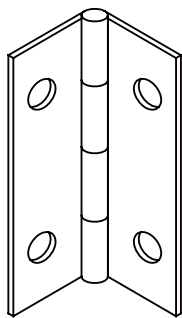
H13
(16 PCS)



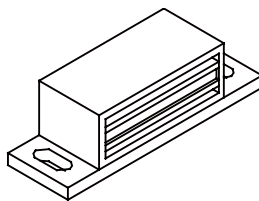
H14
(4 PCS)



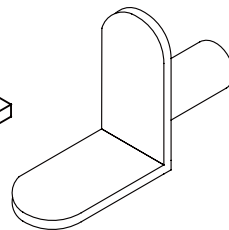
H15
(2 PCS)



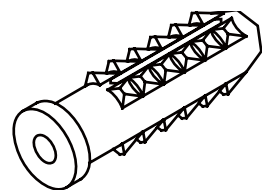
H16
(4 PCS)



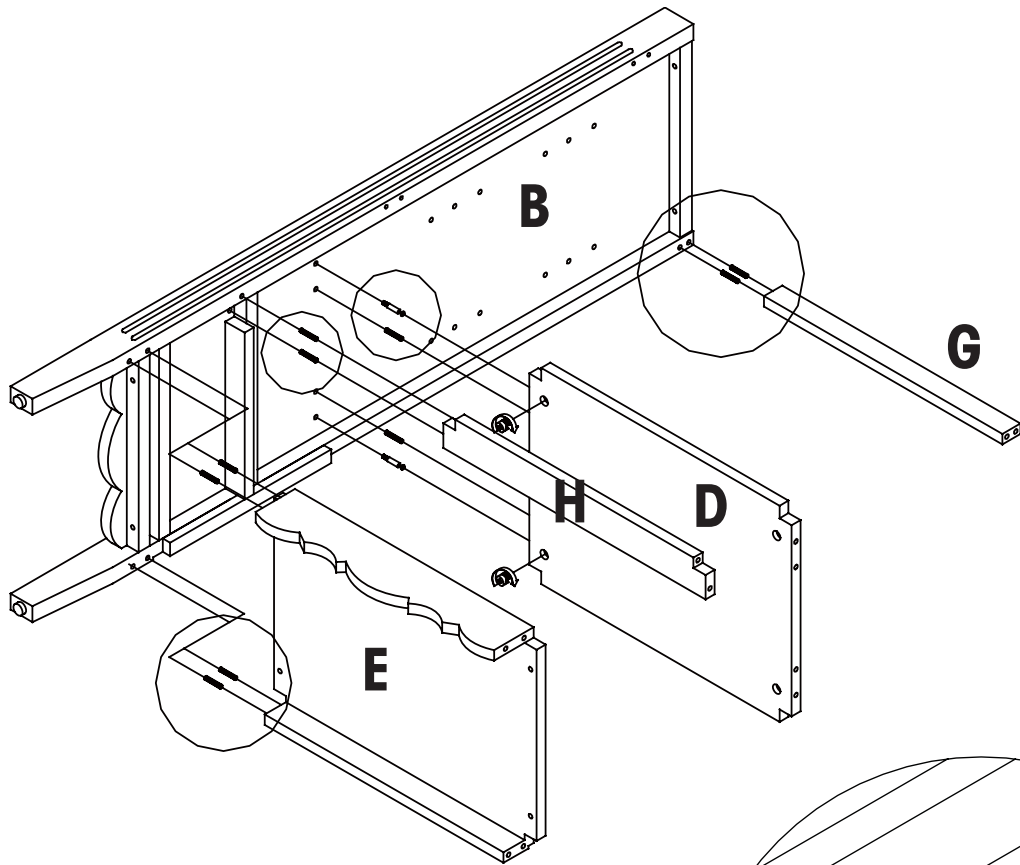
H17
(1 PC)



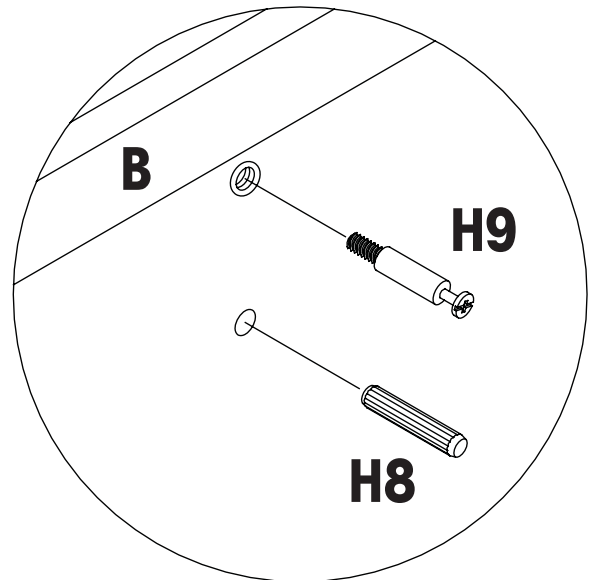
H18
(8 PCS)



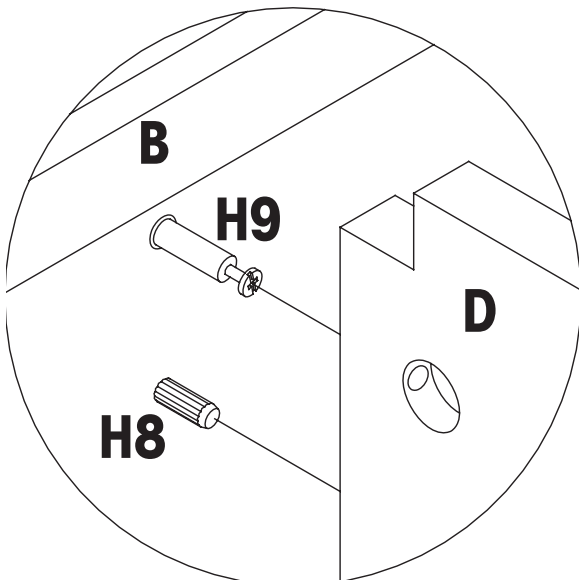
H19
(2 PCS)



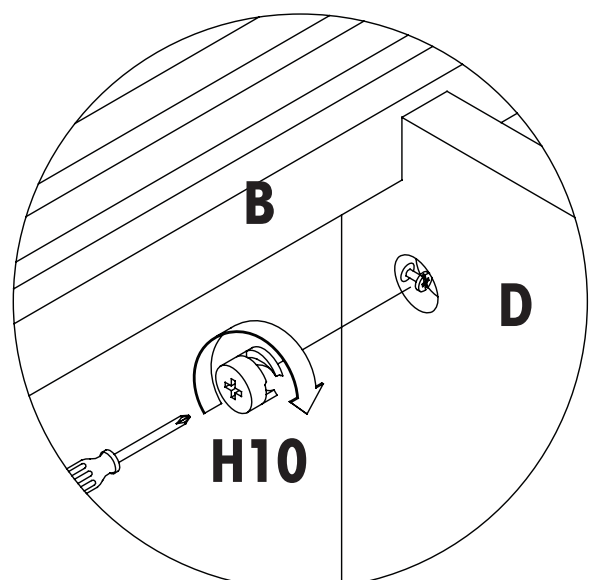
STEP 1



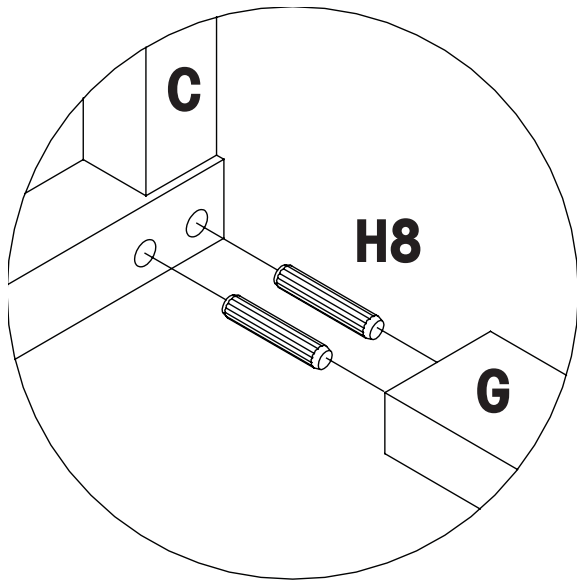
STEP 2



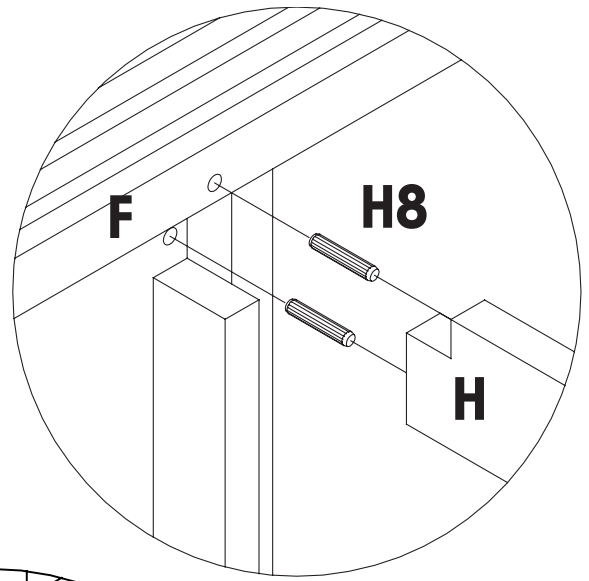
STEP 3



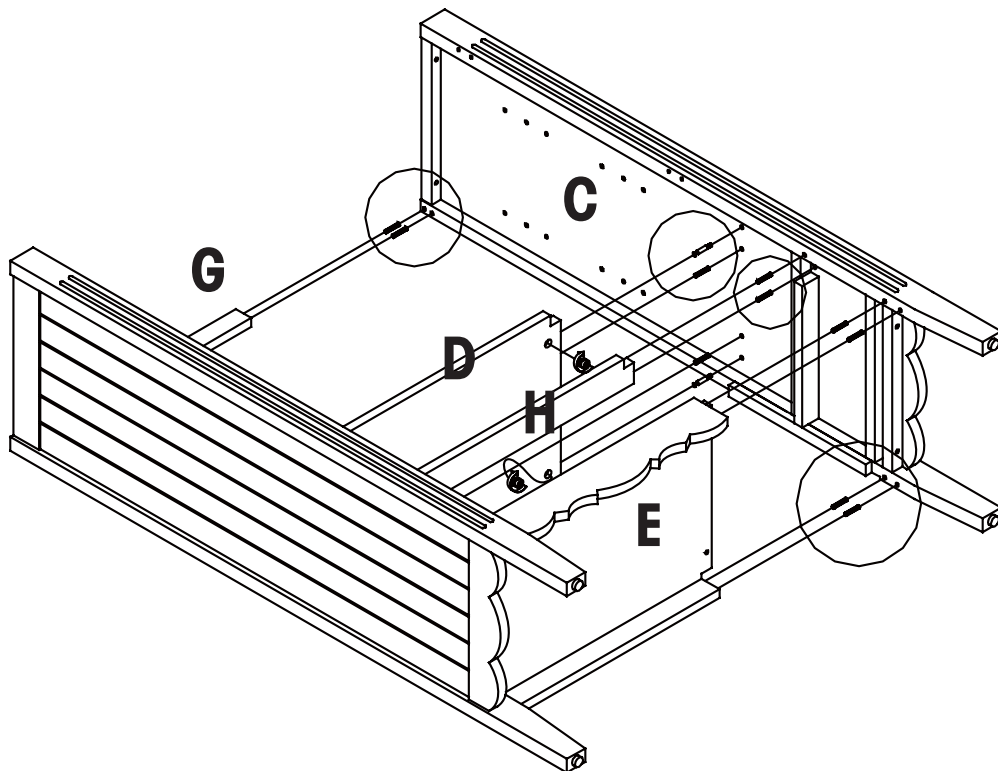
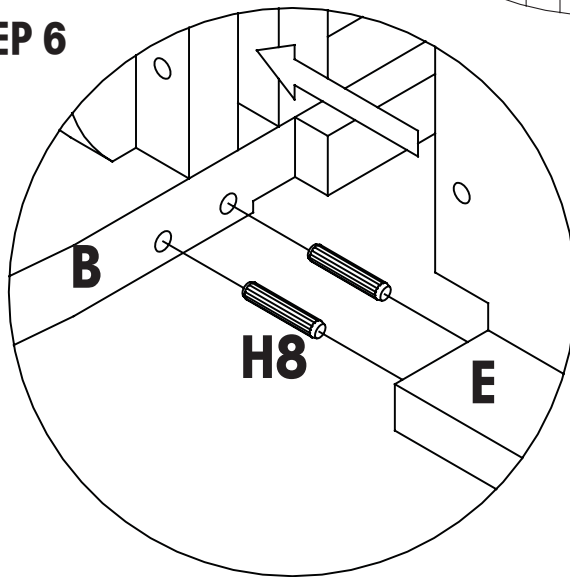
STEP 4



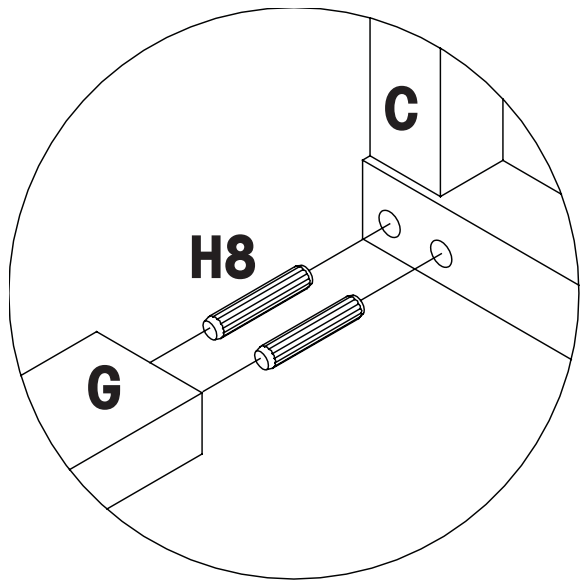
STEP 5



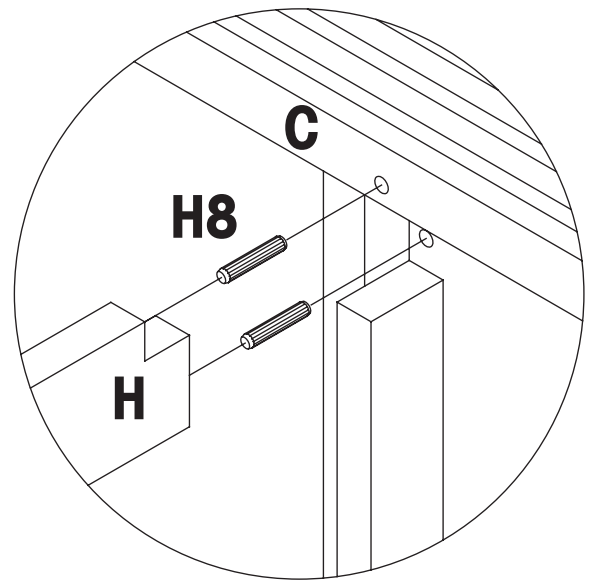
STEP 6



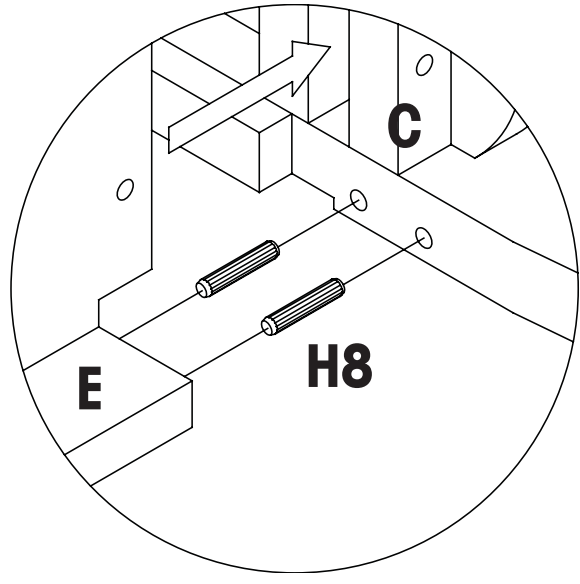
STEP 7



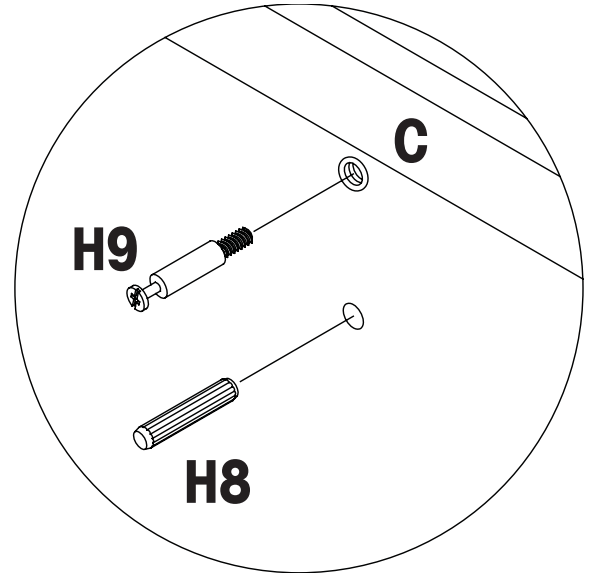
STEP 8



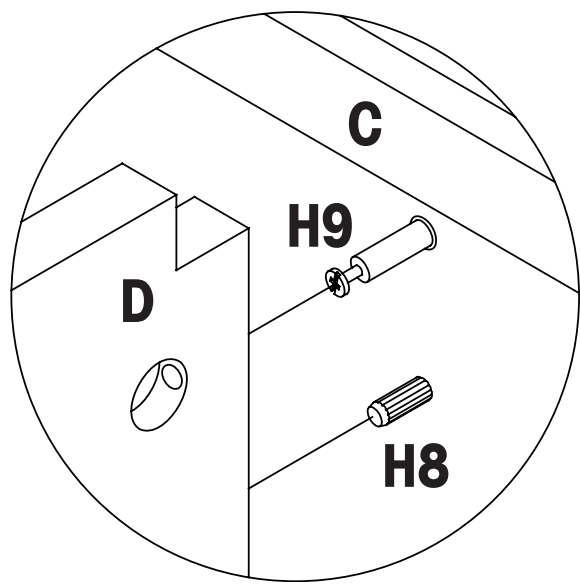
STEP 9



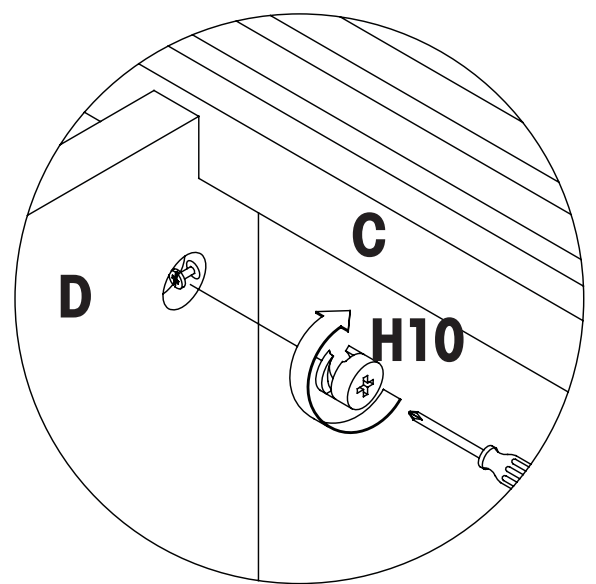
STEP 10



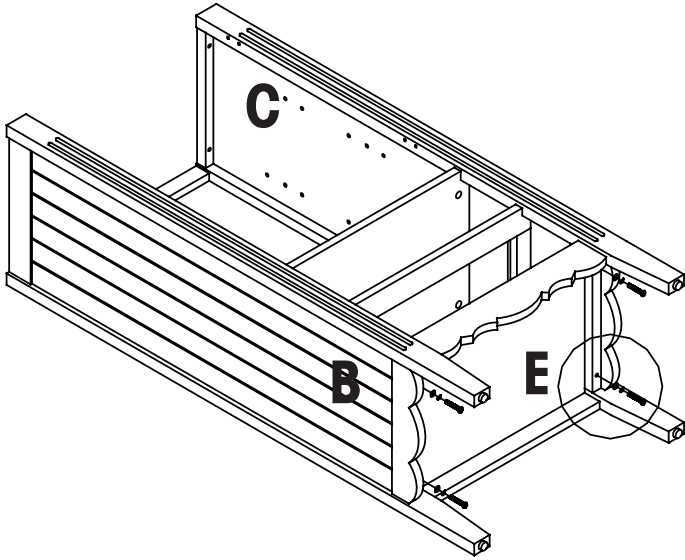
STEP 11



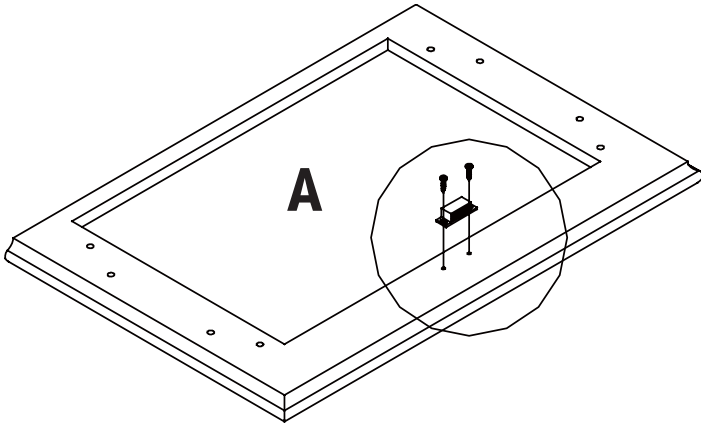
STEP 12



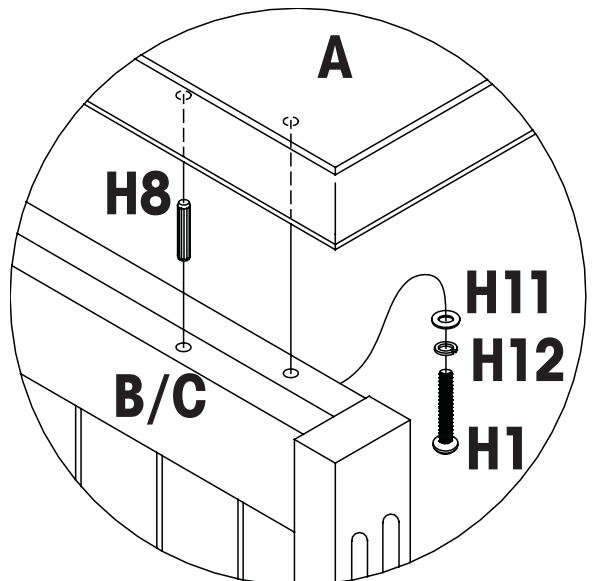
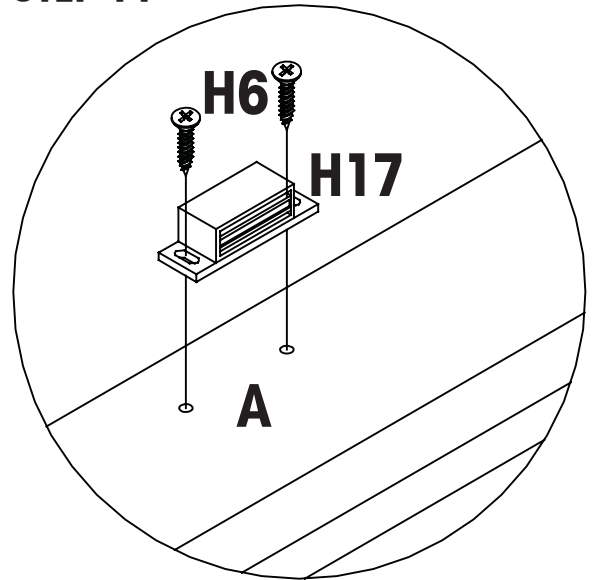
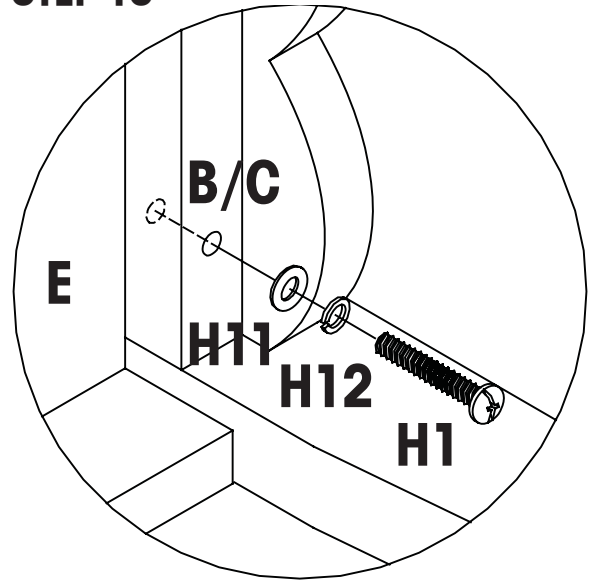
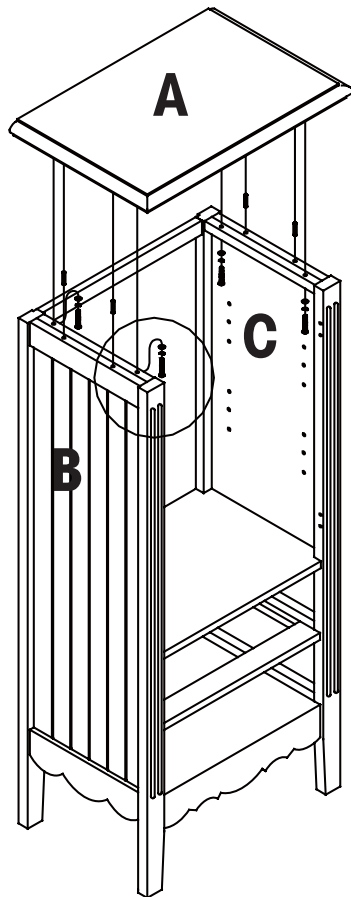
STEP 13

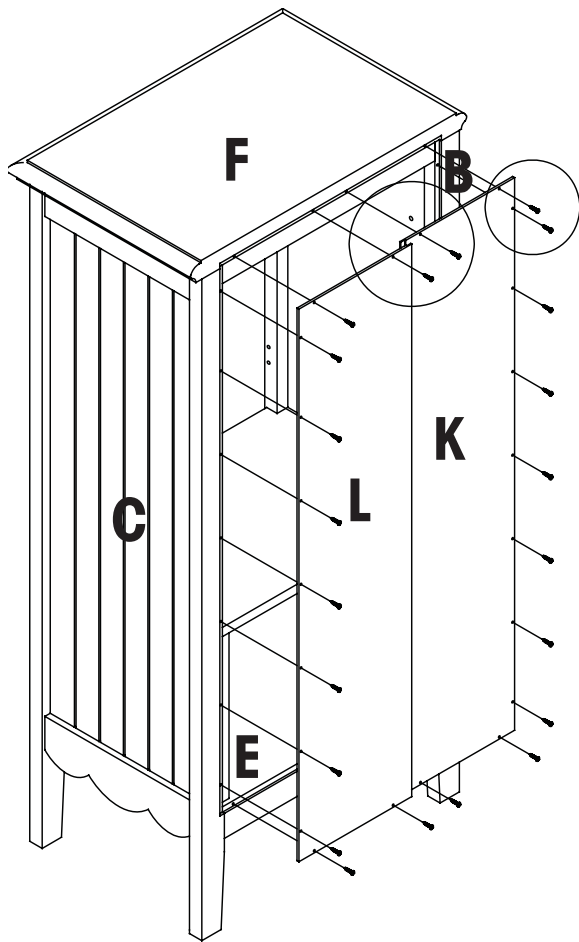


STEP 14

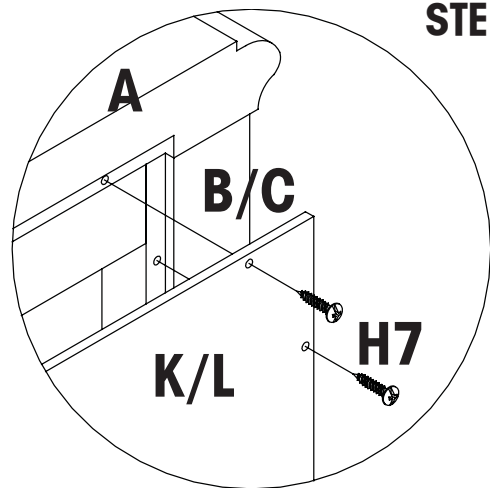


STEP 15

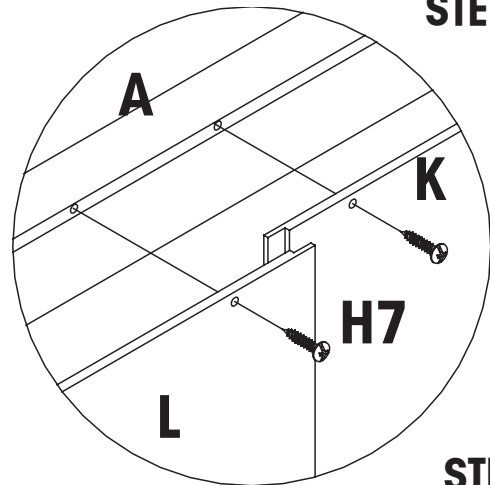




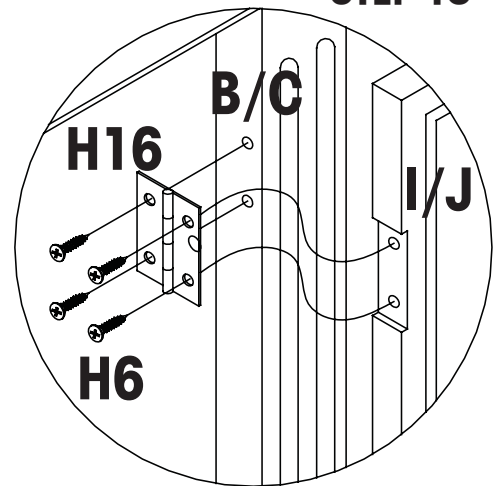
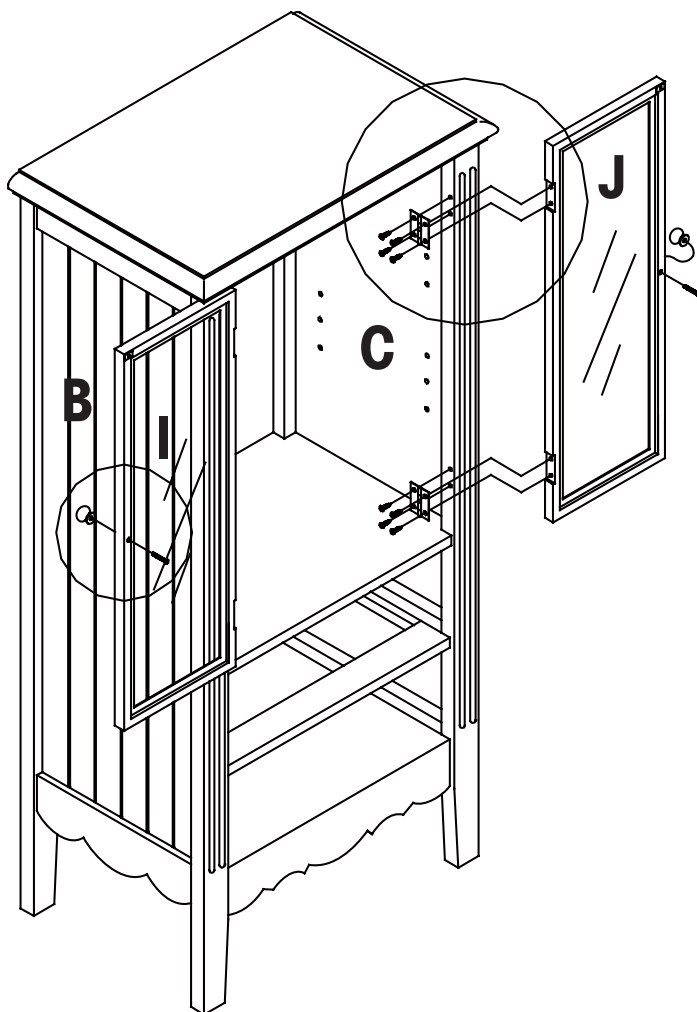
STEP 16



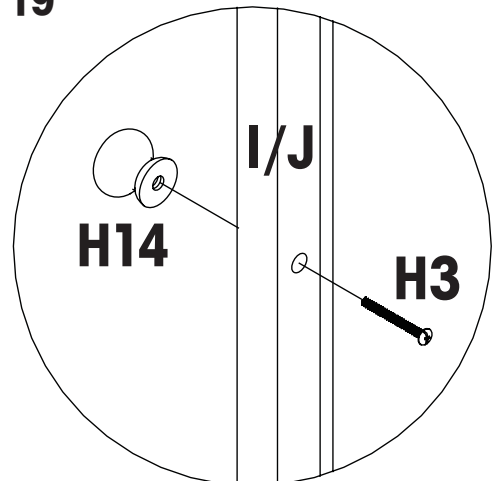
STEP 17



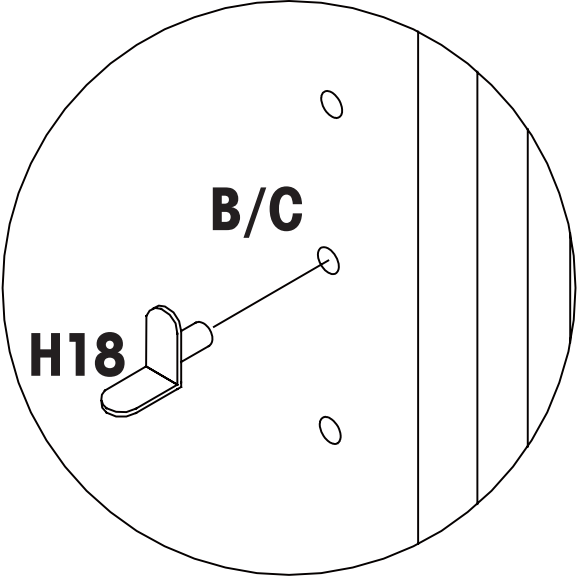
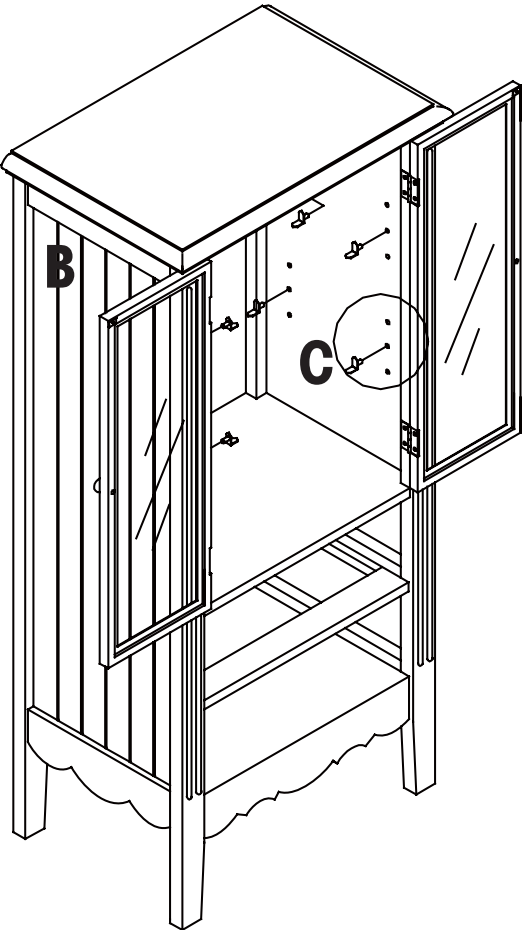
STEP 18



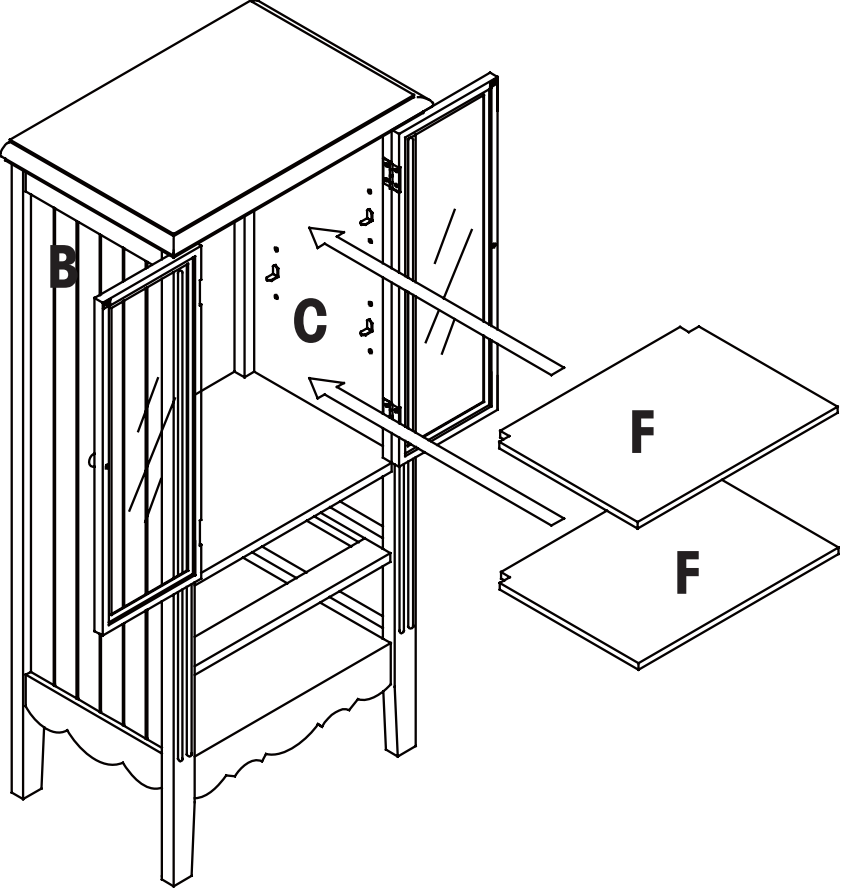
STEP 19



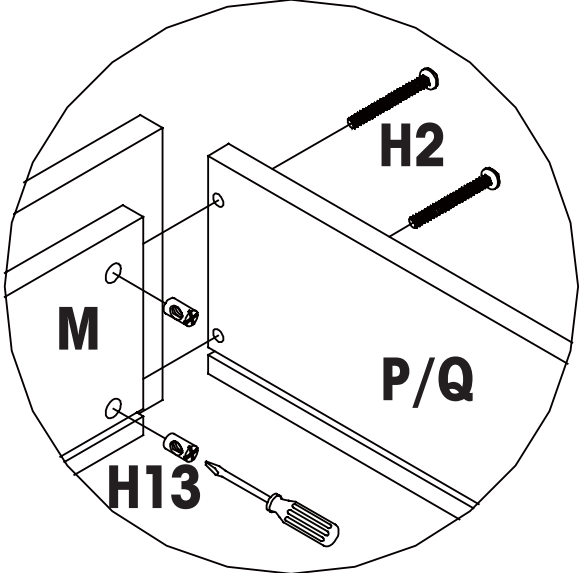
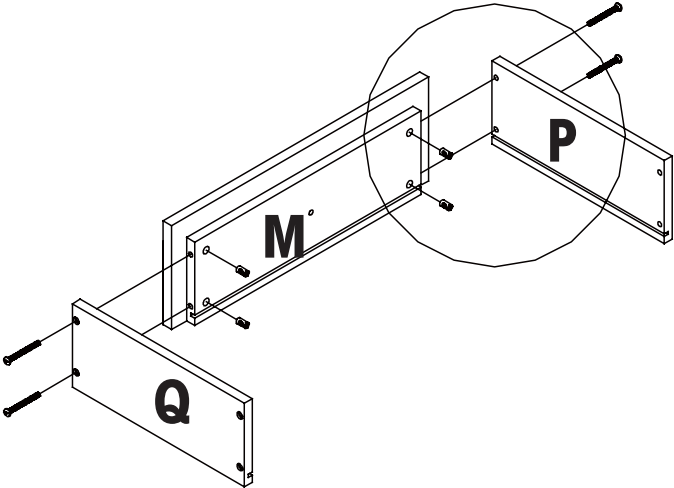
STEP 20



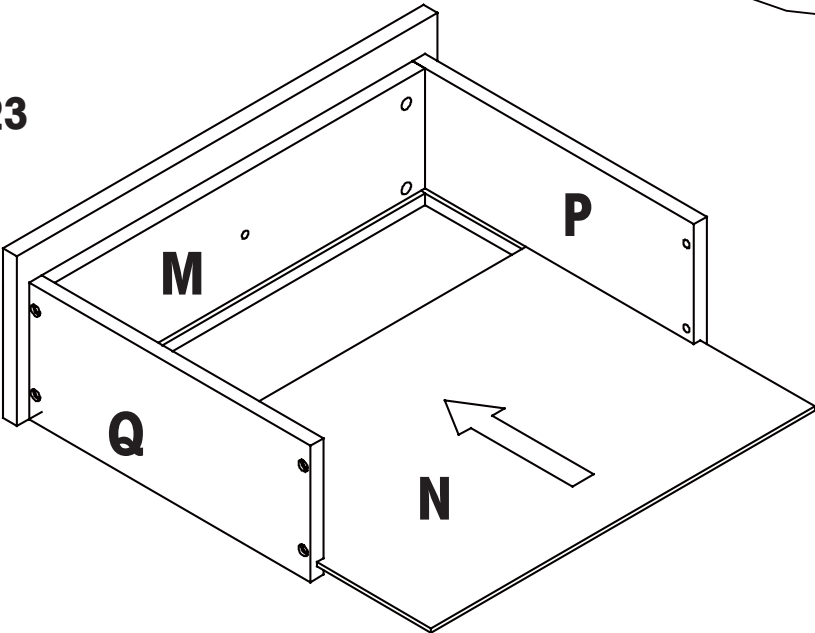
STEP 21



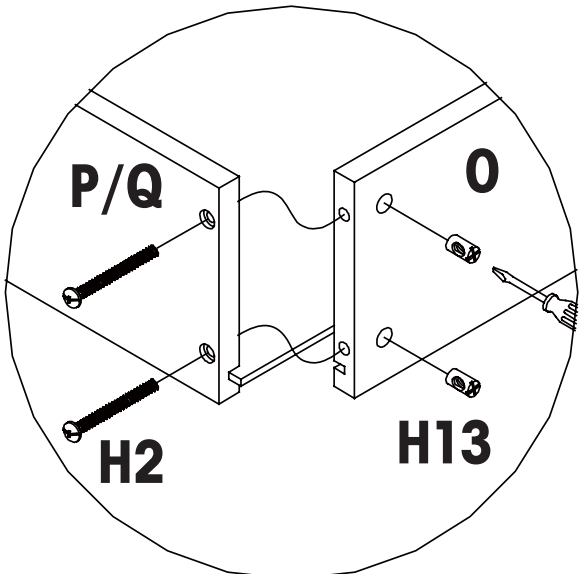
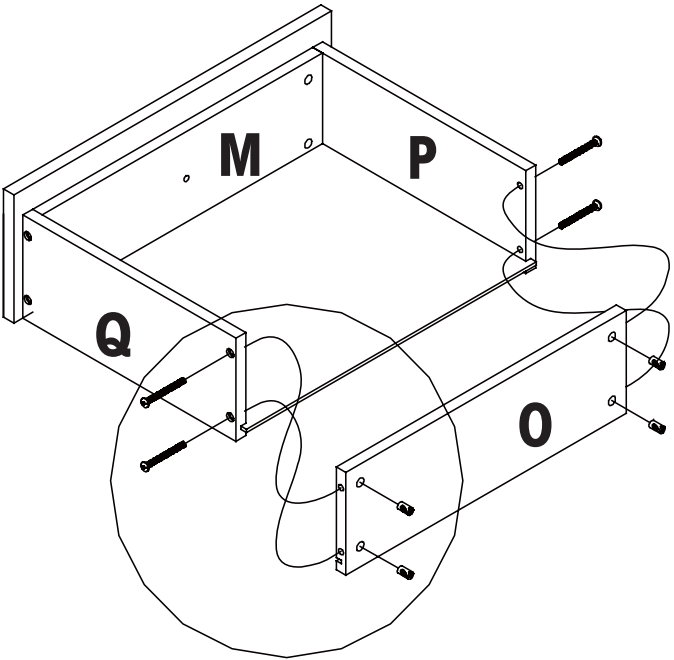
STEP 22



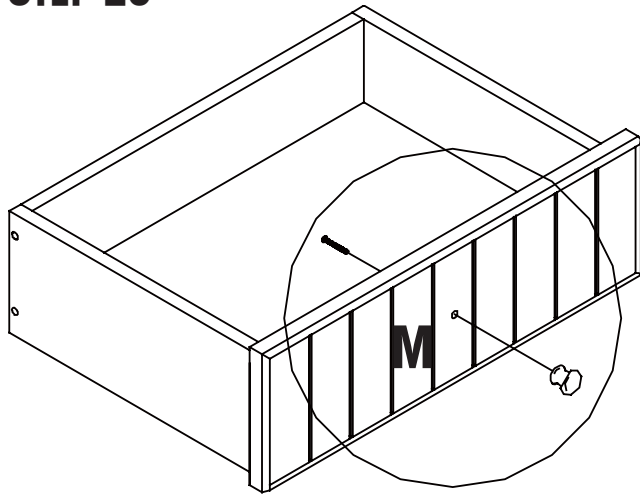
STEP 23



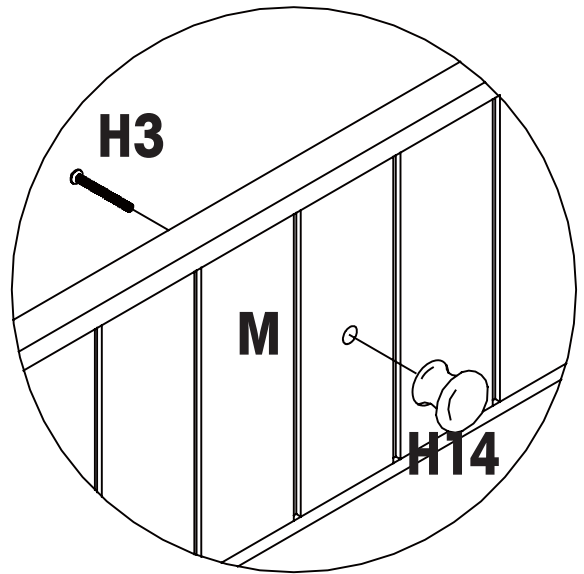
STEP 24



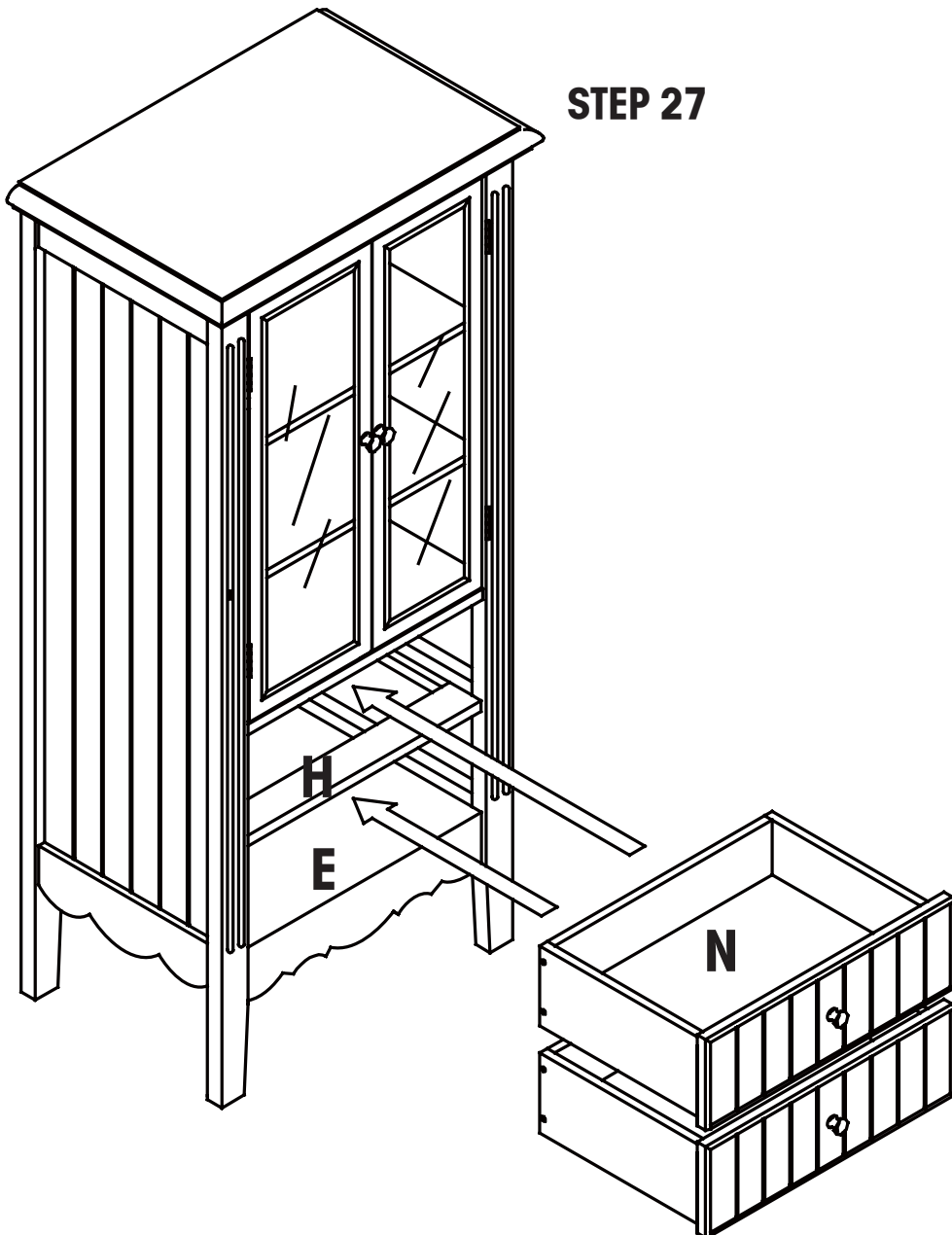
STEP 25



STEP 26

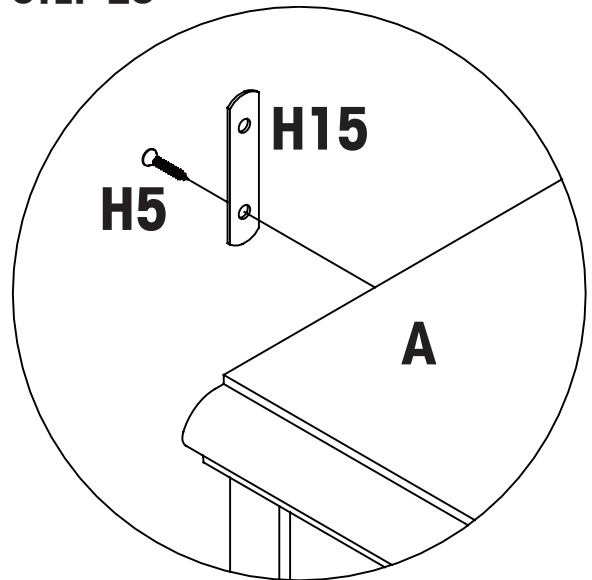


STEP 27

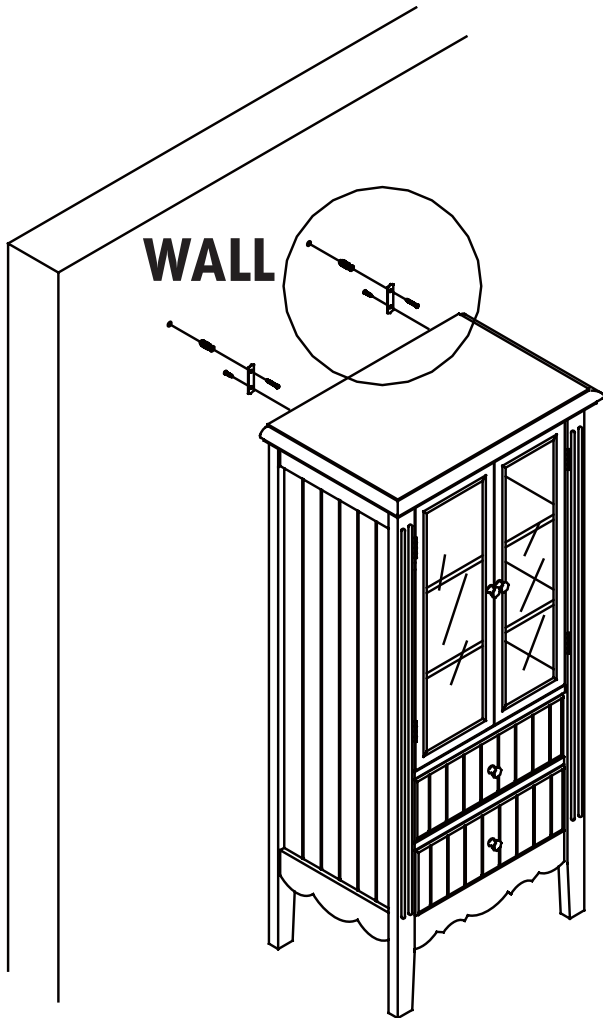
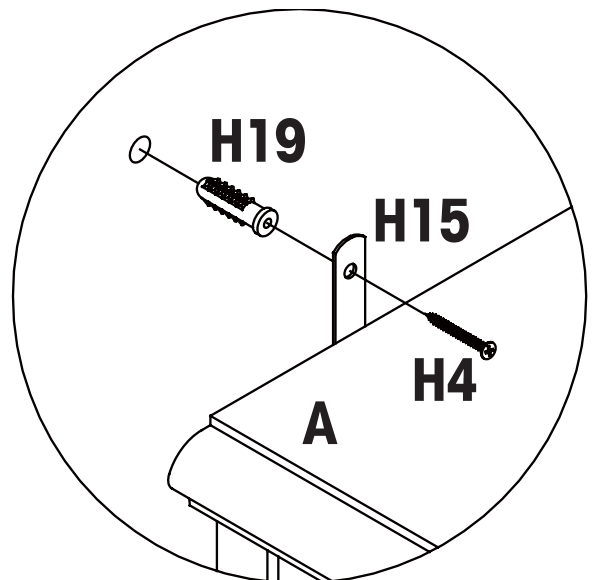


**TO PREVENT TIP OVER
PRODUCT MUST BE ATTACHED TO WALL**

STEP 28



STEP 29



MODEL NO. 284-296/P1 BUTTER YELLOW
285-296/P1 SAGE GREEN
286-296/P1 CRIMSON RED
270-296/P1 PURE WHITE

Should there be any missing or defective part(s), **place your part order on line at www.powellcompany.com**, or fax this form to (310)841-0842, or call Customer Service at (800) 622-4456, PLEASE HAVE THE MODEL NUMBER, PART CODE AND FACTORY CODE IDENTIFIED

Part Letter _____ Quantity _____

Reason for replacement _____

Place of purchase _____

Date of purchase _____

Name _____

Address _____

City _____ State _____ Zip _____

(No Post Office Box Addresses)

Best contact phone number(_____) _____

Factory Code (AB)
Made in China

Rev. 7/22/08

© 2007 Powell