

4

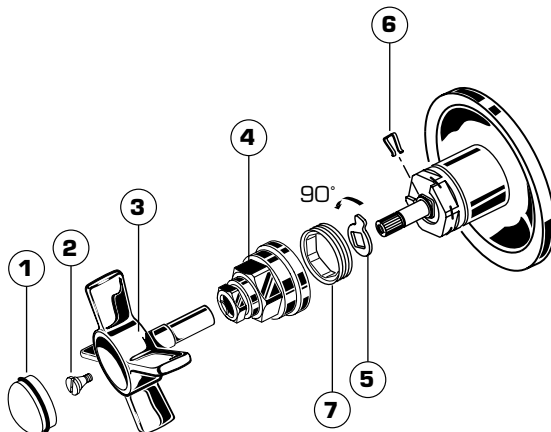
TEST INSTALLED VALVE

- Turn HANDLE into OFF position.
- Turn on water supply, open stop and check all connections for leaks.
- Operate HANDLE to flush water lines thoroughly.
- Turn handle OFF.

5

SERVICE

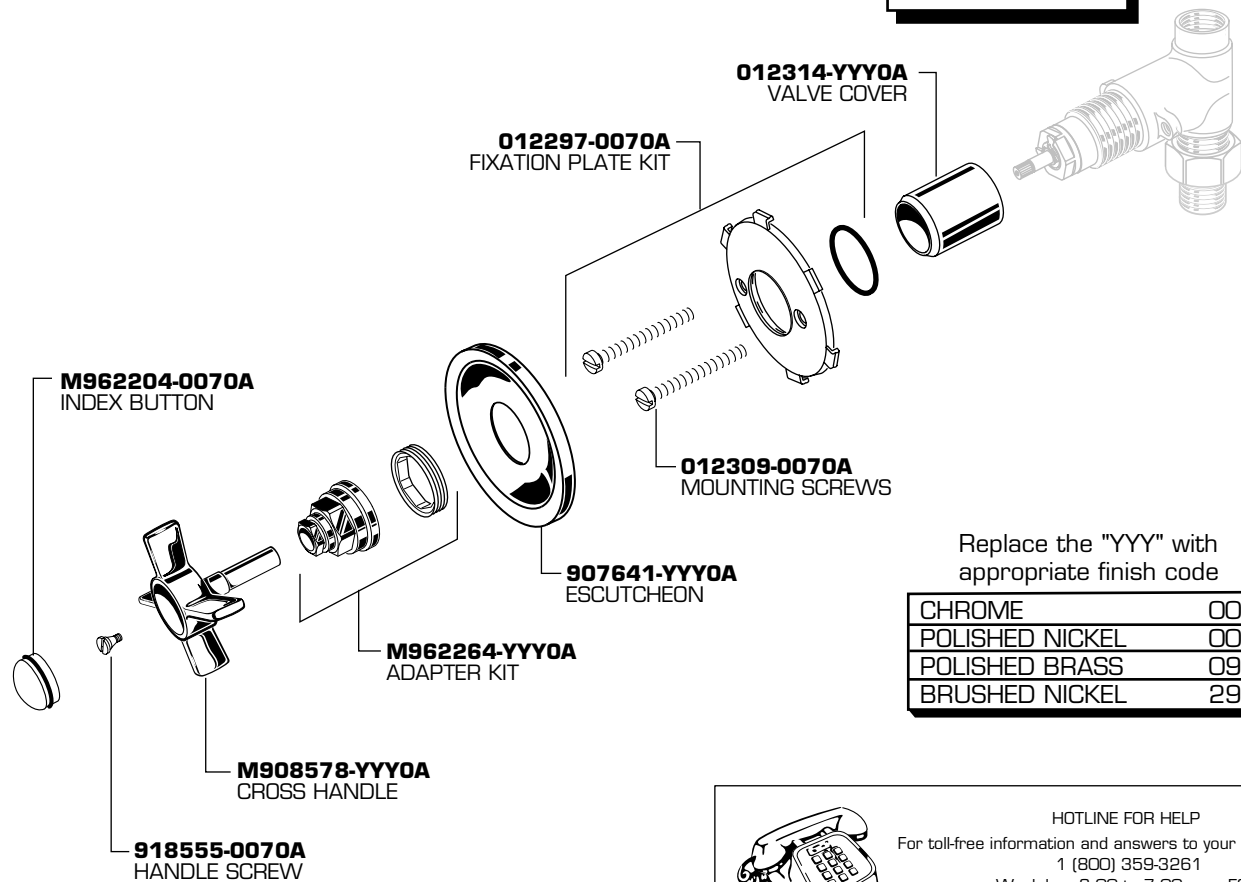
- To change direction of handle rotation, proceed as follows:
 - Turn valve to OFF position.
 - Pull out INDEX CAP (1) and remove HANDLE SCREW (2).
 - Pull off HANDLE (3) and unscrew BONNET NUT (4).
 - Pry off bonnet ADAPTER (7) with small flat screwdriver.
 - Remove SPRING CLIP (6).
 - Lift STOP WASHER (5), turn 90° and replace.
 - Replace SPRING CLIP (6).
 - Reinstall ADAPTER (7), BONNET NUT (4) and HANDLE ASSEMBLY (3, 2, 1).
- If dripping occurs, operate handle several times from OFF to ON position. Do not force - handle turns only 90°.



PORCHER®

REPRISE WALL VALVE TRIM

5535.720
T535.720



Replace the "YYY" with appropriate finish code

CHROME	002
POLISHED NICKEL	008
POLISHED BRASS	099
BRUSHED NICKEL	295



HOTLINE FOR HELP

For toll-free information and answers to your questions, call:
1 (800) 359-3261
Weekdays 8:00 to 7:00 p.m. EST
IN CANADA 480-961-5353

Product names listed herein are trademarks of Porcher, Ltd.
©Porcher, Ltd. 2001

M968452B