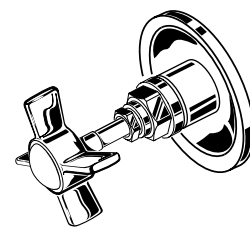


# PORCHER®

## Installation Instructions

### REPRISE WALL VALVE TRIM

5535.720  
T535.720



Thank you for selecting Porcher Products.

To ensure that your installation proceeds smoothly—please read these instructions carefully before you begin.

Certified to comply with ANSI A112.18.1M  
U.S. Patent No. 5,819,789

M968452B

# 1

### CAUTION

Turn off hot and cold water supplies before beginning.

#### ROUGHING-IN FITTING

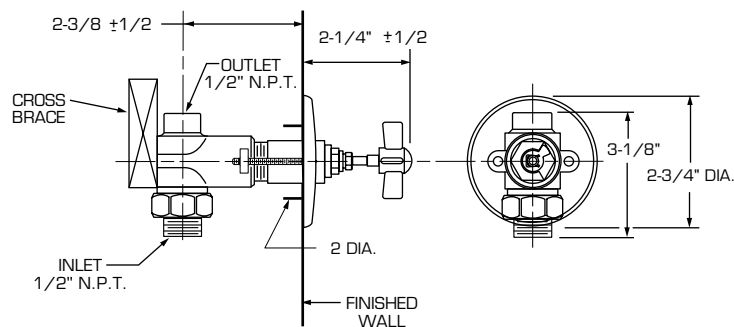
- See rough valve Instructions for rough-in information.

# 2

### INSTALLATION

- Remove SCREWS (1) holding PLASTER GUARD (2) and pull PLASTER GUARD (2) from valve body.
- Slip VALVE COVER (3) over VALVE CARTRIDGE (4). Push VALVE COVER (3) to complete stop.
- Check that O-RING (5) is in FIXATION PLATE (6) as shown.
- Place FIXATION PLATE (6) over VALVE ASSEMBLY. Line up holes in FIXATION PLATE (6) with THREADED TABS (8) on VALVE.
- Pass MOUNTING SCREWS (7) through FIXATION PLATE (6) and engage THREADED TABS (8). Tighten SCREWS (7) securely.
- Place ESCUTCHEON (9) over FIXATION PLATE (6) and push evenly for a snap fit.

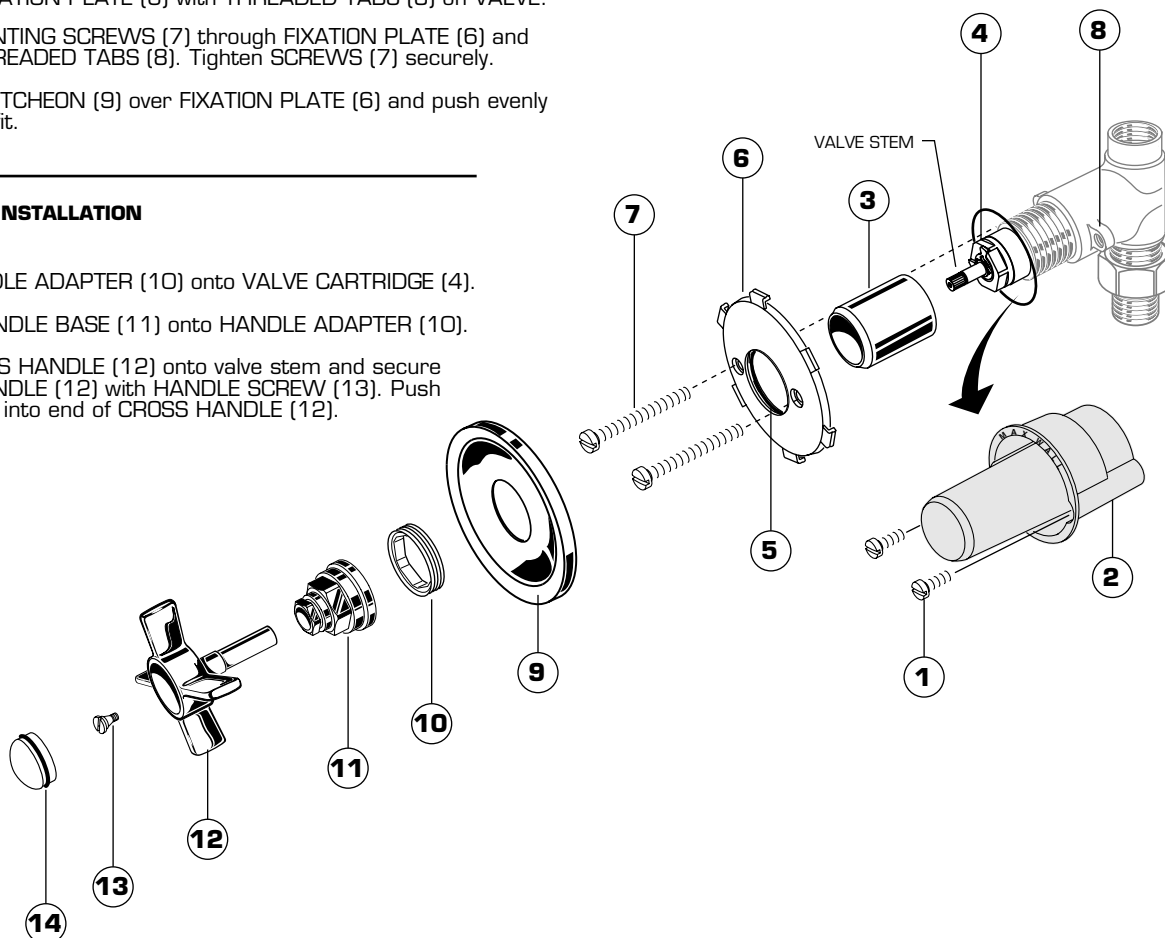
### ROUGHING-IN DIMENSIONS



# 3

### HANDLE INSTALLATION

- Push HANDLE ADAPTER (10) onto VALVE CARTRIDGE (4).
- Thread HANDLE BASE (11) onto HANDLE ADAPTER (10).
- Push CROSS HANDLE (12) onto valve stem and secure CROSS HANDLE (12) with HANDLE SCREW (13). Push INDEX (14) into end of CROSS HANDLE (12).



# 4

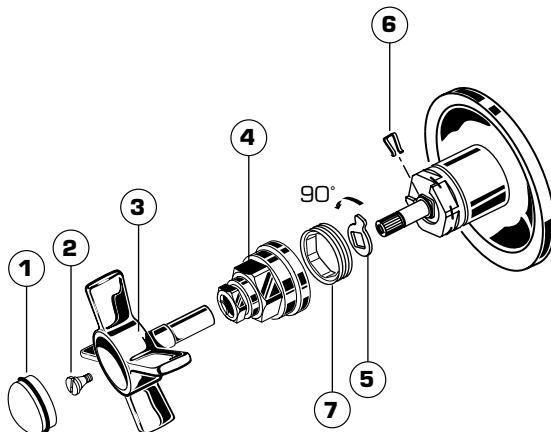
## TEST INSTALLED VALVE

- Turn HANDLE into OFF position.
- Turn on water supply, open stop and check all connections for leaks.
- Operate HANDLE to flush water lines thoroughly.
- Turn handle OFF.

# 5

## SERVICE

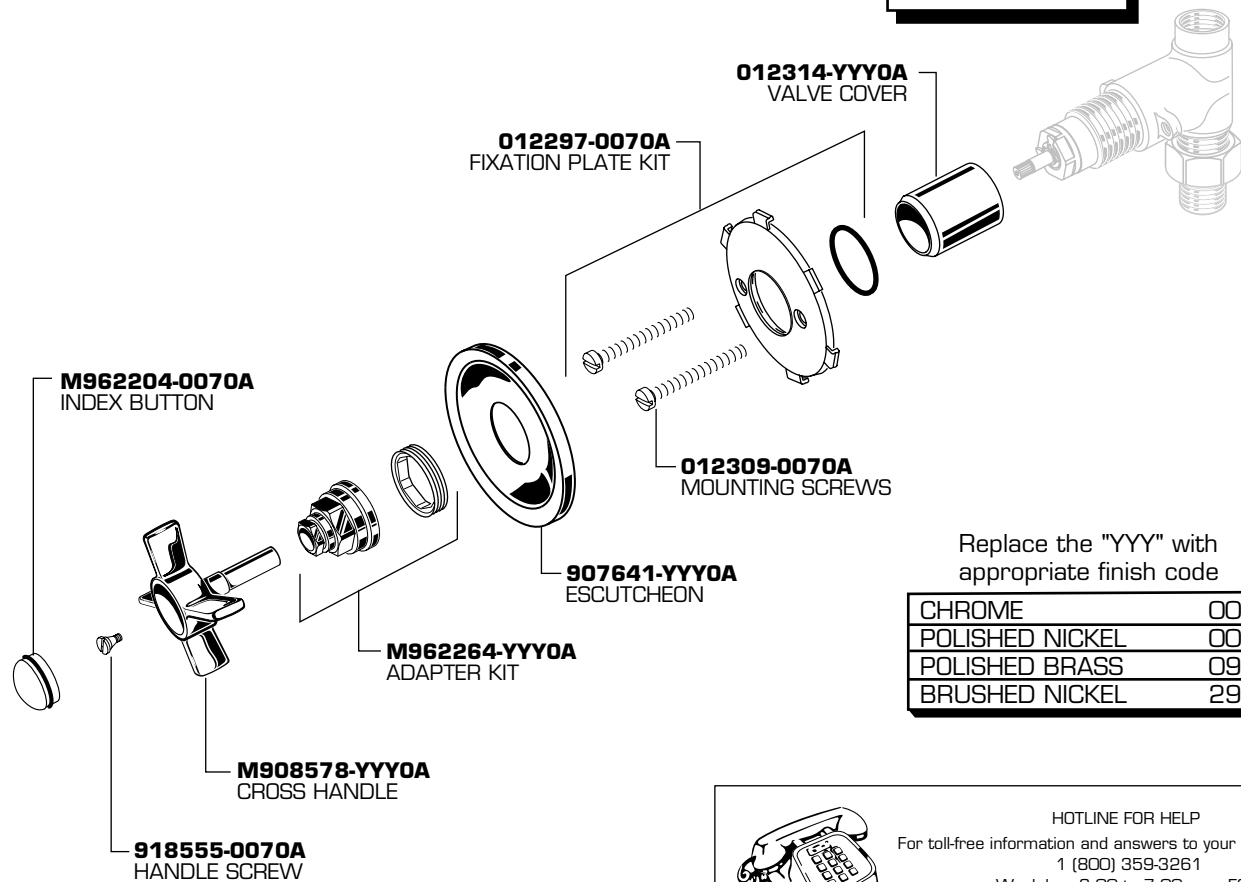
- To change direction of handle rotation, proceed as follows:
  - Turn valve to OFF position.
  - Pull out INDEX CAP (1) and remove HANDLE SCREW (2).
  - Pull off HANDLE (3) and unscrew BONNET NUT (4).
  - Pry off bonnet ADAPTER (7) with small flat screwdriver.
  - Remove SPRING CLIP (6).
  - Lift STOP WASHER (5), turn 90° and replace.
  - Replace SPRING CLIP (6).
  - Reinstall ADAPTER (7), BONNET NUT (4) and HANDLE ASSEMBLY (3, 2, 1).
- If dripping occurs, operate handle several times from OFF to ON position. Do not force - handle turns only 90°.



# PORCHER®

## REPRISE WALL VALVE TRIM

**5535.720**  
**T535.720**



Replace the "YYY" with appropriate finish code

CHROME	002
POLISHED NICKEL	008
POLISHED BRASS	099
BRUSHED NICKEL	295



### HOTLINE FOR HELP

For toll-free information and answers to your questions, call:  
1 (800) 359-3261  
Weekdays 8:00 to 7:00 p.m. EST  
IN CANADA 480-961-5353

Product names listed herein are trademarks of Porcher, Ltd.  
©Porcher, Ltd.2001

M968452B