

### LUTEZIA ELONGATED 2-PIECE TOILET, MODEL 9016X

- Design-matched to Traditional Collection
- Vitreous china construction
- Close-coupled tank with side-mounted chrome, polished brass, or brushed nickel trip lever
- Available in white or biscuit
- Low-consumption, quiet refill (1.6 gpf/6.0 Lpf)
- Elongated siphon action jetted bowl with exposed trapway
- Rim height at 16-5/8" (422mm)
- Internal trapway area fully glazed
- 100% factory flush tested
- Includes color-matched bolt caps



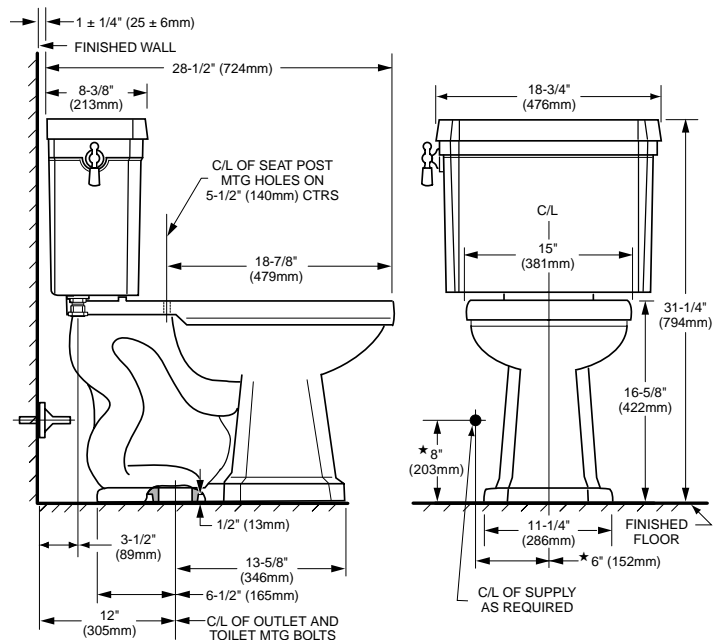
- 90160** Toilet complete with chrome trip lever, includes:
  - 41160 Tank with chrome trip lever
  - 40150 Elongated bowl
  
- 90162** Toilet complete with polished brass trip lever, includes:
  - 41162 Tank with polished brass trip lever
  - 40150 Elongated bowl
  
- 90165** Toilet complete with brushed nickel trip lever, includes:
  - 41165 Tank with brushed nickel trip lever
  - 40150 Elongated bowl

**Nominal Overall Dimensions:**  
28-1/2" x 18-3/4" x 31-1/4" (724 x 476 x 794mm)

Hydraulic performance, water surface area, trap seal depth, ballpass diameter, and all fixture dimensions meet or exceed ANSI Standard A112.19.2M requirements.

#### To Be Specified

- Color:
- Supply with stop:
- Seat: Lutezia #71020 solid wood elongated seat with cover and chrome hinges.
- Seat: Lutezia #71022 solid wood elongated seat with cover and polished brass hinges.
- Seat: Lutezia #71025 solid wood elongated seat with cover and brushed nickel hinges.



**NOTES:**  
THIS TOILET IS DESIGNED TO ROUGH-IN AT A MINIMUM DIMENSION OF 12" (305MM) FROM FINISHED WALL TO C/L OF OUTLET.  
SUPPLY NOT INCLUDED WITH FIXTURE AND MUST BE ORDERED SEPARATELY.  
★ DIMENSIONS SHOWN FOR LOCATION OF SUPPLY ARE SUGGESTED.  
IMPORTANT: Dimensions of fixtures are nominal and may vary within the range of tolerances established by ANSI Standard A112.19.2M.  
These measurements are subject to change or cancellation. No responsibility is assumed for use of superseded or voided pages.



TOILET HEIGHT of 16-5/8" (422mm) IS IN COMPLIANCE WITH AMERICAN DISABILITIES ACT (ADA) GUIDELINES AND ANSI A117.1 REQUIREMENTS FOR THE PHYSICALLY CHALLENGED.

**SPS 9016X**