

## CALLA™ 6' STAYCLEAN™ WHIRLPOOL, 60080

- Design-matched to Calla suite products
- Acrylic with fiberglass reinforcement
- Factory installed and tested StayClean™ whirlpool system featuring Antimicrobial AlphaSan®
  - StayClean whirlpool components are used to provide the most effective method to keep the whirlpool clean
  - StayClean is a patented mold and mildew inhibitor effective against bacterial damage, stains and odor thus requiring less effort by the user to keep the tub clean and fresh
- 2.0 HP, two-speed self-draining pump/motor with In-Line Heater
- Deck-mounted electronic Hi/Lo/Off switch with 20 minute built-in timed safety shut off and chrome bezel
- 6 Multi-directional, individually flow-rate adjustable body massage jets
- Multiple air volume controls
- UL approved entire whirlpool system
- Textured tub bottom pattern
- Suitable for applications as pier, island, or peninsula-type installation
- Integral sump support feet
- Available in white or biscuit colors
- Made in USA



- 60080** Calla Whirlpool Only

### Nominal Dimensions:

69-1/2" x 34-3/4" x 24" (1765 x 883 x 610mm)

### Compliance Certifications –

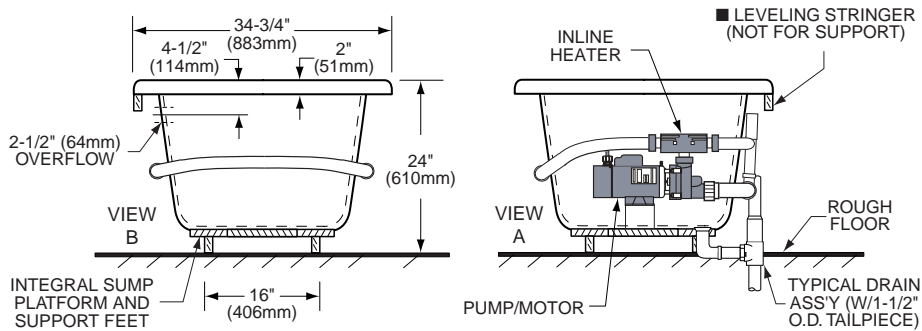
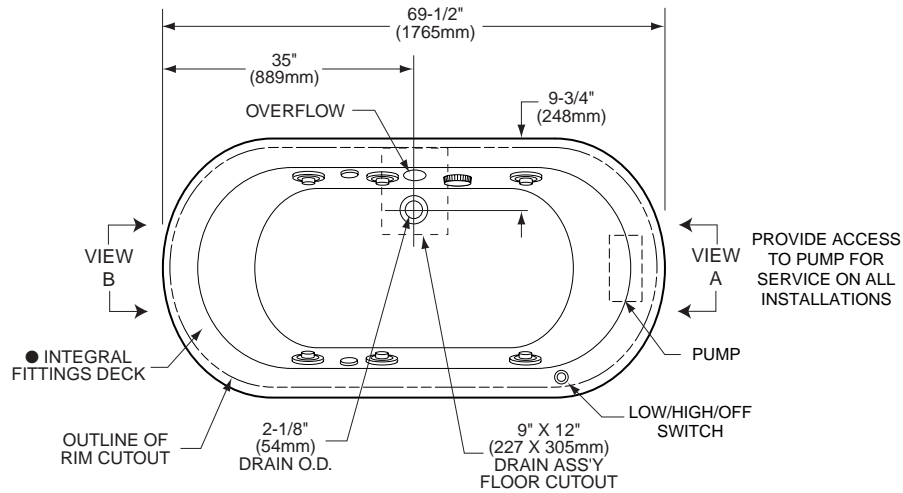
#### Meets or Exceeds the Following Specifications:

- Underwriters Laboratories – Hydromassage Bathtubs UL 1795
- ASME 112.197M for Whirlpool Appliances
- ANSI Z124.1 for Plastic Bathtubs
- ASTM E162 for Flammability
- NFPA 258 for Smoke Density

### To Be Specified (Required):

- Color
- Bath Filler: (specify finish)
- Rotary Drain (chrome): 85020; or
- Rotary Drain (polished brass): 85022; or
- Rotary Drain (brushed nickel): 85025; or
- Rotary Drain (polished nickel): 85028
- Jet Trim Rings (chrome): 98600; or
- Jet Trim Rings (polished brass): 98602

ROUGH IN DIAGRAM AND  
PRODUCT SPECIFICATIONS  
SHOWN ON REVERSE SIDE



### GENERAL SPECIFICATIONS FOR 60080 WHIRLPOOL

INSTALLED SIZE	69-1/2" x 34"-3/4 x 24" (1765 x 883 x 610mm)
WEIGHT	107 Lbs. (49 Kg)
WEIGHT W/WATER	657 Lbs. (298 Kg)
GALLONS TO OVERFLOW	66 Gal. (250 L)
WHIRLPOOL MINIMUM OPERATING VOLUME	49 Gal. (185L)
BATHING WELL AT SUMP	44" x 21" (1118 x 533mm)
BATHING WELL AT RIM	60" x 25-1/2" (1524 x 648mm)
WATER DEPTH TO OVERFLOW	17" (432 mm)
FLOOR LOADING (PROJ. AREA)	38.9 Lbs./Sq. Ft. (190 Kgs/Sq. m)
POINTS	47.6
CARTON VOLUME	63 Cu. Ft. (1.78 Cu. m)
CARTON SHIPPING WEIGHT	160 Lbs. (73 Kg)

### WHIRLPOOL ELECTRICAL SPECIFICATIONS

SYSTEM II PUMP	2.0 HP, 15.6 AMPS, 120V
SYSTEM II IN-LINE HEATER	12 AMPS, 120V

#### NOTES:

BATH CAN BE INSTALLED EITHER ABOVE OR BELOW FLOOR LINE AS PIER, ISLAND OR PENINSULA TYPE INSTALLATION. SUMP OF BATH IS SUPPORTED BY INTEGRAL FEET. NO ADDITIONAL SUPPORT REQUIRED. ENCLOSING MATERIALS BY OTHERS.

● IF INSTALLING A DECK-MOUNTED FITTING, BEFORE DRILLING ANY HOLES: CHECK FOR INTERFERENCE WITH CIRCULATING SYSTEM PIPING AND DRAIN OVERFLOW. MOUNTING HOLES DRILLED BY INSTALLER.

■ REFER TO INSTALLATION INSTRUCTIONS SUPPLIED WITH WHIRLPOOL FOR ADDITIONAL INFORMATION. FITTINGS NOT INCLUDED AND MUST BE ORDERED SEPARATELY. PROVIDE SUITABLE REINFORCEMENT FOR ALL SUPPORTS.

IMPORTANT: Dimensions of fixtures are nominal and may vary within the range of tolerances established by ANSI Standard Z124.1. These measurements are subject to change or cancellation. No responsibility is assumed for use of superseded or voided leaflet.