

CALLA II CABINET, KIT # 89860

- Design-matched to Calla Suite II products
- Inspired by design trends of the late 1930's
- Manufactured from select Maple solids and veneers hand finished for quality in Natural Cherry (670)
- Front Wood door and bottom pull out shelf open to reveal enhanced storage
- Design coordinated for Archive™ faucet collection
- Drawer handles come attached in Chrome. Faucet not included and must be ordered separately
- Optional Polished and Brushed Nickel handle kits available

Required Kit Components:

- 89290** Cabinet only with chrome handles in Natural Cherry finish (670)
- 20368** Calla II Lavatory slab with 1-3/8" dia. holes on 8" (203mm) centers

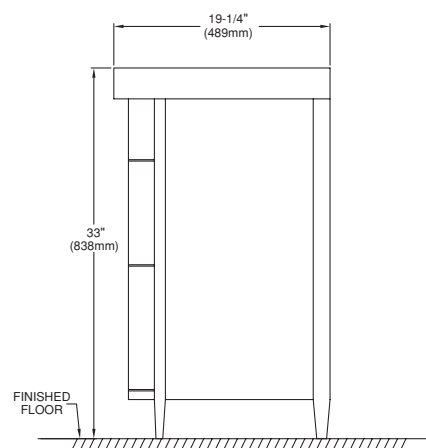
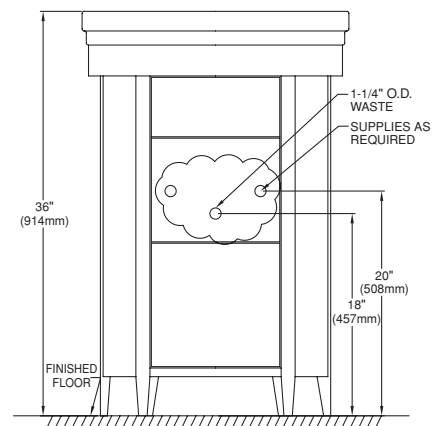
Optional Handle Kits:

- 00290-00.008** Polished Nickel (008) handles (3) kit
- 00290-00.295** Brushed Nickel (295) handles (3) kit

Nominal Dimensions:

23-3/4" x 20-1/8" x 36" (603 x 511 x 914mm)

Fixture Dimensions conform to ANSI Standard A112.19.2M & A112.19.3M



NOTES:

- ★ DIMENSIONS SHOWN FOR LOCATION OF SUPPLIES AND "P" TRAP ARE SUGGESTED. PROVIDE SUITABLE REINFORCEMENT FOR ALL WALL SUPPORTS. FITTINGS NOT INCLUDED AND MUST BE ORDERED SEPARATELY. INSTALLATION INSTRUCTIONS SUPPLIED WITH CABINET.

IMPORTANT: Dimensions of fixtures are nominal and may vary within the range of tolerances established by ANSI Standard A112.19.3M. These measurements are subject to change or cancellation. No responsibility is assumed for use of superseded or voided pages.