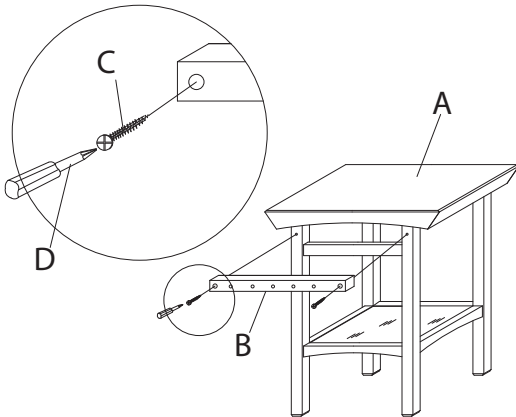
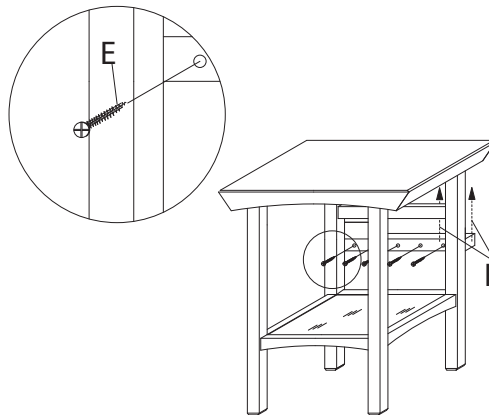


STEP 1



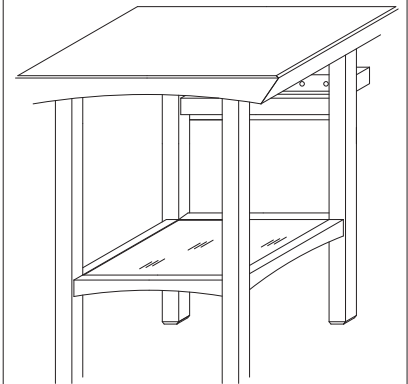
C	SCREWS	2 pcs
B	BRACKET	1 p

STEP 2



E	SCREWS	Not included*
F	HEIGHT	Place above rear spanner**

Complete



ASSEMBLY INSTRUCTIONS

NOTE: PLEASE REFER TO THE DRAWINGS.

1. Begin by placing the Zen Table Base (A) front- side down on a clean soft surface, such as a carpet or a heavy blanket.
2. Position the Wall Mounting Bracket (B) across the back legs of the Console (this is the side with the stretcher) just under the top overhang. Be sure that the bracket (B) is level and positioned equally on the back legs.
3. Attach the bracket to the table legs using the wood screws (C) on each leg, as shown in the diagram.
4. Tighten the screws to assure a secure fit.
5. After the Mounting Bracket is properly attached, turn the Zen table upright, and place in desired location
6. Once the table is in location, attach to the wall using anchors that are appropriate for the wall material. (Consult your architect or contractor)
7. Installation of all plumbing including sink and faucet is recommended to be done by a plumbing professional.

*Screws from the mounting bracket to the wall not included as different wall types and installations may call for different types of screws or bolt fasteners.
 **Mounting bracket should be installed above rear support spanner if possible

PORCHER FURNITURE LIMITED WARRANTY

If inspection of this Porcher plumbing product, within one year after its initial purchase, confirms that it is defective in materials or workmanship, Porcher will repair or, at its option, exchange the product for a similar model. Variations in actual wood color and finishes which may result from natural characteristics of the wood, such as grain patterns, mineral streaks and the like, are not defects and are not covered by this warranty.

This warranty applies only to the original purchaser and installation of these products. In the event of a claim, proof of purchase will be required; save your receipt.

This limited warranty does not apply to local building code compliance. Since local building codes vary considerably, the purchaser of this product should check with a local building or plumbing contractor to insure local code compliance before installation.

This warranty is void if the product has been moved from its initial place of installation; if it has been subjected to faulty maintenance, abuse, misuse, accident or other damages; if it was not installed in accordance with Porcher® instructions; or if it has been modified in a manner inconsistent with the product as shipped by Porcher.

Porcher® option to repair or exchange the product under this warranty does not cover any labor or other costs of removal or installation, nor shall Porcher be responsible for any other incidental or consequential damages attributable to a product defect or to the repair or exchange of a defective product, all of which are expressly excluded from this warranty. This limited warranty does not cover any liability for consequential or incidental damages, all of which are hereby expressly disclaimed, or the extension beyond the duration of this limited warranty of any implied limited warranties, including those of merchantability or fitness for an intended purpose. (Some states or provinces do not allow the exclusion or limitation of implied warranties, so this exclusion may not apply to you).

This warranty gives you specific legal rights. You may have other statutory rights that vary from state to state or province to province, in which case this warranty does not affect such statutory rights.