

### BEDMINSTER™ 6' OVAL BATHING POOL, 60030

- Design-matched to Bedminster suite products
- Acrylic with fiberglass reinforcement
- Textured tub bottom pattern
- Bath rim trimmed with rope design pattern
- Integral arm rests and lumbar support
- Suitable for applications as pier, island, or peninsula-type installation
- Integral sump support feet
- Available in White only
- Made in USA

**60030** Bedminster Oval Bathing Pool Only

**Nominal Dimensions:**

72" x 42" x 22-1/2" (1829 x 1067 x 571mm)

**Compliance Certifications –  
Meets or Exceeds the Following Specifications:**

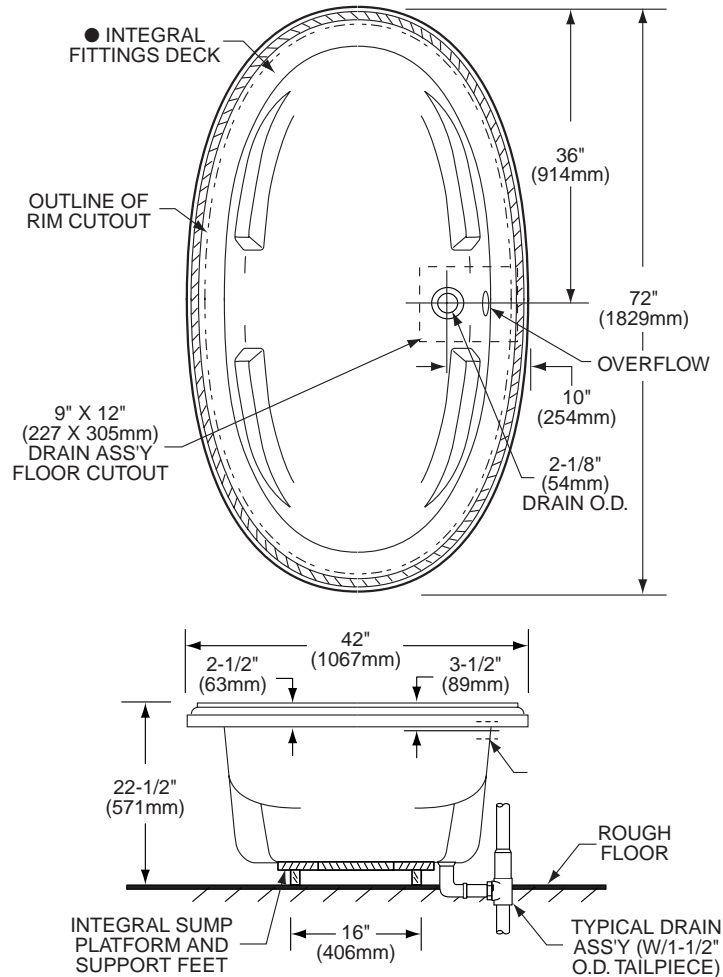
- ANSI Z124.1 for Plastic Bathtubs
- ASTM E162 for Flammability
- NFPA 258 for Smoke Density



**To Be Specified (Required):**

- Color
- Bath Filler: (specify finish)
- Rotary Drain (chrome): 85020; or
- Rotary Drain (polished brass): 85022; or
- Rotary Drain (brushed nickel): 85025; or
- Rotary Drain (polished nickel): 85028

ROUGH IN DIAGRAM AND  
PRODUCT SPECIFICATIONS  
SHOWN ON REVERSE SIDE



### GENERAL SPECIFICATIONS FOR 60030 BATHING POOL

INSTALLED SIZE	72" x 42" x 22-1/2" (1829 X 1067 X 571mm)
WEIGHT	69 Lbs. (31 Kg)
WEIGHT W/WATER	786 Lbs. (356 Kg)
GALLONS TO OVERFLOW	86 Gal. (326 L)
BATHING WELL AT SUMP	44" x 21" (1118 X 533mm)
BATHING WELL AT RIM	63" x 33" (1600 x 838mm)
WATER DEPTH TO OVERFLOW	17-3/4" (451 mm)
FLOOR LOADING (PROJ. AREA)	37.4 Lbs./Sq. Ft. (183 Kgs/Sq. m)
POINTS	47.6
CARTON VOLUME	63 Cu. Ft (1.78 Cu. m)
CARTON SHIPPING WEIGHT	131 Lbs. (59 Kg)

#### NOTES:

BATH CAN BE INSTALLED EITHER ABOVE OR BELOW FLOOR LINE AS PIER, ISLAND OR PENINSULA TYPE INSTALLATION. SUMP OF BATH IS SUPPORTED BY INTEGRAL FEET. NO ADDITIONAL SUPPORT REQUIRED. ENCLOSING MATERIALS BY OTHERS.

● IF INSTALLING A DECK-MOUNTED FITTING, BEFORE DRILLING ANY HOLES: CHECK FOR INTERFERENCE WITH DRAIN OVERFLOW. MOUNTING HOLES DRILLED BY INSTALLER.

■ REFER TO INSTALLATION INSTRUCTIONS SUPPLIED WITH WHIRLPOOL FOR ADDITIONAL INFORMATION. FITTINGS NOT INCLUDED AND MUST BE ORDERED SEPARATELY. PROVIDE SUITABLE REINFORCEMENT FOR ALL SUPPORTS.

IMPORTANT: Dimensions of fixtures are nominal and may vary within the range of tolerances established by ANSI Standard Z124.1. These measurements are subject to change or cancellation. No responsibility is assumed for use of superseded or voided leaflet.