

KYOMI ABOVE-COUNTER BASIN, MODEL 15061

- Contemporary basin design
- Fire clay china construction
- Available in White only
- Rear overflow with chrome trim ring part #85700
- Faucet ledge
- Center-hole (1-3/8" dia.) only
- Made in Italy

Nominal Overall Dimensions:

24-3/4" x 18-1/2" x 7-1/4" (629 x 470 x 184mm)

Bowl Inside Dimensions:

23" (584mm) wide

14" (356mm) front to back

5" (127mm) depth

Fixture Dimensions conform to ANSI Standard

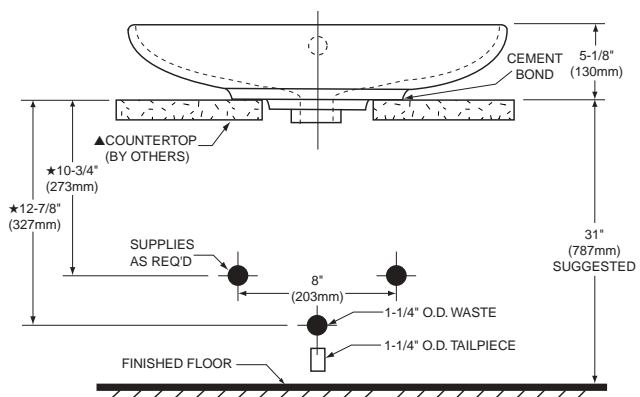
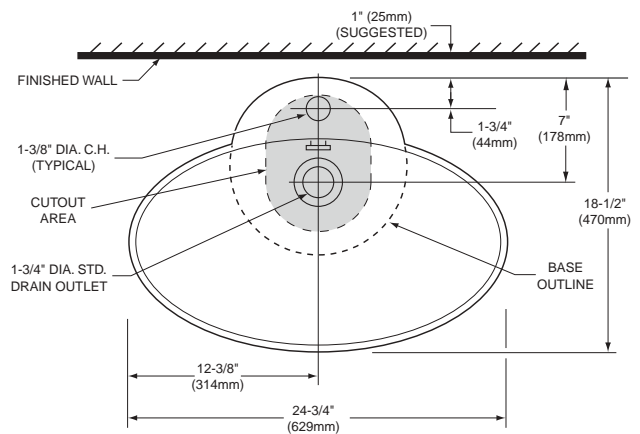
A112.19.9M



Shown with Iperbole faucet (5131.101.002)
Shown on Kyomi Console (Model #30170)

To Be Specified

- Faucet:
- Faucet Finish:
- Supplies:
- 1-1/4" Trap:
- Nipple:



NOTES:

★ DIMENSIONS SHOWN FOR LOCATION OF SUPPLIES AND "P" TRAP ARE SUGGESTED.

▲ FOR COUNTERTOP CUTOUT, REFER TO INSTALLATION INSTRUCTIONS SUPPLIED WITH LAVATORY. FITTINGS NOT INCLUDED AND MUST BE ORDERED SEPARATELY.

IMPORTANT: Dimensions of fixtures are nominal and may vary within the range of tolerances established by ANSI Standard A112.19.9M.

These measurements are subject to change or cancellation. No responsibility is assumed for use of superseded or voided pages.