

DRAPED COUNTERTOP LAVATORY, MODEL 1039X

- Traditional styling, design-matched to Draped suite products
- Vitreous china construction
- Limited color range
- With front overflow
- Cutout template included
- Faucet ledge
- Faucet holes (1-3/8" dia.) centers listed below:

- 10391**
Center hole only
- 10398**
Faucet holes on 8" (203mm) centers

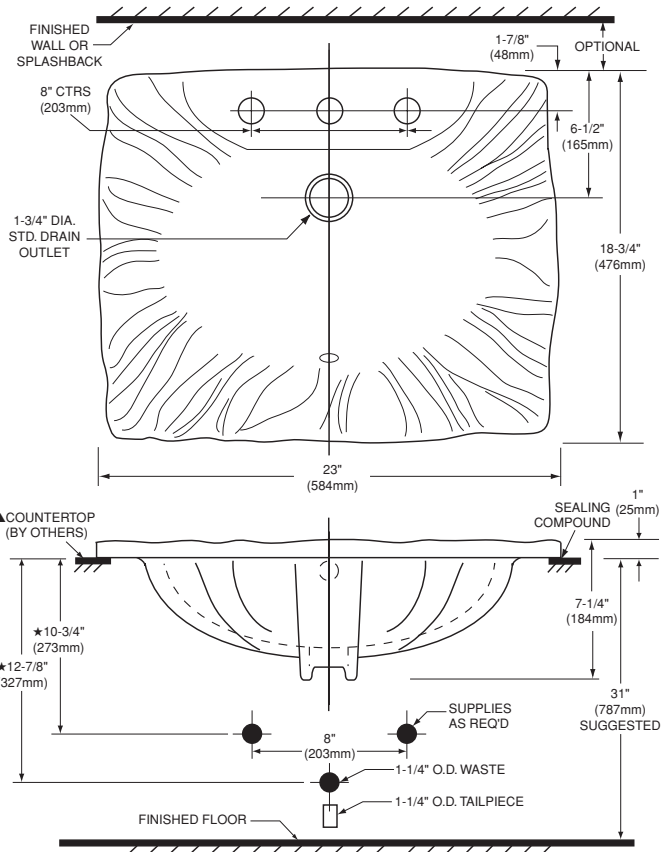
Nominal Overall Dimensions:

23" x 18-3/4" (584 x 476mm)

Bowl Inside Dimensions:

17" (432mm) wide
12-1/2" (318mm) front to back
6" (152mm) depth

Fixture Dimensions conform to ANSI Standard
A112.19.2M



To Be Specified

- Color:
- Faucet:
- Faucet Finish:
- Supplies:
- 1-1/4" Trap:
- Nipple:

NOTES:

- ★ DIMENSIONS SHOWN FOR LOCATION OF SUPPLIES AND "P" TRAP ARE SUGGESTED.
- ▲ FOR COUNTERTOP CUTOUT AND INSTALLATION INSTRUCTIONS, USE TEMPLATE SUPPLIED WITH LAVATORY. FITTINGS NOT INCLUDED AND MUST BE ORDERED SEPARATELY.

IMPORTANT: Dimensions of fixtures are nominal and may vary within the range of tolerances established by ANSI Standard A112.19.2M. These measurements are subject to change or cancellation. No responsibility is assumed for use of superseded or voided pages.