

LUTEZIA 24" PEDESTAL LAVATORY, KIT# 24528

- Traditional styling
- Vitreous china construction
- Available in white or biscuit only
- With rear overflow (not shown)
- Faucet ledge with integral soap recesses
- Made in Italy
- Faucet hole centers (1-3/8" dia.) listed below:

Kit Components:

- 04558** Lavatory slab with 1-3/8" dia. holes on 7-3/4" (197mm) centers (for spread lavatory faucet only)
- 05550** Pedestal base only

Nominal Overall Dimensions:

23-3/4" x 18-1/4" x 33-1/2" (603 x 464 x 851mm)
Pedestal back open 13" above floor

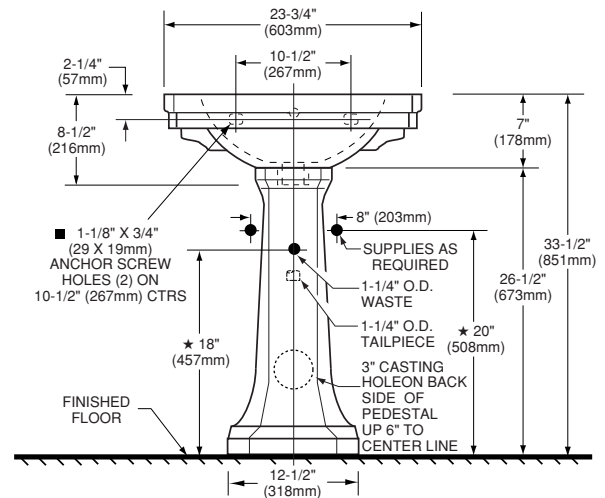
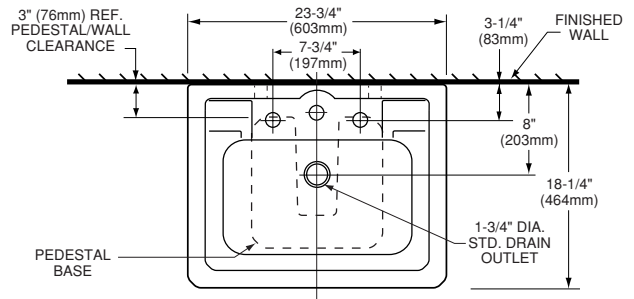
Bowl Inside Dimensions:

17" (432mm) wide
9-3/4" (248mm) front to back
6-1/2" (165mm) depth

Fixture Dimensions conform to ANSI Standard A112.19.2M



(27" Lutezia shown above)



To Be Specified

- Color:
- Faucet:
- Faucet Finish:
- Supplies:
- 1-1/4" Trap:
- Nipple:

NOTES:

- ★ DIMENSIONS SHOWN FOR LOCATION OF SUPPLIES AND "P" TRAP ARE SUGGESTED.
- FOR REINFORCEMENT ONLY. TAKE ACTUAL DIMENSIONS FROM FIXTURE. SLAB/PEDESTAL ANCHORS AND MOUNTING FEATURES TO BE FURNISHED BY OTHERS. PROVIDE SUITABLE REINFORCEMENT FOR ALL WALL SUPPORTS. FITTINGS NOT INCLUDED AND MUST BE ORDERED SEPARATELY. INSTALLATION INSTRUCTIONS SUPPLIED WITH LAVATORY.

IMPORTANT: Dimensions of fixtures are nominal and may vary within the range "P" tolerances established by ANSI Standard A112.19.2M. These measurements are subject to change or cancellation. No responsibility is assumed for use of superseded or voided pages.