

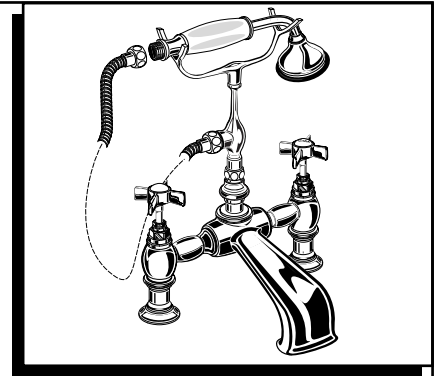
PORCHER®

Installation Instructions

REPRISE DECK MOUNT FILLER

5535.901

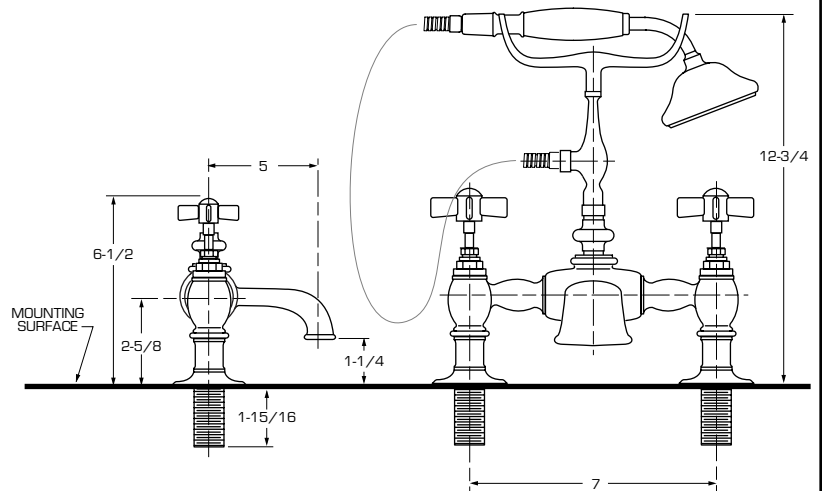
Thank you for selecting Porcher Products.
To ensure that your installation proceeds smoothly—please
read these instructions carefully before you begin.



Certified to comply with ANSI A112.18.1M

M968749Den

ROUGHING-IN DIMENSIONS DECK MOUNT FILLER



HOTLINE FOR HELP

For toll-free information and answers to your questions, call:

1 (800) 359-3261

Weekdays 8:00 to 7:00 p.m. EST

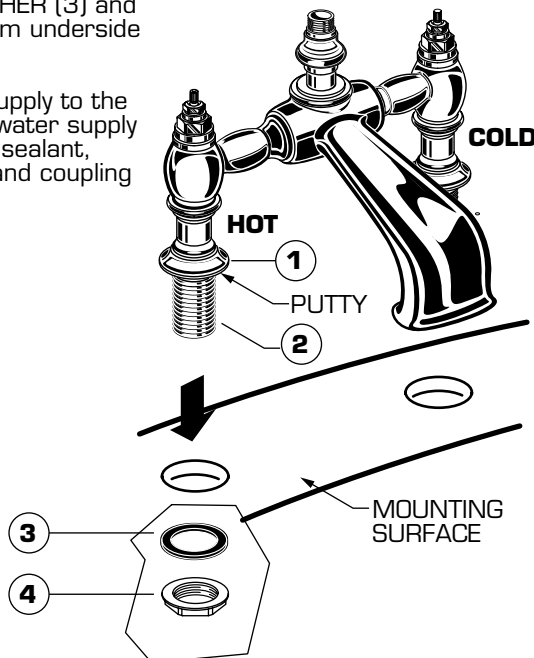
IN CANADA 480-961-5353

Product names listed herein are trademarks of Porcher, Ltd.
©Porcher, Ltd. 2001

1 SPOUT ASSEMBLY

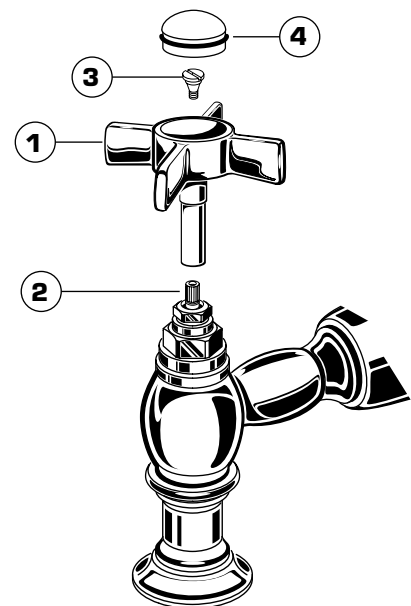
CAUTION Turn off hot and cold water
supplies before beginning

- Apply a bead of putty along the edge of the ESCUTCHEONS (1)
- Insert FAUCET SHANKS (2) through the holes of bath tub ledge. Place FAUCET as far forward as possible.
- Assemble RUBBER WASHER (3) and MOUNTING NUTS (4) from underside of sink.
- Connect the Hot water supply to the Left Shank and the Cold water supply to the Right Shank using sealant, appropriate connectors and coupling nuts.



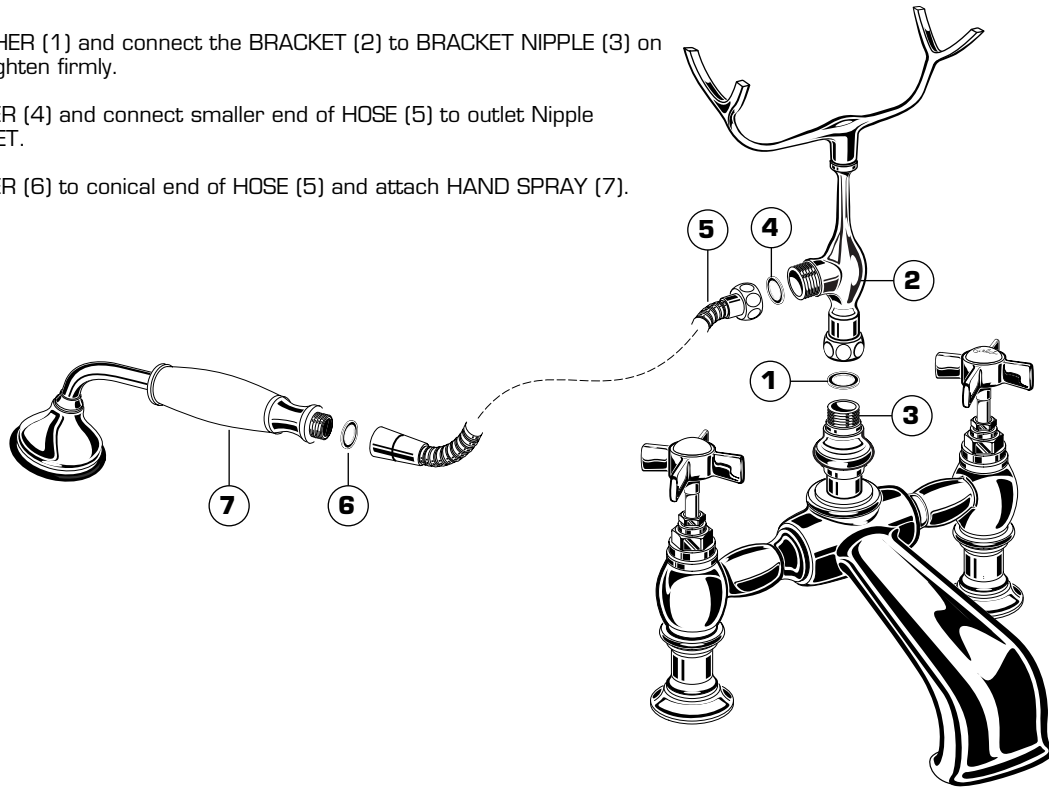
2 INSTALL HANDLES

- Turn VALVE to OFF position.
- Push CROSS HANDLE (1) onto VALVE STEM (2). Check alignment, if not satisfactory align.
- Insert HANDLE SCREW (3) and tighten.
- Press in INDEX BUTTON (4).



3 FITTING BRACKET

- Insert SEAL WASHER (1) and connect the BRACKET (2) to BRACKET NIPPLE (3) on top of FAUCET. Tighten firmly.
- Add SEAL WASHER (4) and connect smaller end of HOSE (5) to outlet Nipple on side of BRACKET.
- Add SEAL WASHER (6) to conical end of HOSE (5) and attach HAND SPRAY (7).



4 TEST INSTALLED FAUCET

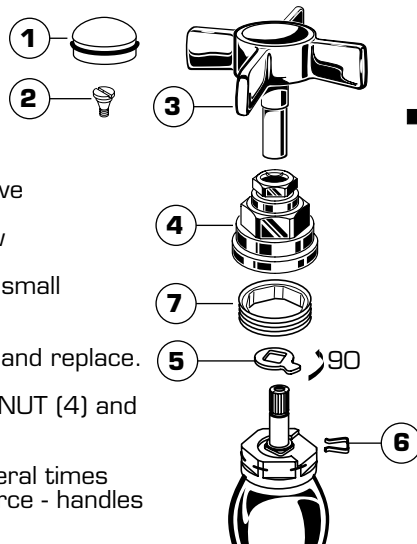
CAUTION

The flow rate of this Tub Filler exceeds 20 gallons/minute at higher water pressure. Do not fill bathtub unattended.

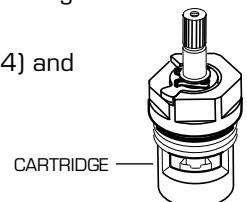
- Turn VALVES to "off" position.
- With handles in "off" position, turn on water supplies and check all connections for leaks.
- Operate both handles and flush water lines thoroughly.
- Lift HAND SHOWER from HOLDER, direct spray into tub, lift DIVERTER KNOB to check HAND SHOWER and HOSES for leaks.
- Turn handles "off."

5 SERVICE

- To change direction of handle rotation, proceed as follows:
 - Turn valve to OFF position.
 - Pull out INDEX CAP (1) and remove HANDLE SCREW (2).
 - Pull off HANDLE (3) and unscrew BONNET NUT (4).
 - Pry off bonnet ADAPTER (7) with small flat screwdriver.
 - Remove SPRING CLIP (6).
 - Lift STOP WASHER (5), turn 90° and replace.
 - Replace SPRING CLIP (6).
 - Reinstall ADAPTER (7), BONNET NUT (4) and HANDLE ASSEMBLY (3, 2, 1).
- If spout drips, operate handles several times from OFF to ON position. Do not force - handles turn only 90°.



- CARTRIDGE may accumulate dirt causing reduced water flow. To clean, first turn off hot and cold water supplies, then:
 - Remove HANDLE.
 - Unscrew CARTRIDGE with wrench.
 - Thoroughly rinse CARTRIDGE.
 - Replace CARTRIDGE until flange is tight against valve body.
 - Turn valves OFF.
 - Reinstall BONNET NUT (4) and HANDLE ASSEMBLY.



6 CARE INSTRUCTIONS:

DO: SIMPLY RINSE THE PRODUCT CLEAN WITH CLEAR WATER. DRY WITH A SOFT COTTON FLANNEL CLOTH.

DO NOT: CLEAN THE PRODUCT WITH SOAPS, ACID, POLISH, ABRASIVES, HARSH CLEANERS, OR A CLOTH WITH A COARSE SURFACE.

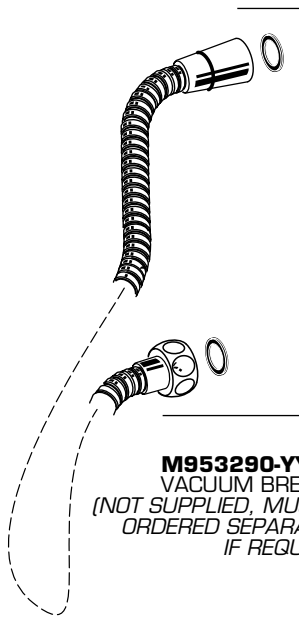
PORCHER®

REPRISE DECK MOUNT TUB FILLER

5535.901

084351-0070A
CHECK VALVE
AND FLOW RESTRICTOR

M950049-YYY0A
HAND SPRAY



M923020-YYY0A
HOSE AND SEALS

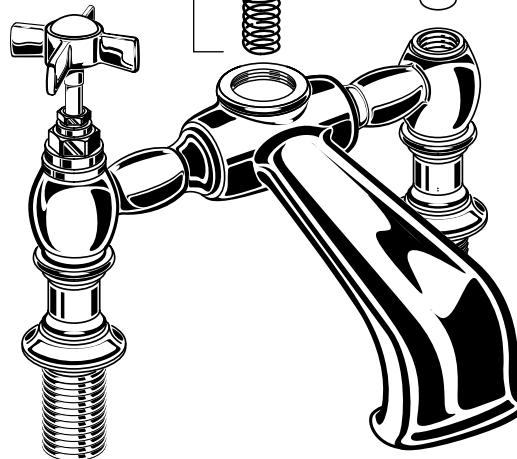
M953290-YYY0A
VACUUM BREAKER
(NOT SUPPLIED, MUST BE
ORDERED SEPARATELY
IF REQUIRED)

A911737-0070A
SEAL WASHER

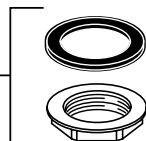
A952849-0070A
CHECK VALVE

M962110-YYY0A
DIVERTER KIT

M961211-0070A
DIVERTER SEAL KIT



M961666-0070A
VALVE MOUNTING KIT



M961712-YYY0A
HANDLE BASE with
SPRING CLIP
(Before 6/03)



M961649-0070A
INDEX BUTTON COLD
M961650-0070A
INDEX BUTTON HOT



A918555-0070A
HANDLE SCREW



M908578-YYY0A
CROSS HANDLE



M962264-YYY0A
ADAPTER KIT
(After 6/03)



994053-0070A
VALVE

Replace the "YYY" with
appropriate finish code

CHROME	002
POLISHED NICKEL	008
POLISHED BRASS	099
BRUSHED NICKEL	295