

PORCHER®

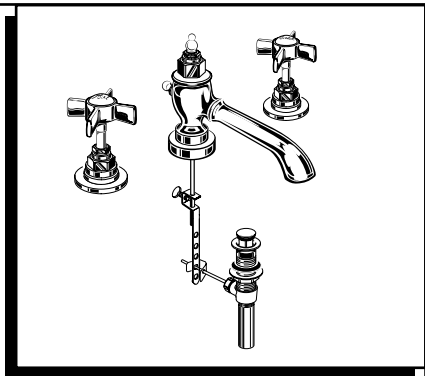
Installation Instructions

5535.801

REPRISE SPREAD LAVATORY FAUCETS

Thank you for selecting Porcher Products.

To ensure that your installation proceeds smoothly—please read these instructions carefully before you begin.



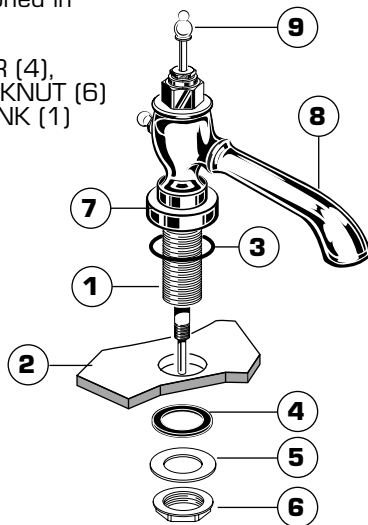
Certified to comply with ANSI A112.18.1M

M968745Den

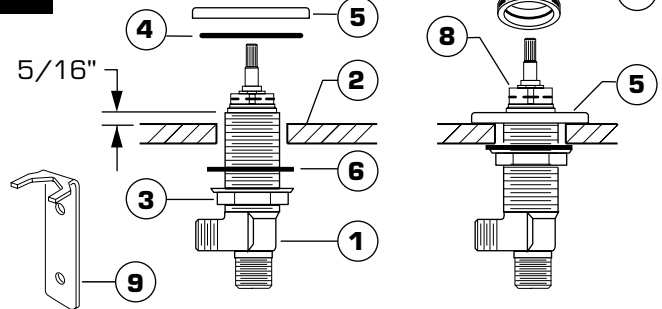
1 SPOUT ASSEMBLY **CAUTION**

Turn off hot and cold water supplies before beginning

- Insert SPOUT SHANK (1) through center hole of SINK (2), making sure O-RING (3) is properly positioned in ESCUTCHEON (7).
- Assemble RUBBER WASHER (4), FIBER WASHER (5) and LOCKNUT (6) onto threads of SPOUT SHANK (1) from underside of SINK (2).
- Insert LIFT ROD (7) through SPOUT (8).
- Align SPOUT (8) and tighten LOCKNUT (6).



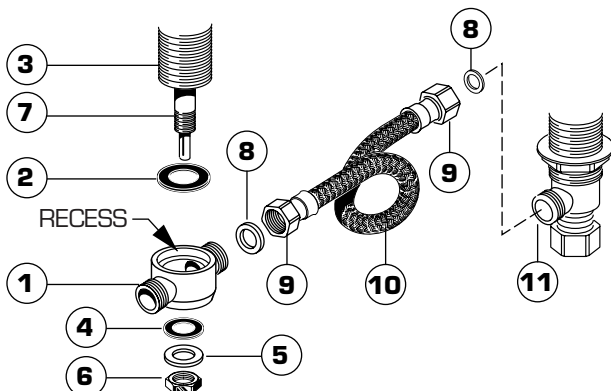
2 VALVE INSTALLATION



- Insert VALVE BODY (1) through hole from underside of SINK (2). Threads of VALVE BODY (1) should extend at least 5/16 inch above SINK (2) top. If necessary, adjust LOCKNUT (3). Make sure RUBBER WASHER (6) is installed.
- Place RUBBER O-RING (4) into ESCUTCHEON (5) and screw ESCUTCHEON (5) onto VALVE BODY (1) until snug against internal stop. Thread BONNET NUT (7) onto CARTRIDGE (8).
- Set VALVE BODIES so that their outlets are facing toward the center of the sink and then tighten LOCKNUT (3) using WRENCH (9) supplied with faucet.

3 TEE AND HOSE INSTALLATION

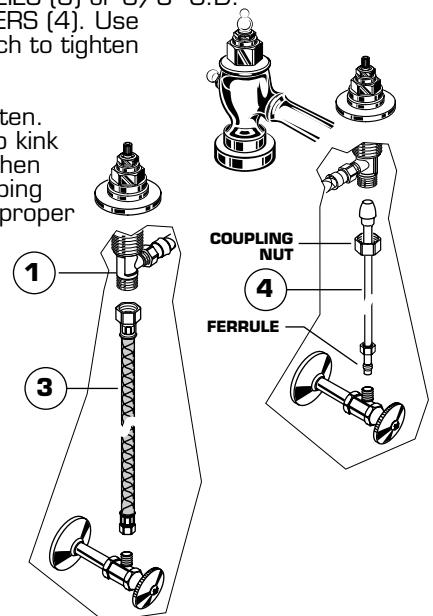
- Before assembling TEE (1) make certain that the FLAT RUBBER WASHER (2) is inserted into the TEE CONNECTOR (1) recess.
- Push TEE CONNECTOR (1) onto bottom of SPOUT SHANK (3).
- Install SMALL RUBBER WASHER (4), THICK BRASS WASHER (5) and TEE MOUNTING NUT (6) onto BRASS TUBE (7). Align TEE CONNECTOR (1) and tighten TEE MOUNTING NUT (6).
- Place WASHERS (8) inside COUPLING NUTS (9) of HOSE (10) and connect HOSE (10) to TEE CONNECTOR (1) and VALVE OUTLETS (11). Tighten COUPLING NUTS (9).



4 MAKE WATER SUPPLY CONNECTIONS

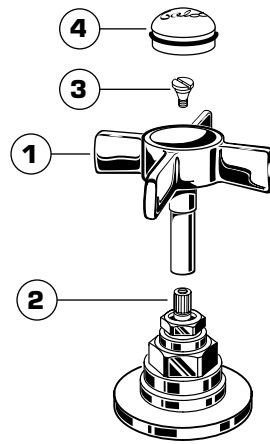
NOTE: FLEXIBLE SUPPLIES OR BULL-NOSE RISERS MUST BE PURCHASED SEPARATELY.

- Connect water supply to FAUCET (1) with 1/2" IPS FLEXIBLE SUPPLIES (3) or 3/8" O.D. BULL-NOSE RISERS (4). Use adjustable wrench to tighten connections.
- Do not over tighten. Be careful not to kink copper supply when bending. Use tubing cutter to cut to proper length.



5 INSTALL HANDLES

- Turn VALVE to OFF position.
- Push CROSS HANDLE (1) onto VALVE STEM (2). Check alignment, if not satisfactory align.
- Insert HANDLE SCREW (3) and tighten.
- Press in INDEX BUTTON (4).



6 INSTALL POP-UP DRAIN

- Push Tail piece (11) down into Trap (C) (threaded end up).
- Thread Locknut (5), Washer (4) and Gasket (3) (Bevel side up) onto Drain Body (10).
- Apply a bead of Putty (D) to underside of Flange (2) or (2A).
- Feed Drain Body (10) up through Sink (A) and thread the Flange (2) or (2A) fully onto Drain Body (10).
- Tighten Locknut (5) firmly, keeping the pivot rod hole pointed towards the back of the sink.
- Assemble Pivot Rod (9) or (9A) as shown in Figure-4B. Notice the position of the Concave Washer (G).
- Insert Pivot Rod (9) or (9A) into Drain Body (10) and tighten Pivot Nut (F).
- Push TAILPIECE INSERT (12) into TAILPIECE (11) and push TAILPIECE up and thread tightly into DRAIN BODY (10).
- Position Extension Rod (7) onto Pop-Up Rod (E) and tighten Thumbscrew (6).
- Remove one end of Clip (8) from Pivot Rod (9) or (9A) by squeezing ends together while sliding.
- Insert Pivot Rod (9) or (9A) into second or third hole in Extension Rod (7) and reassemble Clip (8).
- Drop Stopper (1) into Drain Body (10).
- Adjust stopper height by repositioning Extension Rod (7) and tightening Thumbscrew (6).

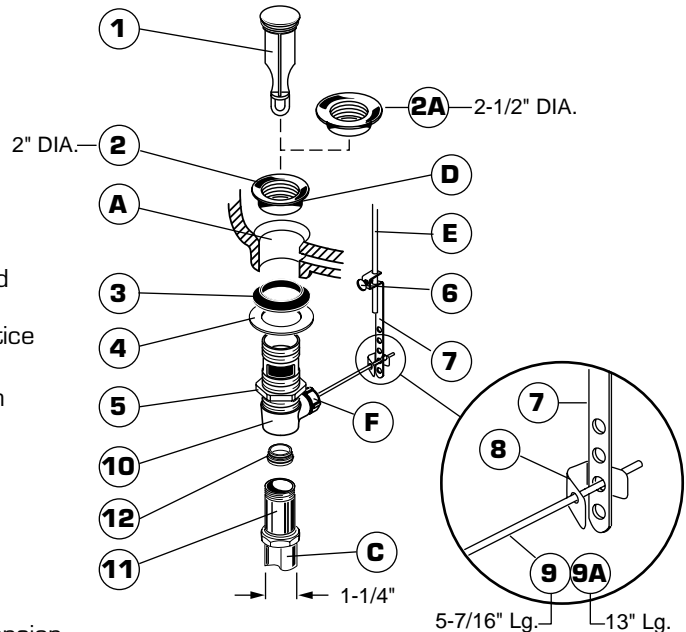
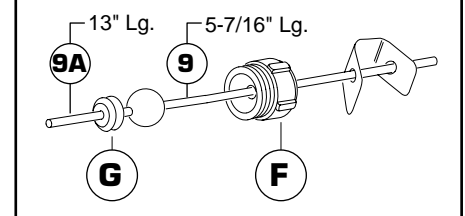


FIGURE-4B:

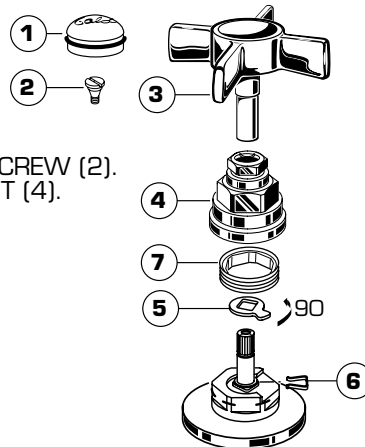


7 TEST INSTALLED FAUCET

- With handles in OFF position, turn on water supplies and check all connections for leaks.
- Operate both handles to flush water lines thoroughly. Operate LIFT ROD and check DRAIN for leaks.

8 SERVICE

- To change direction of handle rotation, proceed as follows:
 - Turn valve to OFF position.
 - Pull out INDEX CAP (1) and remove HANDLE SCREW (2).
 - Pull off HANDLE (3) and unscrew BONNET NUT (4).
 - Pry off bonnet ADAPTER (7) with small flat screwdriver.
 - Remove SPRING CLIP (6).
 - Lift STOP WASHER (5), turn 90° and replace.
 - Replace SPRING CLIP (6).
 - Reinstall ADAPTER (7), BONNET NUT (4) and HANDLE ASSEMBLY (3, 2, 1).
- If spout drips, operate handles several times from OFF to ON position. Do not force - handles turn only 90°.



CARE INSTRUCTIONS:

DO: SIMPLY RINSE THE PRODUCT CLEAN WITH CLEAR WATER. DRY WITH A SOFT COTTON FLANNEL CLOTH.

DO NOT: CLEAN THE PRODUCT WITH SOAPS, ACID, POLISH, ABRASIVES, HARSH CLEANERS, OR A CLOTH WITH A COARSE SURFACE.

PORCHER®

REPRISE SPREAD LAVATORY FAUCETS

5535.801

M961712-YYY0A
HANDLE BASE with
SPRING CLIP
(Before 6/03)



M961654-YYY0A
POP-UP ROD

M961650-0070A
INDEX BUTTON HOT



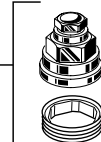
M961649-0070A
INDEX BUTTON COLD

M908578-YYY0A
CROSS HANDLE

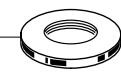


A918555-0070A
HANDLE SCREW

M962264-YYY0A
ADAPTER KIT
(After 6/03)



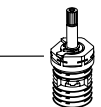
M907717-YYY0A
ESCUTCHEON



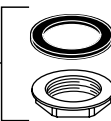
A911836-0070A
SEAL



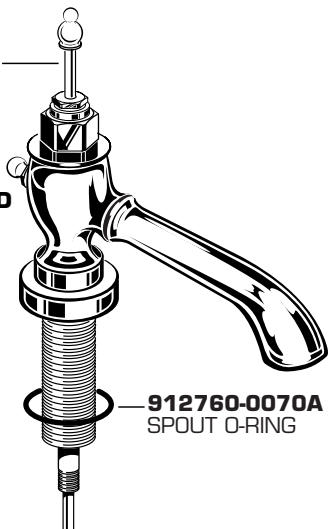
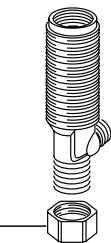
994053-0070A
VALVE



M961634-0070A
VALVE MOUNTING KIT

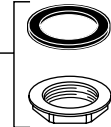


024220-0070A
SUPPLY NUT

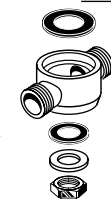


912760-0070A
SPOUT O-RING

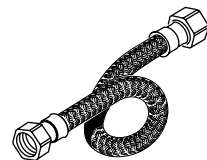
M961651-0070A
SPOUT
MOUNTING KIT



M961652-0070A
TEE SEAL KIT



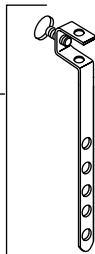
M961653-0070A
TUBE & SEAL KIT



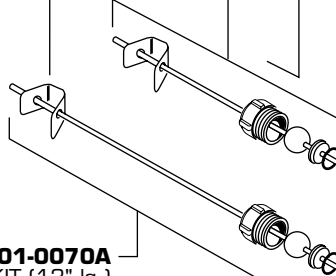
M953460-YYY0A
COMPLETE
DRAIN ASSEMBLY



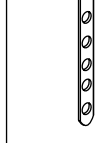
066118-0070A
PIVOT ROD KIT (5-7/16" lg.)



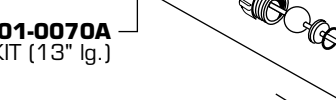
070847-0070A
CLIP



072574-0070A
EXTENSION ROD



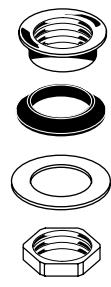
M962101-0070A
PIVOT ROD KIT (13" lg.)



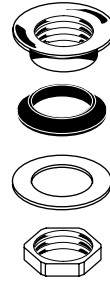
066116-YYY0A
DRAIN STOPPER



066117-YYY0A
2" FLANGE KIT



M962100-YYY0A
2-1/2" FLANGE KIT



900864-0070A
DRAIN BODY



M961711-0070A
TAILPIECE INSERT



070532-0040A
TAILPIECE



Replace the "YYY" with
appropriate finish code

CHROME	002
POLISHED NICKEL	008
POLISHED BRASS	099
BRUSHED NICKEL	295



HOTLINE FOR HELP

For toll-free information and answers to your questions, call:

1 (800) 359-3261

Weekdays 8:00 to 7:00 p.m. EST

IN CANADA 480-961-5353

Product names listed herein are trademarks of Porcher, Ltd.
©Porcher, Ltd. 2003

M968745Den