

# PORCHER®

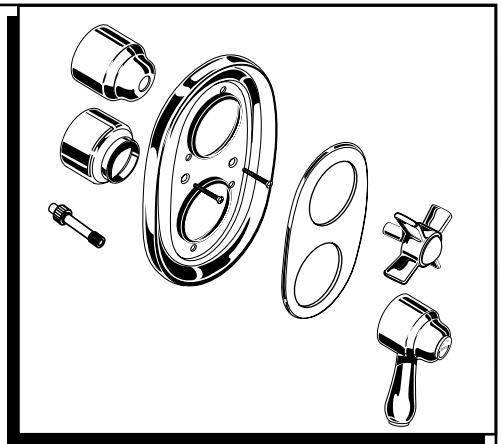
## Installation Instructions

### REPRISE

3/4" THERMOSTAT TRIM KIT  
with SEPARATE VOLUME CONTROL

5535.540

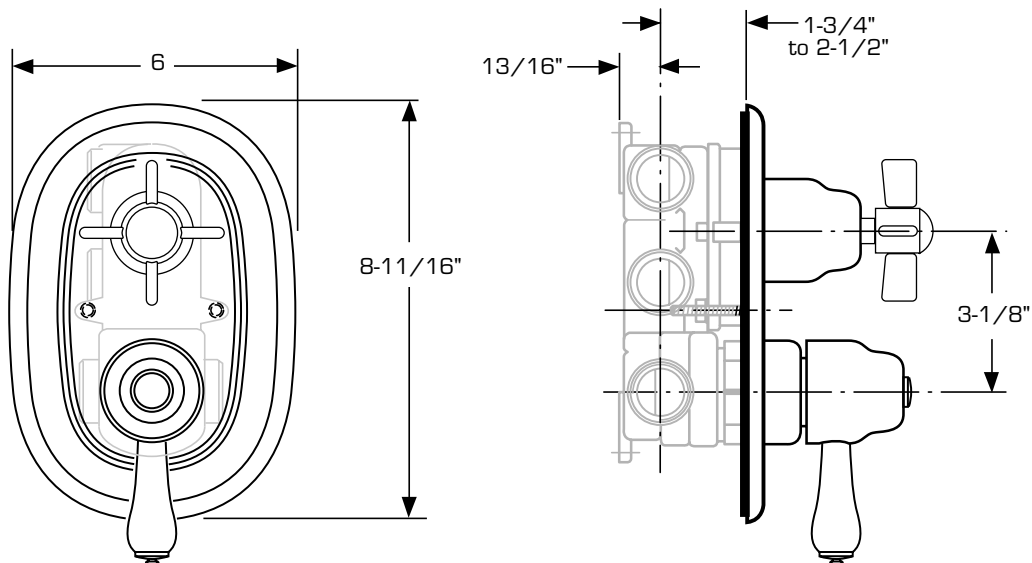
T535.540



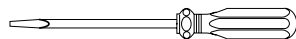
Certified to comply with ANSI A112.18.1M  
ASSE 1016

M968442A

### ROUGHING-IN DIMENSIONS



### Recommended Tools



Flat Blade Screwdriver



Phillips Screwdriver

### CARE INSTRUCTIONS:

- To keep your new faucet looking new, please follow these simple care instructions:
  - DO:** ■ Simply rinse the faucet clean with clear water.
    - Dry the faucet with a soft cotton cloth.
  - DO NOT:**
    - Do not use any abrasive cleaners, cloths, or paper towels.
    - Do not use any cleaning agents containing acids, polish abrasives, or harsh cleaners or soaps.
- Regular and routine cleaning will reduce the need for heavy cleaning and polishing. If heavy cleaning is required, the following procedures are recommended:

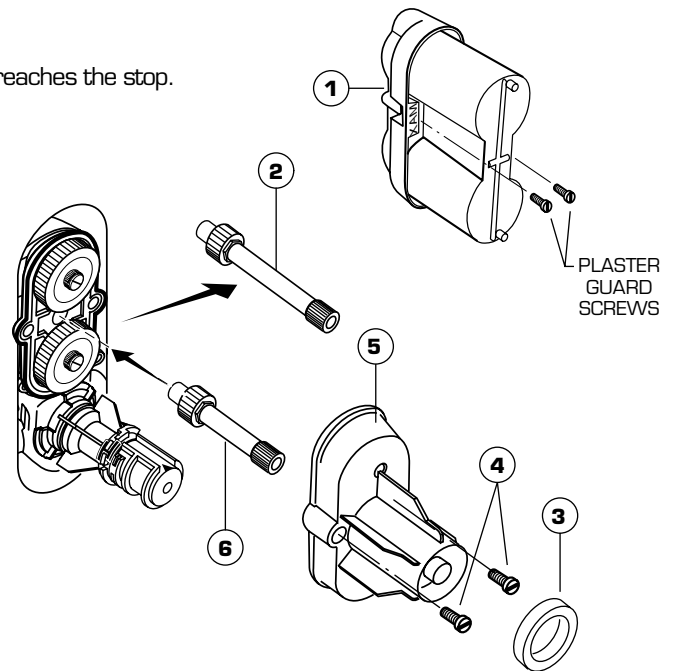
- Remove as much surface dirt and film using clear water and soft cotton cloth (as described above).
  - Use any of the following to remove tough surface film and build-up:
    - Mild liquid detergents
    - Clear ammonia free liquid glass cleaners
    - Non-acidic, non-abrasive gentle liquid or fully dissolved powder cleansers mixed according to manufacturers directions.
    - Non-abrasive liquid polishers
- Once clean, rinse faucet again with clear water to thoroughly remove cleaner or polish and blot dry with a soft cotton cloth.

**Failure to follow these care instructions may damage the Faucet's finish.**

# 1 SHORT CLUTCH DRIVE SHAFT INSTALLATION

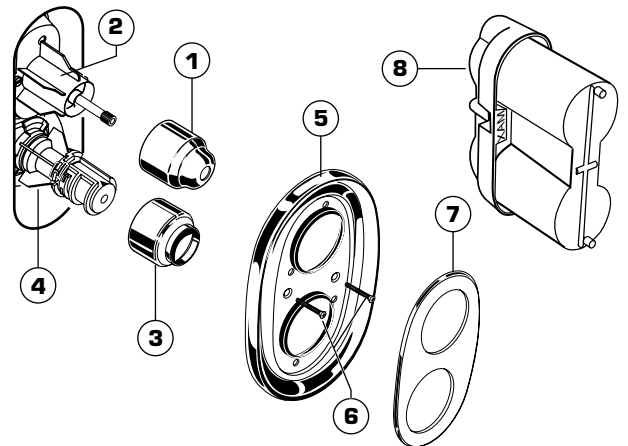
*For paper trim installation a shorter clutch drive must be installed.*

- Remove PLASTER GUARD (1).
- Turn CLUTCH DRIVE SHAFT (2) on volume control clockwise until it reaches the stop.
- Remove RUBBER WASHER (3).
- Remove CLUTCH COVER SCREWS (4) and CLUTCH COVER (5).
- Pull out long CLUTCH DRIVE SHAFT (2).
- Install SHORT CLUTCH DRIVE SHAFT (6).
- Replace CLUTCH COVER (5) with SCREWS (4), and RUBBER WASHER (3).
- Turn SHORT CLUTCH DRIVE SHAFT (6) 180 degrees to synchronize the HOT and COLD CARTRIDGES.



# 2 TRIM INSTALLATION

- When wall is finished, remove PLASTER GUARD (8).
- Push CAP (1) onto VOLUME CONTROL VALVE (2) until fully seated.
- Push CAP (3) onto TEMPERATURE CONTROL VALVE (4) until fully seated.
- Push ESCUTCHEON (5) onto CAPS (1,3) and attach with SCREWS (6) to valve body.
- Align FRONT DECORATIVE PLATE (7) with ESCUTCHEON (5). Push FRONT DECORATIVE PLATE (7) over CAPS (1&3) and snap into holes in ESCUTCHEON (5) to secure.



# 3 INSTALL HANDLES

- Align CROSS HANDLE (2) and push onto VOLUME CONTROL SPLINE (1). Install HANDLE SCREW (3) in CROSS HANDLE (2) and tighten with flat blade screwdriver. Insert index button (4).
- Align the two splines in LEVER HANDLE (5) with the knob mount arrow (Figure 1) and push LEVER HANDLE (5) onto KNOB MOUNT (6). Install HANDLE SCREW (7) in LEVER HANDLE (5) and tighten with phillips screwdriver. Insert index button (9).

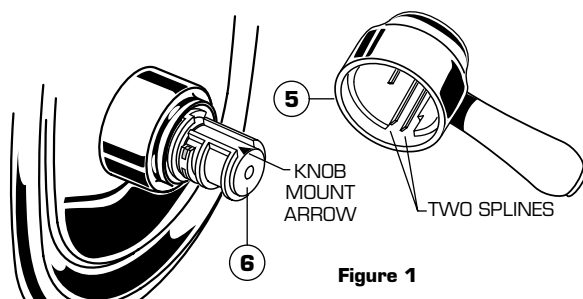
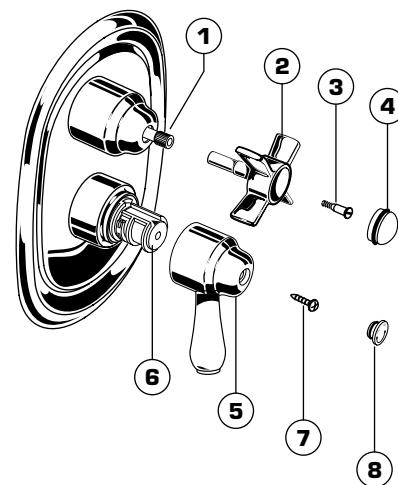


Figure 1



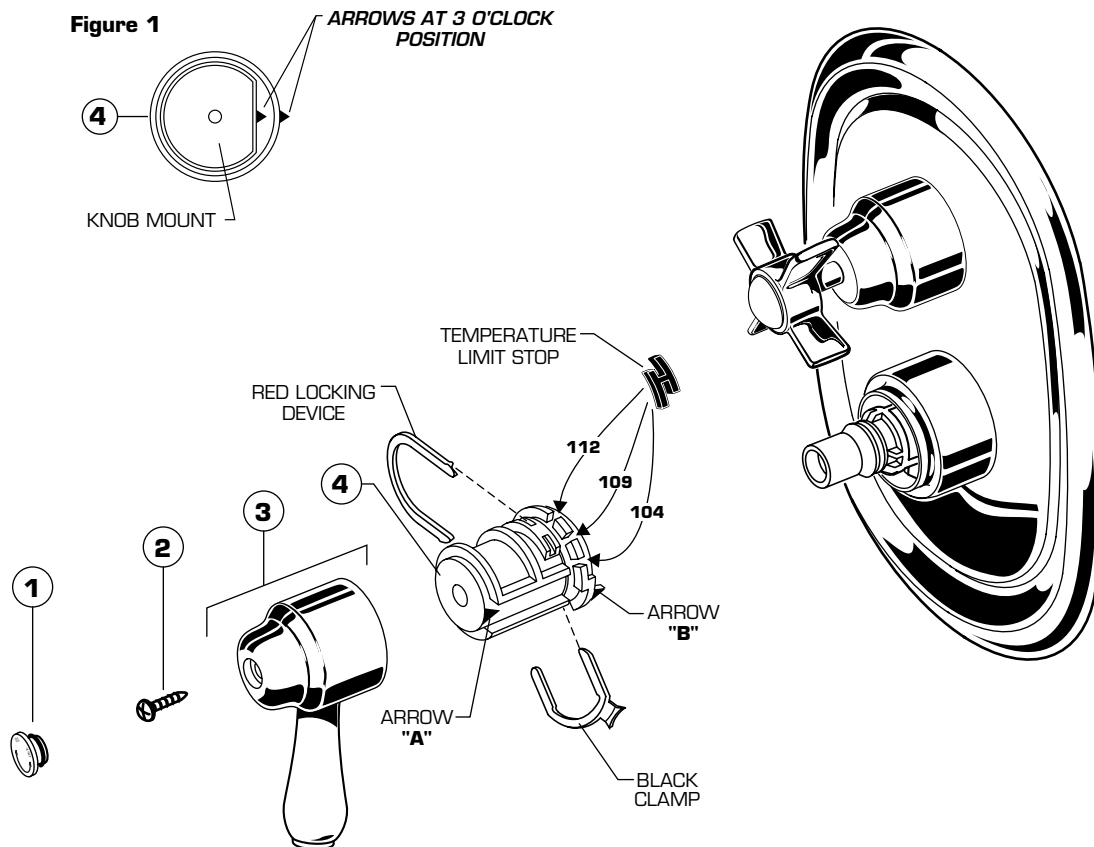
## 4 TEMPERATURE ADJUSTMENT

- Pull out INDEX BUTTON (1) and remove LEVER HANDLE SCREW (2). Pull off LEVER HANDLE ASSEMBLY (3).
- Check that arrow marking B points to the 3 o'clock position. If not, push the BLACK CLAMP on the SECURING RING to the right, pull off KNOB MOUNT (4) and reinstall KNOB MOUNT (4) with arrow "B" 3 o'clock position. See Figure 1.

### SET HOT LIMIT STOP

- The maximum mixed water temperature is set at 109 F at the factory. This setting can be changed if desired.
- Remove the TEMPERATURE LIMIT STOP (H shaped Black Plastic part). Reinstall it at the desired notch as indicated in the diagram to limit the maximum mixed water temperature to 104 F or 112 F.
- For 100 F adjustment, turn the water supply on. Turn KNOB MOUNT (4) until the spout temperature is 100 F. Check that arrow "A" on the KNOB MOUNT (4) still points 3 o'clock position after adjusting the thermostat to 100 F. If not, pull out the RED LOCKING DEVICE. Remove KNOB MOUNT (4) by pulling it towards you while standing directly in front of the valve.
- Reinstall the KNOB MOUNT (4) with arrow "A" 3 o'clock position.
- Reinstall RED LOCKING DEVICE.
- See step 3 for LEVER HANDLE (3) installation.

Figure 1

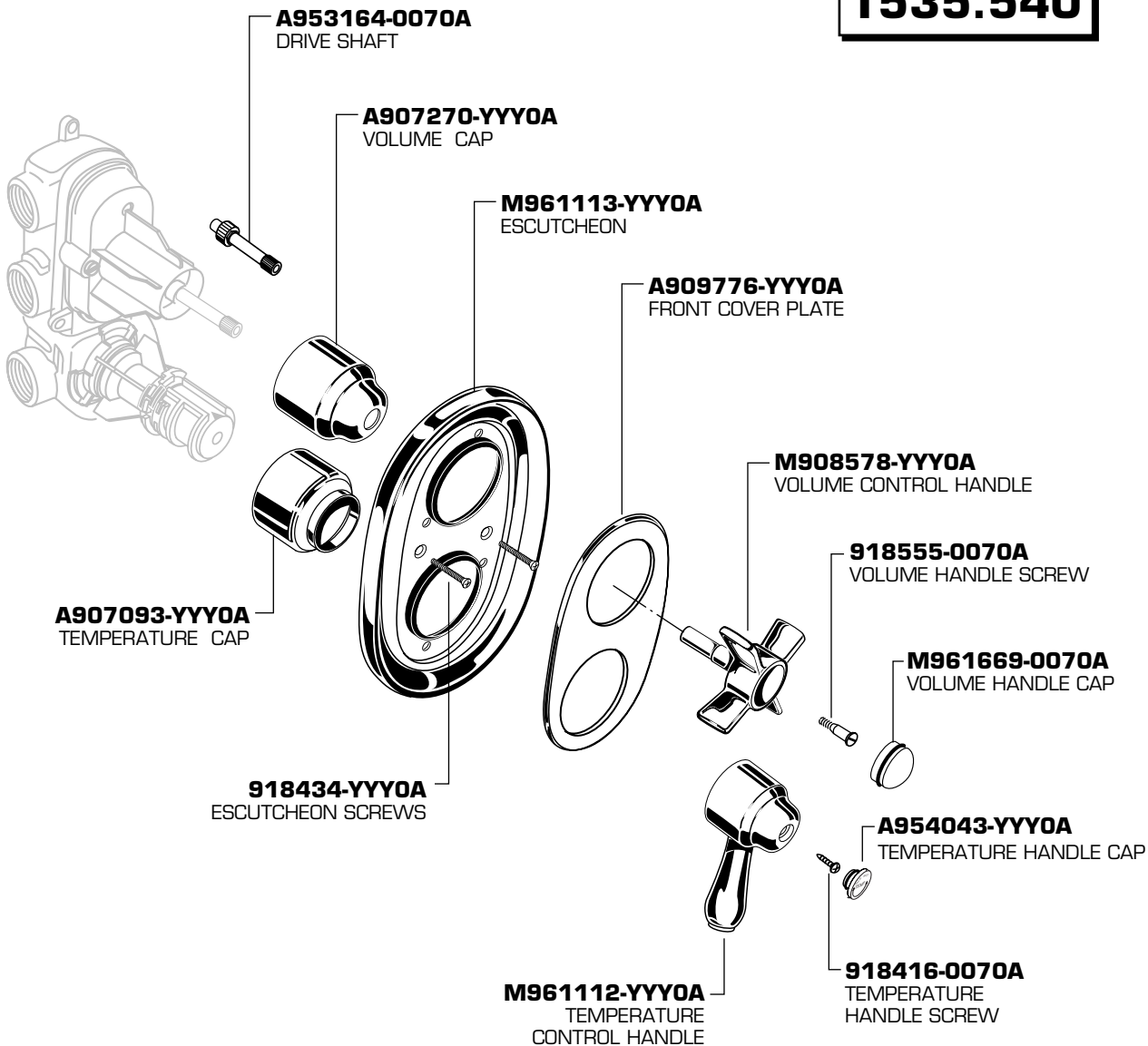


# PORCHER®

## REPRISE 3/4" THERMOSTAT TRIM KIT with SEPARATE VOLUME CONTROL

MODEL NUMBER

**5535.540**  
**T535.540**



Replace the "YYY" with appropriate finish code

CHROME	002
POLISHED NICKEL	008
POLISHED BRASS	099
BRUSHED NICKEL	295



**HOTLINE FOR HELP**

For toll-free information and answers to your questions, call:

1 (800) 359-3261

Weekdays 8:00 to 7:00 p.m. EST

IN CANADA 480-961-5353

Product names listed herein are trademarks of Porcher, Ltd.  
©Porcher, Ltd. 2003

M968442A