

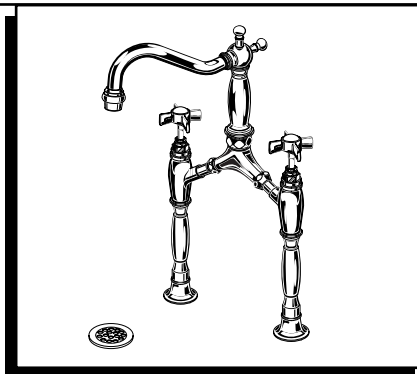
# PORCHER®

## Installation Instructions

### REPRISE BRIDGE VESSEL FAUCET

5535.504

Thank you for selecting Porcher Products.  
To ensure that your installation proceeds smoothly—please read these instructions carefully before you begin.



Certified to comply with ANSI A112.18.1M

M968752Den

### CARE INSTRUCTIONS:

**DO: SIMPLY RINSE THE PRODUCT CLEAN WITH CLEAR WATER. DRY WITH A SOFT COTTON FLANNEL CLOTH.**

**DO NOT: CLEAN THE PRODUCT WITH SOAPS, ACID, POLISH, ABRASIVES, HARSH CLEANERS, OR A CLOTH WITH A COARSE SURFACE.**



#### HOTLINE FOR HELP

For toll-free information and answers to your questions, call:

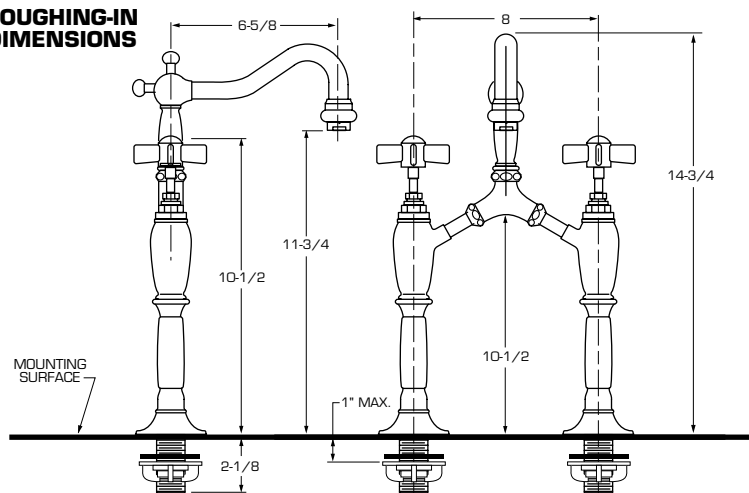
1 (800) 359-3261

Weekdays 8:00 to 7:00 p.m. EST

IN CANADA 480-961-5353

Product names listed herein are trademarks of Porcher, Ltd.  
©Porcher, Ltd. 2003

### ROUGHING-IN DIMENSIONS

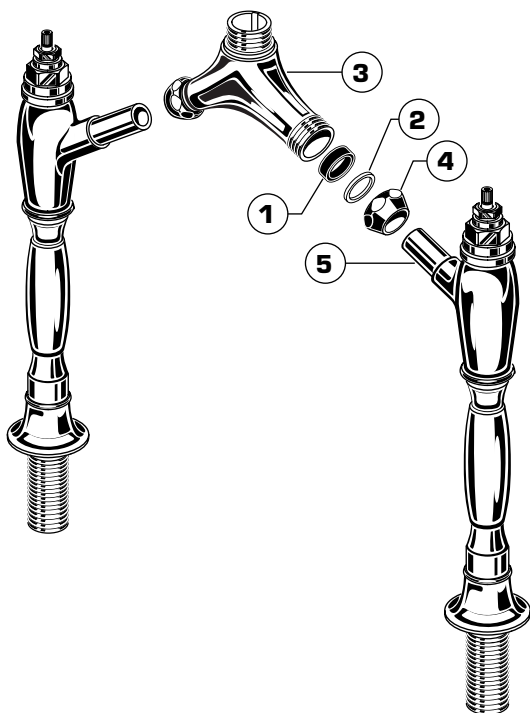


## 1 ASSEMBLE VALVE BODIES TO YOKE

### CAUTION

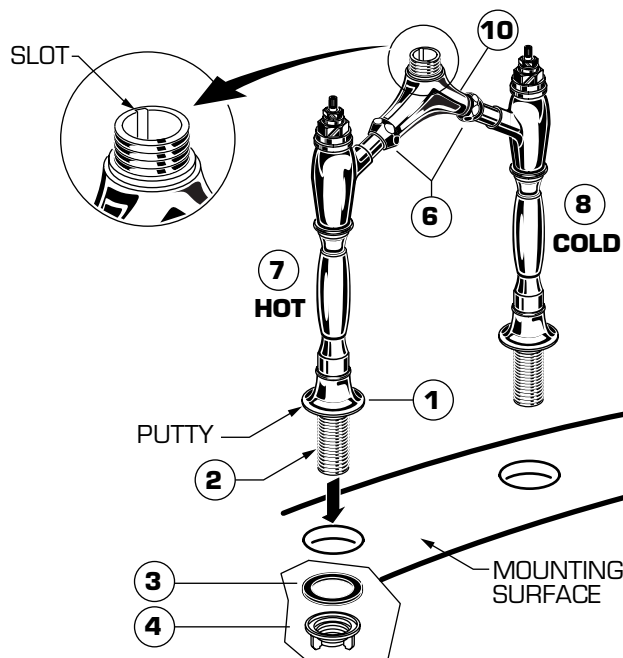
Turn off hot and cold water supplies before beginning

- Insert RUBBER RING SEALS (1) and FRICTION WASHER (2) into ends of YOKE (3). Assemble COUPLING NUTS (4) to YOKE (3).
- Insert VALVE BODY SUPPLY TUBES (5) into COUPLING NUTS (4) of YOKE (3) and hand tighten.



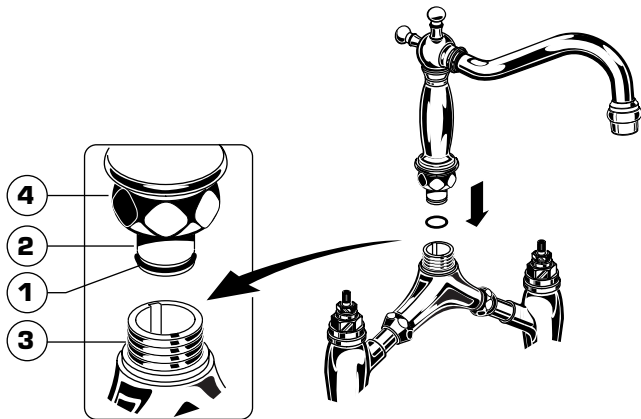
## 2 INSTALL FITTING

- Apply a bead of putty along the edge of the ESCUTCHEONS (1).
- Insert FAUCET SHANKS (2) through the holes of mounting ledge. **Note: Slot in spout nipple must face back of fitting.**
- Assemble RUBBER WASHERS (3) and MOUNTING NUTS (4) from underside of sink. Align hot and cold VALVE BODIES (7, 8) with YOKE (10). Secure fitting, tighten MOUNTING NUTS (4) from under mounting ledge. Tighten YOKE COUPLING NUTS (6) to make a water tight connection. **Be careful not to scratch the finish on fitting.**



### 3 INSTALL SPOUT

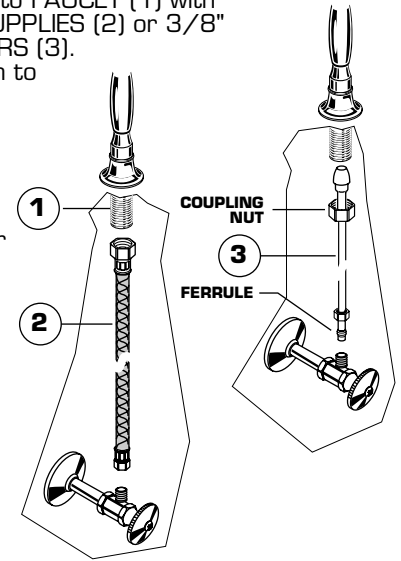
- Assemble SPOUT O-RING (1) onto SPOUT SHANK (2).
- Push SPOUT SHANK (2) into SPOUT NIPPLE (3) and tighten SPOUT COUPLING NUT (4) to secure spout.



### 4 MAKE WATER SUPPLY CONNECTIONS

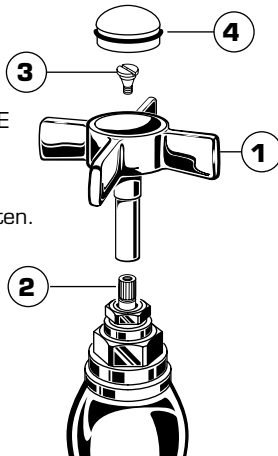
**NOTE: FLEXIBLE SUPPLIES OR BULL-NOSE RISERS MUST BE PURCHASED SEPARATELY.**

- Connect water supply to FAUCET (1) with 1/2" IPS FLEXIBLE SUPPLIES (2) or 3/8" O.D. BULL-NOSE RISERS (3). Use adjustable wrench to tighten connections.
- Do not over tighten. Be careful not to kink copper supply when bending. Use tubing cutter to cut to proper length.



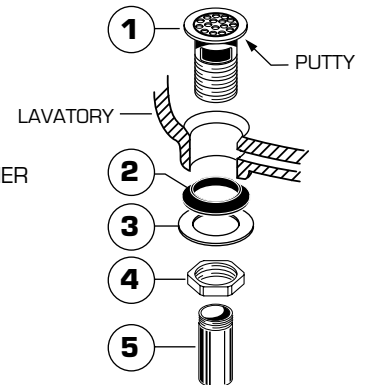
### 5 INSTALL HANDLES

- Turn VALVE to OFF position.
- Push CROSS HANDLE (1) onto VALVE STEM (2). Check alignment, if not satisfactory align.
- Insert HANDLE SCREW (3) and tighten.
- Press in INDEX BUTTON (4).



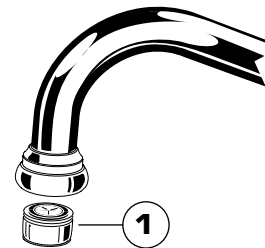
### 6 DRAIN INSTALLATION

- Apply a bead of PUTTY to underside of FLANGE on DRAIN BODY (1)
- Feed DRAIN BODY (1) down through LAVATORY.
- Assembly GASKET (2) WASHER (3) and LOCKNUT (4) onto DRAIN BODY (1). Tighten LOCKNUT (4) firmly.
- Assembly TAILPIECE (5) to DRAIN BODY (1).



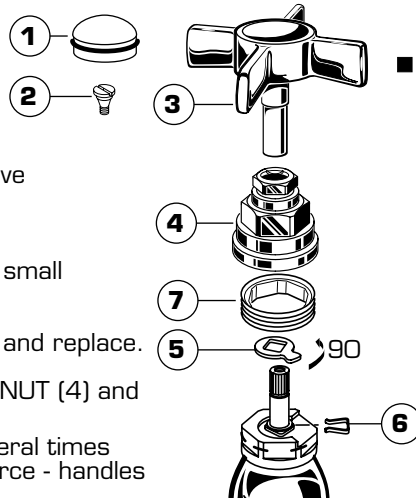
### 7 TEST INSTALLED FAUCET

- Turn VALVES to "off" position.
- With handles in "off" position, turn on water supplies and check all connections for leaks.
- Remove Aerator (1). Operate both handles and flush water lines thoroughly.
- Replace Aerator (1).



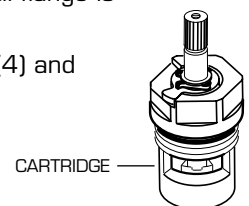
### 6 SERVICE

- To change direction of handle rotation, proceed as follows:
  - Turn valve to OFF position.
  - Pull out INDEX CAP (1) and remove HANDLE SCREW (2).
  - Pull off HANDLE (3) and unscrew BONNET NUT (4).
  - Pry off bonnet ADAPTER (7) with small flat screwdriver.
  - Remove SPRING CLIP (6).
  - Lift STOP WASHER (5), turn 90° and replace.
  - Replace SPRING CLIP (6).
  - Reinstall ADAPTER (7), BONNET NUT (4) and HANDLE ASSEMBLY (3, 2, 1).
- If spout drips, operate handles several times from OFF to ON position. Do not force - handles turn only 90°.



- CARTRIDGE may accumulate dirt causing reduced water flow. To clean, first turn off hot and cold water supplies, then:

- Remove HANDLE.
- Unscrew CARTRIDGE with wrench.
- Thoroughly rinse CARTRIDGE.
- Replace CARTRIDGE until flange is tight against valve body.
- Turn valves OFF.
- Reinstall BONNET NUT (4) and HANDLE ASSEMBLY.

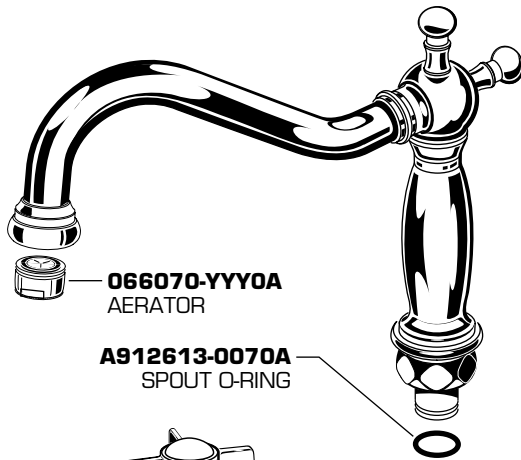


# PORCHER®

## REPRISE BRIDGE VESSEL FAUCET

MODEL NUMBER

**5535.504**



**066070-YYY0A**  
AERATOR

**A912613-0070A**  
SPOUT O-RING

**M961649-0070A**  
INDEX BUTTON COLD  
**M961650-0070A**  
INDEX BUTTON HOT

**A918555-0070A**  
HANDLE SCREW

**M908578-YYY0A**  
CROSS HANDLE



**M962264-YYY0A**  
ADAPTER KIT  
(After 6/03)

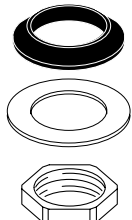
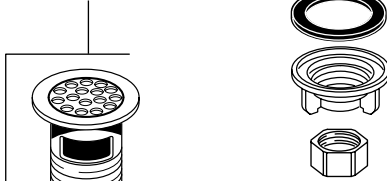
**994053-0070A**  
VALVE CARTRIDGE

**M961664-0070A**  
YOKE RING SEAL KIT

**M961712-YYY0A**  
HANDLE BASE with  
SPRING CLIP  
(Before 6/03)



**015025-YYY0A**  
GRID DRAIN COMPLETE



**070532-0040A**  
TAILPIECE

Replace the "YYY" with appropriate finish code

CHROME	002
POLISHED NICKEL	008
POLISHED BRASS	099
BRUSHED NICKEL	295

**M961665-0070A**  
VALVE MOUNTING KIT

**024220-0070A**  
SUPPLY NUT