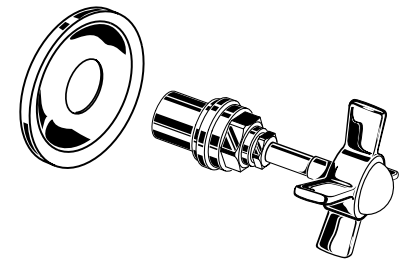


# PORCHER®

## Installation Instructions

### REPRISE IN-WALL DIVERTER TRIM KIT

5535.430  
5535.420  
T535.420



Thank you for selecting Porcher Products.

To ensure that your installation proceeds smoothly—please read these instructions carefully before you begin.

Certified to comply with ANSI A112.18.1M  
U.S. Patent No. 5,819,789

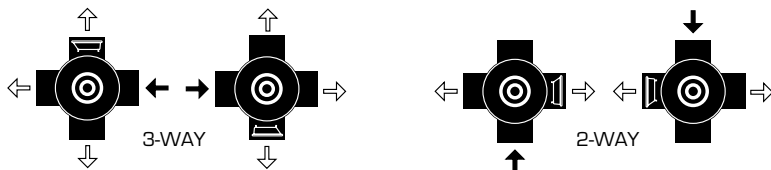
M968451

## 1 ROUGHING-IN (FOR REFERENCE)

### CAUTION

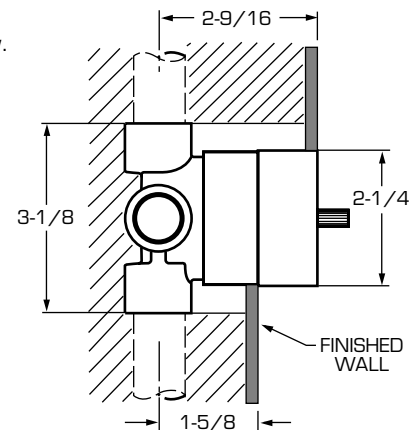
Turn off hot and cold water supplies before beginning.

- See Roughing-in Drawing on reverse side. The port with the BATH TUB picture is the high flow.
- The DIVERTER can be installed with the inlet rotated in any position.
- Supply connections are 1/2" NPT connections.
- For proper positioning the finished wall must be within side of PLASTER GUARD.



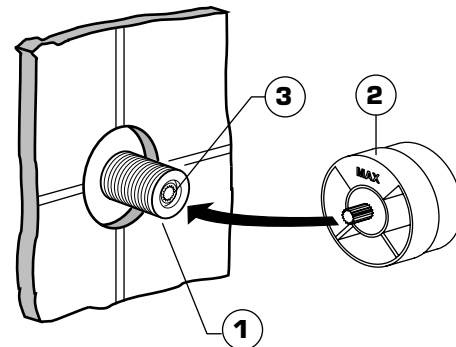
### ROUGHING-IN DIMENSIONS

NOTE: NO CONCEALED PIPING FURNISHED



## 2 TEST DIVERTER

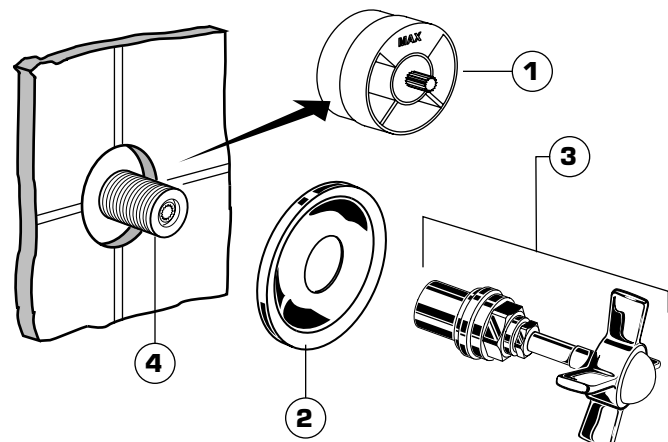
- Check that the DIVERTER (1) operates correctly and does not leak. To do this, screw off the PLASTER GUARD (2), turn around, insert using the fluted pin into the fluting on the DIVERTER SPINDLE (3). Use the PLASTER GUARD (2) as a diverter knob. Screw the PLASTER GUARD (2) back on. Have the wall tiled only with the PLASTER GUARD (2) installed.



## 3 INSTALL TRIM

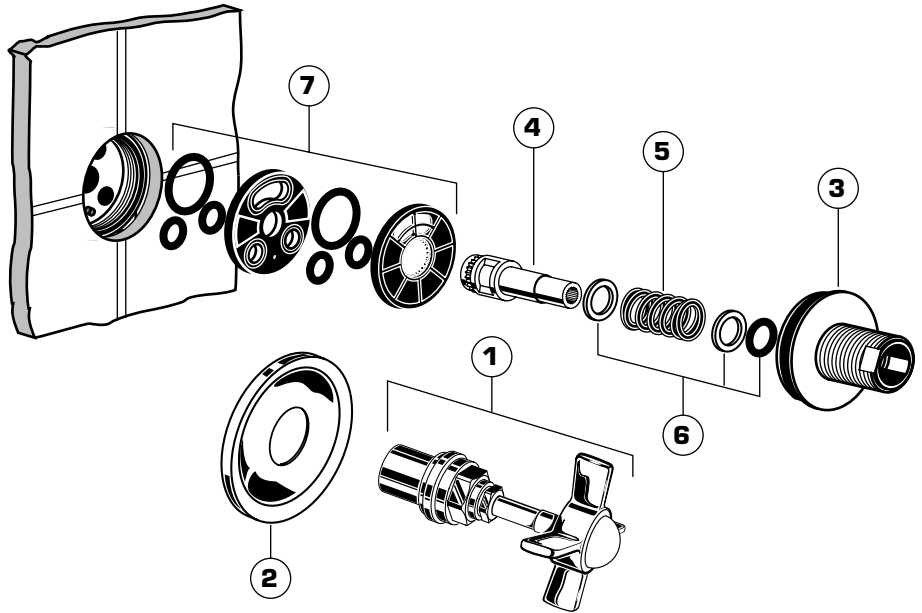
- When finished tiling wall, remove PLASTER GUARD (1).
- Place ESCUTCHEON (2) on HANDLE ASSEMBLY (3). Thread HANDLE ASSEMBLY (3) with ESCUTCHEON (2) onto DIVERTER SHANK (4) until tight against the finished wall.

To operate, turn the HANDLE clockwise or counter clockwise.



■ **To Replace O-Rings:**

- Turn off water supply.
- Thread counter clock-wise HANDLE ASSEMBLY (1) and remove HANDLE ASSEMBLY (1) and ESCUTCHEON (2).
- Unscrew CAP (3) and remove STEM (4), SPRING (5) and SEALS (6).
- Remove old DIVERTER ELEMENTS (7) and install new parts.
- Assemble new and remaining parts in reverse order.

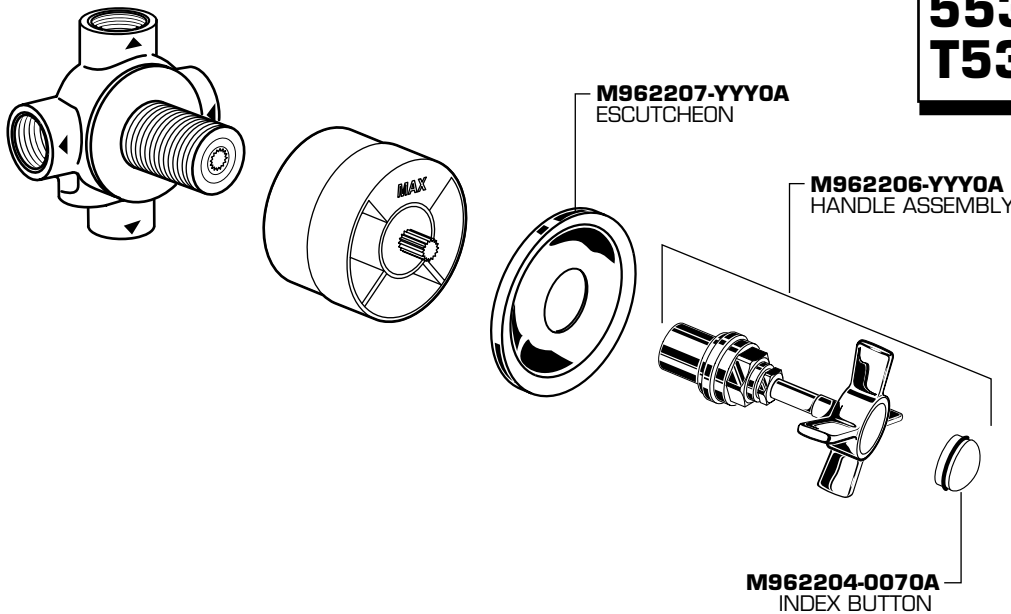


PORCHER®

**REPRISE  
IN-WALL DIVERTER  
TRIM KIT**

MODEL NUMBER

**5535.430  
5535.420  
T535.420**



Replace the "YYY" with appropriate finish code

CHROME	002
POLISHED NICKEL	008
POLISHED BRASS	099
BRUSHED NICKEL	295



HOTLINE FOR HELP

For toll-free information and answers to your questions, call:

1 (800) 359-3261

Weekdays 8:00 to 7:00 p.m. EST

IN CANADA 480-961-5353

# PORCHER®

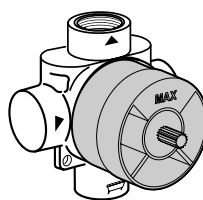
## Installation Instructions

### SHOWER SYSTEMS IN-WALL DIVERTER (TWO-WAY AND THREE-WAY)

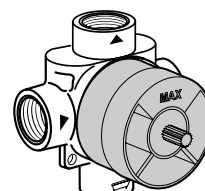
RP430  
RP420

RP420

RP430



(TWO-WAY)



(THREE-WAY)

Thank you for selecting Porcher Products.

To ensure that your installation proceeds smoothly—please read these instructions carefully before you begin.

Certified to comply with ANSI A112.18.1M  
U.S. Patent No. 5,819,789

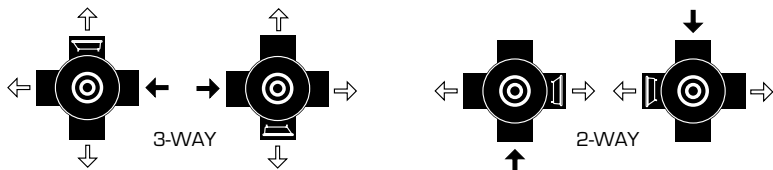
M968449

## 1 ROUGHING-IN

### CAUTION

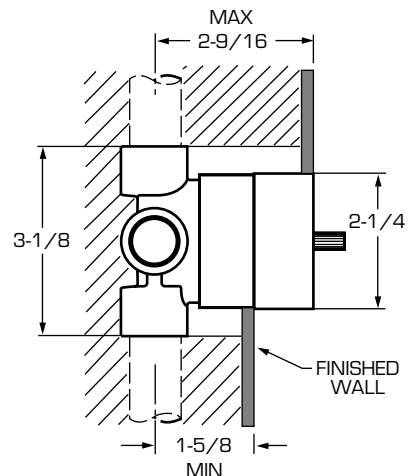
Turn off hot and cold water supplies before beginning.

- The port with the BATH TUB picture is the high flow.
- The DIVERTER can be installed with the inlet rotated in any position.
- Supply connections are 1/2" NPT connections.
- For proper positioning the finished wall must be within side of PLASTER GUARD.



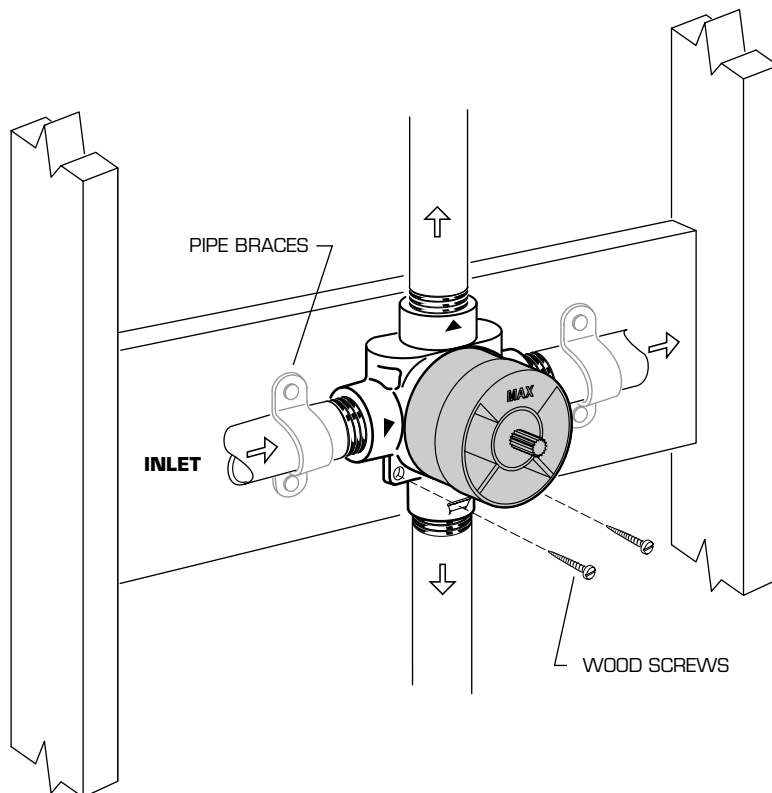
### ROUGHING-IN DIMENSIONS

NOTE: NO CONCEALED PIPING FURNISHED



## 2 MAKE PIPING CONNECTIONS

- Connect water to valve. The reverse side of the body is marked with arrows.
- CAUTION: Do not solder near the VALVE. Damage to the SEALS may occur.
- Do not seal any outlets. The DIVERTER cannot be used as a stop valve.
- For support use pipe braces secured to wooden braces. Wood screws can also be used to secure the diverter.



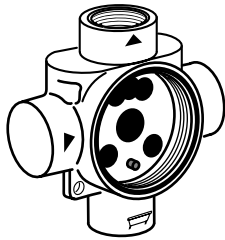


# PORCHER®

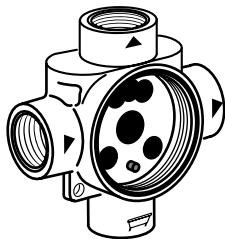
## SHOWER SYSTEMS IN-WALL DIVERTER

**RP430 (THREE-WAY)  
RP420 (TWO-WAY)**

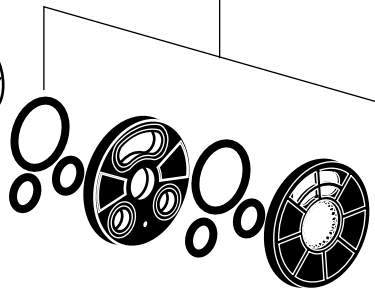
RP420 (TWO-WAY)



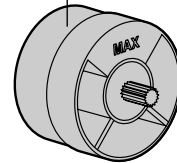
RP430 (THREE-WAY)



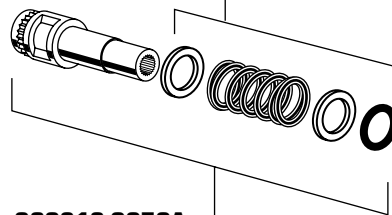
**060220-0070A**  
DIVERTER REPAIR KIT



PLASTER GUARD

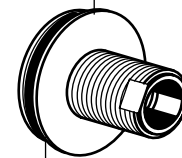


**051310-0070A**  
SPRING KIT



**060219-0070A**  
STEM KIT

**051309-0070A**  
CAP



**912647-0070A**  
CAP SEAL



### HOTLINE FOR HELP

For toll-free information and answers to your questions, call:

1 (800) 359-3261

Weekdays 8:00 to 7:00 p.m. EST

IN CANADA 480-961-5353

Product names listed herein are trademarks of Porcher, Ltd.  
©Porcher, Ltd. 2003

M968449