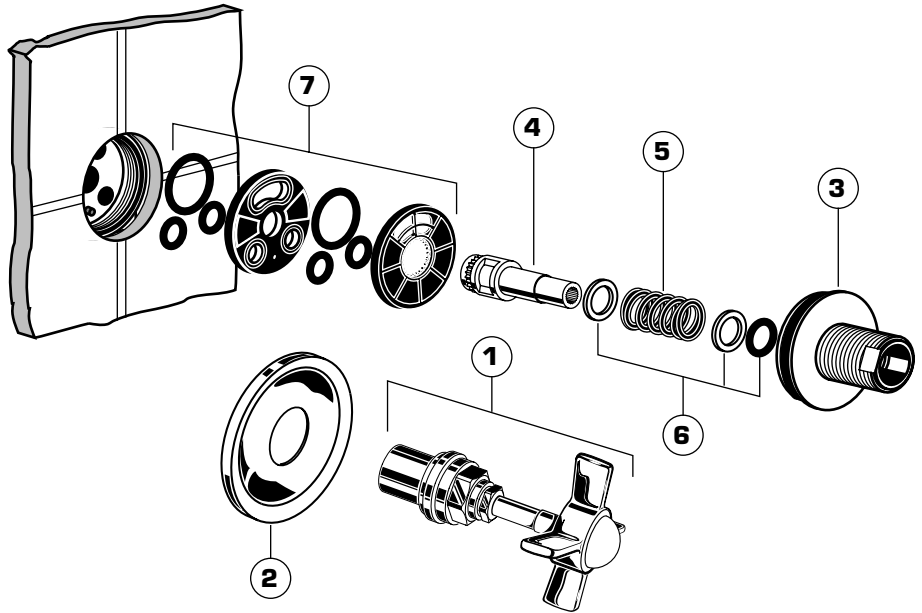


■ **To Replace O-Rings:**

- Turn off water supply.
- Thread counter clock-wise HANDLE ASSEMBLY (1) and remove HANDLE ASSEMBLY (1) and ESCUTCHEON (2).
- Unscrew CAP (3) and remove STEM (4), SPRING (5) and SEALS (6).
- Remove old DIVERTER ELEMENTS (7) and install new parts.
- Assemble new and remaining parts in reverse order.

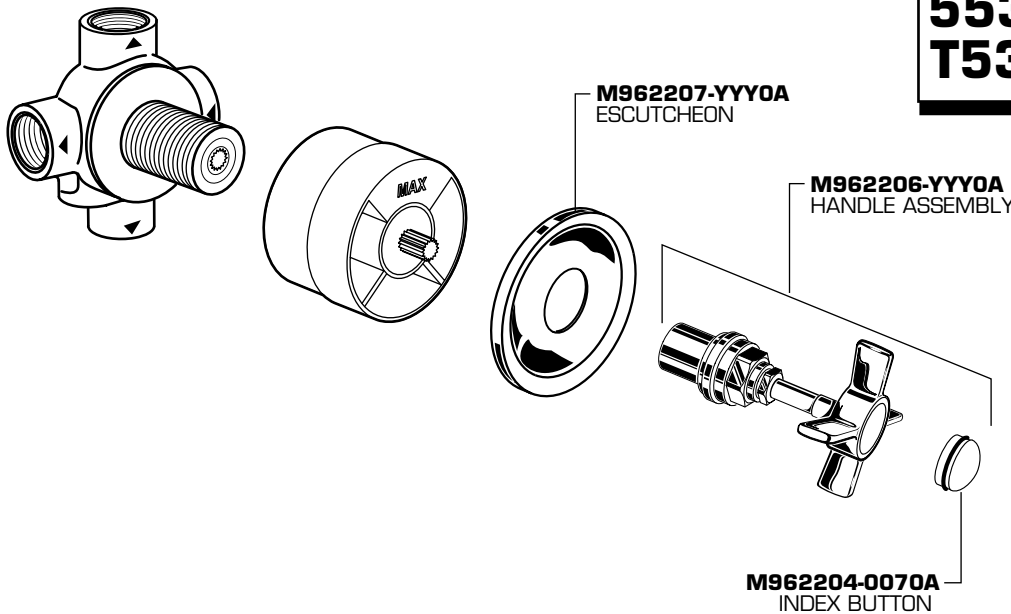


PORCHER®

**REPRISE
IN-WALL DIVERTER
TRIM KIT**

MODEL NUMBER

5535.430
5535.420
T535.420



Replace the "YYY" with appropriate finish code

CHROME	002
POLISHED NICKEL	008
POLISHED BRASS	099
BRUSHED NICKEL	295



HOTLINE FOR HELP

For toll-free information and answers to your questions, call:

1 (800) 359-3261

Weekdays 8:00 to 7:00 p.m. EST

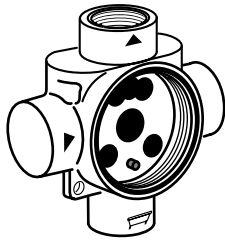
IN CANADA 480-961-5353

PORCHER®

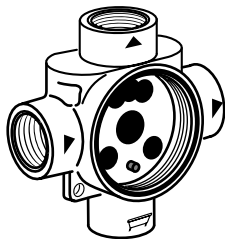
SHOWER SYSTEMS IN-WALL DIVERTER

**RP430 (THREE-WAY)
RP420 (TWO-WAY)**

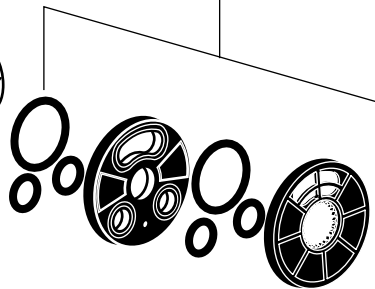
RP420 (TWO-WAY)



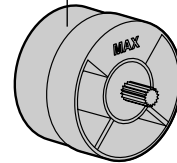
RP430 (THREE-WAY)



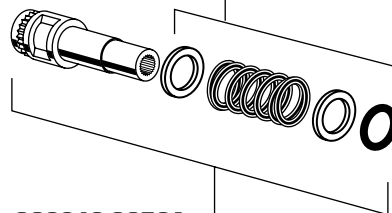
**060220-0070A
DIVERTER REPAIR KIT**



PLASTER GUARD

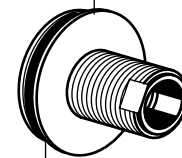


**051310-0070A
SPRING KIT**



**060219-0070A
STEM KIT**

**051309-0070A
CAP**



**912647-0070A
CAP SEAL**



HOTLINE FOR HELP

For toll-free information and answers to your questions, call:

1 (800) 359-3261

Weekdays 8:00 to 7:00 p.m. EST

IN CANADA 480-961-5353

Product names listed herein are trademarks of Porcher, Ltd.
©Porcher, Ltd. 2003

M968449