

PORCHER®

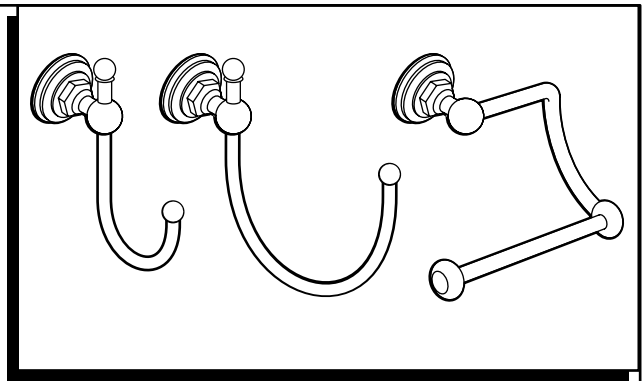
REPRISE ACCESSORIES

ROBE HOOK
TOWEL RING
TISSUE PAPER HOLDER

Installation Instructions

5535.210
5535.190
5535.230

Thank you for selecting Porcher Products.
To ensure that your installation proceeds smoothly—please read these instructions carefully before you begin.



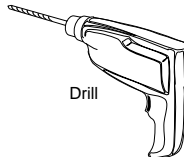
Certified to comply with ANSI A112.18.1

M968406

Recommended Tools



Tape Measure



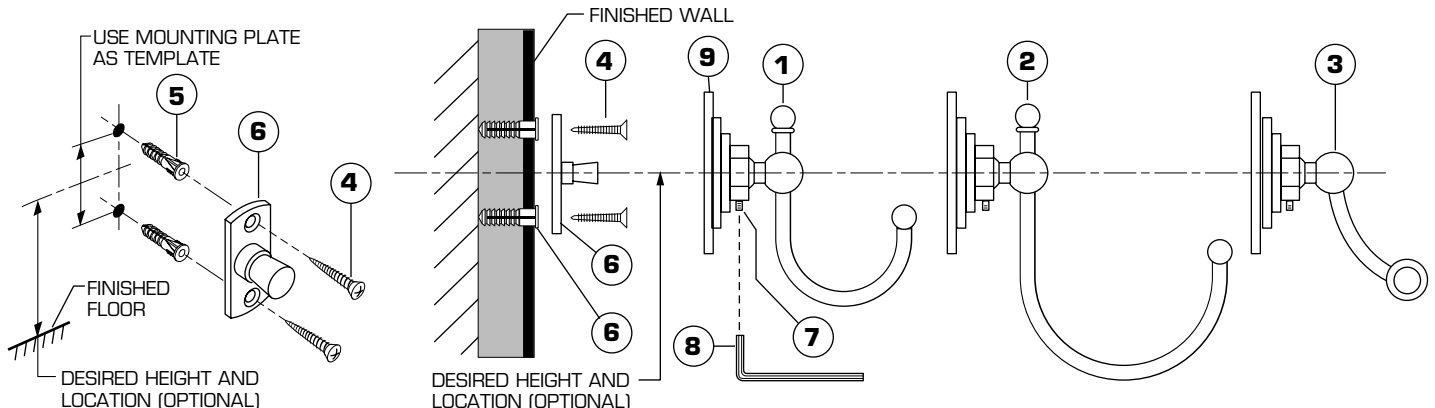
Drill



#2 Phillips Screwdriver

1 ROBE HOOK, TOWEL RING and TISSUE PAPER HOLDER MOUNTING & INSTALLATION

- The ROBE HOOK (1), TOWEL RING (2) and TISSUE PAPER HOLDER (3) work best if secured to a wall stud or cross brace within the wall, using the SCREWS (4) supplied.
- If the ROBE HOOK (1), TOWEL RING (2) and TISSUE PAPER HOLDER (3) are to be installed on a tile or plaster wall the ANCHORS (5) SCREWS (4) must be used.
- Determine desired height and location (optional) and mark a center line. Using the MOUNTING PLATE (6) as a template mark the two spots for the ANCHORS (5). If MOUNTING PLATE (6) is secured to a stud or cross brace drill small pilot holes for SCREWS (4).
- **For installations on drywall or tiled walls**, if ANCHORS (5) and SCREWS (4) are used for securing MOUNTING PLATES (6), drill two 1/4" dia. holes a minimum of 1-1/4" deep. Insert the two ANCHORS (5) flush with face of the finished wall. Secure MOUNTING PLATES (6) to wall with SCREWS (4) with a #2 Phillips screwdriver.
- Place the ROBE HOOK (1), TOWEL RING (2) or TISSUE PAPER HOLDER (3) onto the MOUNTING PLATE (6) so that ESCUTCHEON (9) is flush against the MOUNTING PLATE (6). Tighten the SET SCREW (7) with HEX WRENCH (8) supplied to secure the ROBE HOOK (1), TOWEL RING (2) or TISSUE PAPER HOLDER (3) to the MOUNTING PLATE (6). Align and tighten fully to complete installation.



2 CARE INSTRUCTIONS

- To keep your new accessory looking new, please follow these simple care instructions:
 - DO:** ■ Simply rinse the accessory clean with clear water.
 - Dry the accessory with a soft cotton cloth.
 - DO NOT:**
 - Do not use any abrasive cleaners, cloths, or paper towels.
 - Do not use any cleaning agents containing acids, polish abrasives, or harsh cleaners or soaps.
- Regular and routine cleaning will reduce the need for heavy cleaning and polishing. If heavy cleaning is

required, the following procedures are recommended:

- Remove as much surface dirt and film using clear water and soft cotton cloth (as described).
 - Use any of the following to remove tough surface film and build-up:
 - Mild liquid detergents
 - Clear ammonia free liquid glass cleaners
 - Non-acidic, non-abrasive gentle liquid or fully dissolved powder cleansers mixed according to manufacturers directions.
 - Non-abrasive liquid polishers
- Once clean, rinse accessory again with clear water to thoroughly remove cleaner or polish and blot dry with a clean dry cloth.

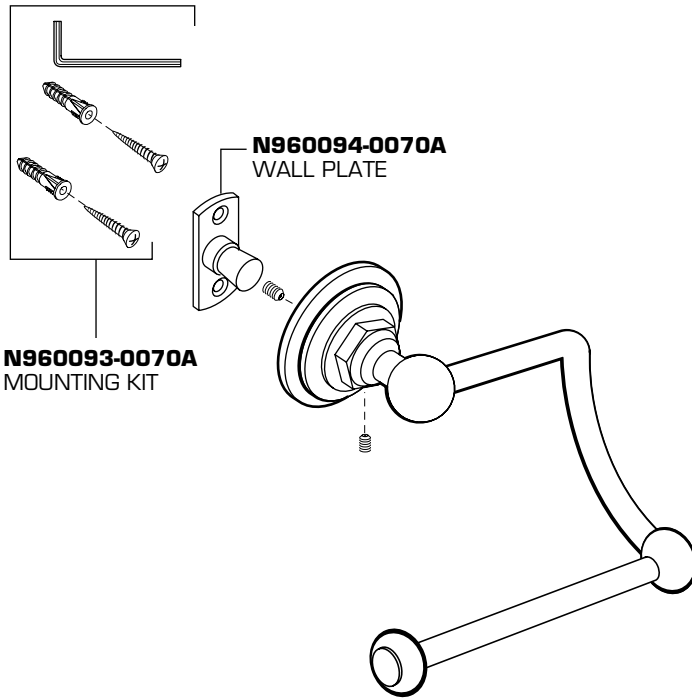
Failure to follow these care instructions may damage the accessories finish.

PORCHER®

REPRISE ACCESSORIES

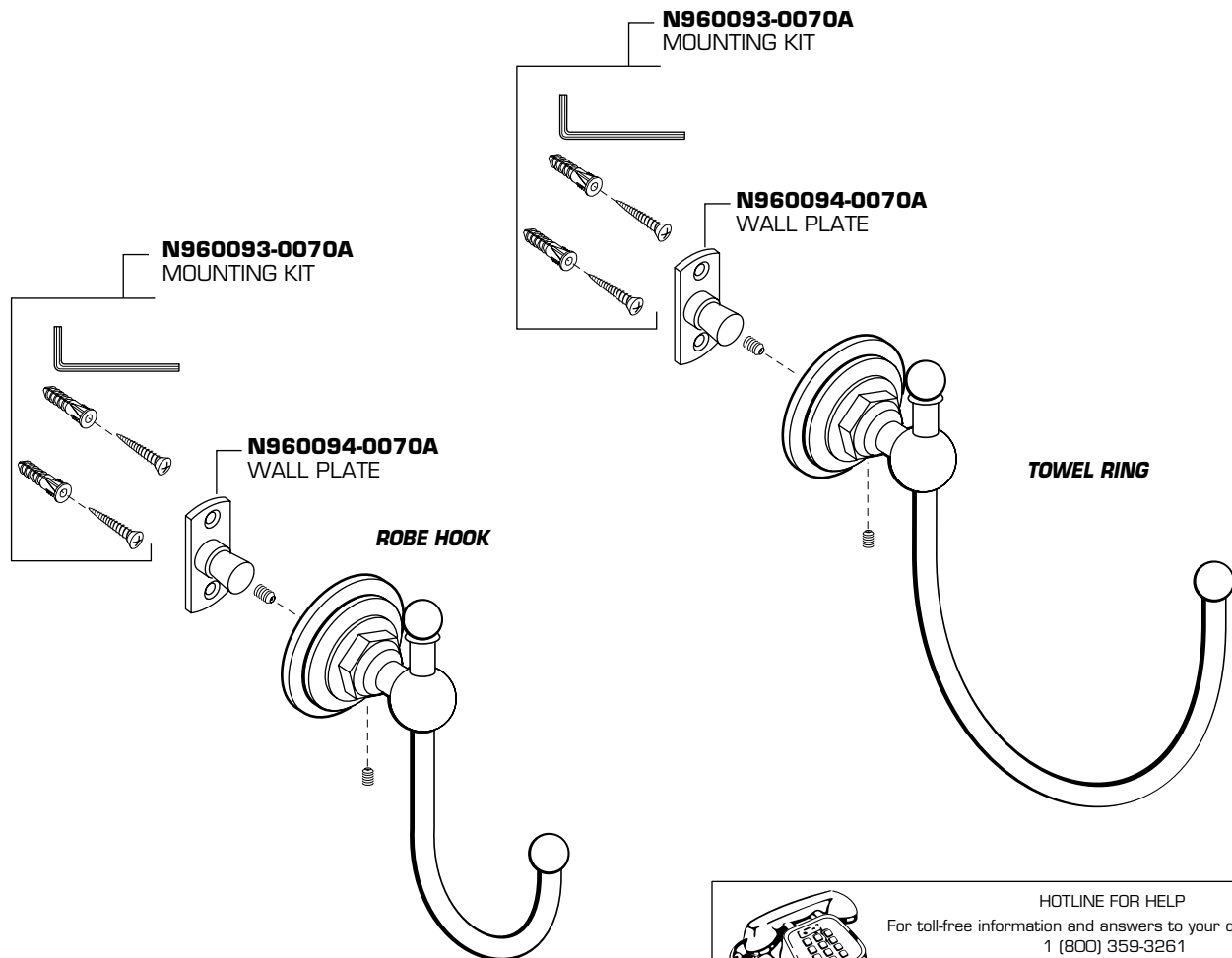
MODEL NUMBERS

ROBE HOOK	5535.210
TOWEL RING	5535.190
TISSUE PAPER HOLDER	5535.230



Replace the "YYY" with appropriate finish code

CHROME	002
POLISHED NICKEL	008
POLISHED BRASS	099
BRUSHED NICKEL	295



HOTLINE FOR HELP

For toll-free information and answers to your questions, call:

1 (800) 359-3261

Weekdays 8:00 to 7:00 p.m. EST

IN CANADA 480-961-5353

Product names listed herein are trademarks of Porcher, Ltd.
©Porcher, Ltd. 2003

M968406