

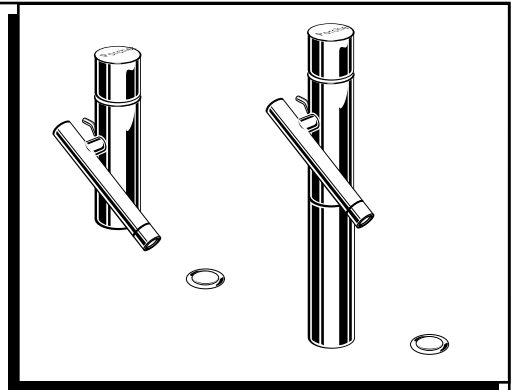
# PORCHER®

## Installation Instructions

### ALFIERE

**SINGLE LEVER LAVATORY/BIDET  
SINGLE LEVER VESSEL FAUCET**

**5415.101  
5415.501**



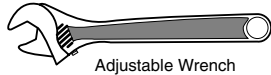
Certified to comply with ANSI A112.18.1

M968409A

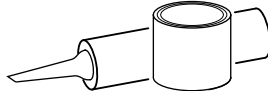
Thank you for selecting Porcher Products.

To ensure that your installation proceeds smoothly—please read these instructions carefully before you begin.

### Recommended Tools & Materials



Adjustable Wrench



Plumbers' Putty or  
Caulking



Regular Screwdriver



Phillips Screwdriver



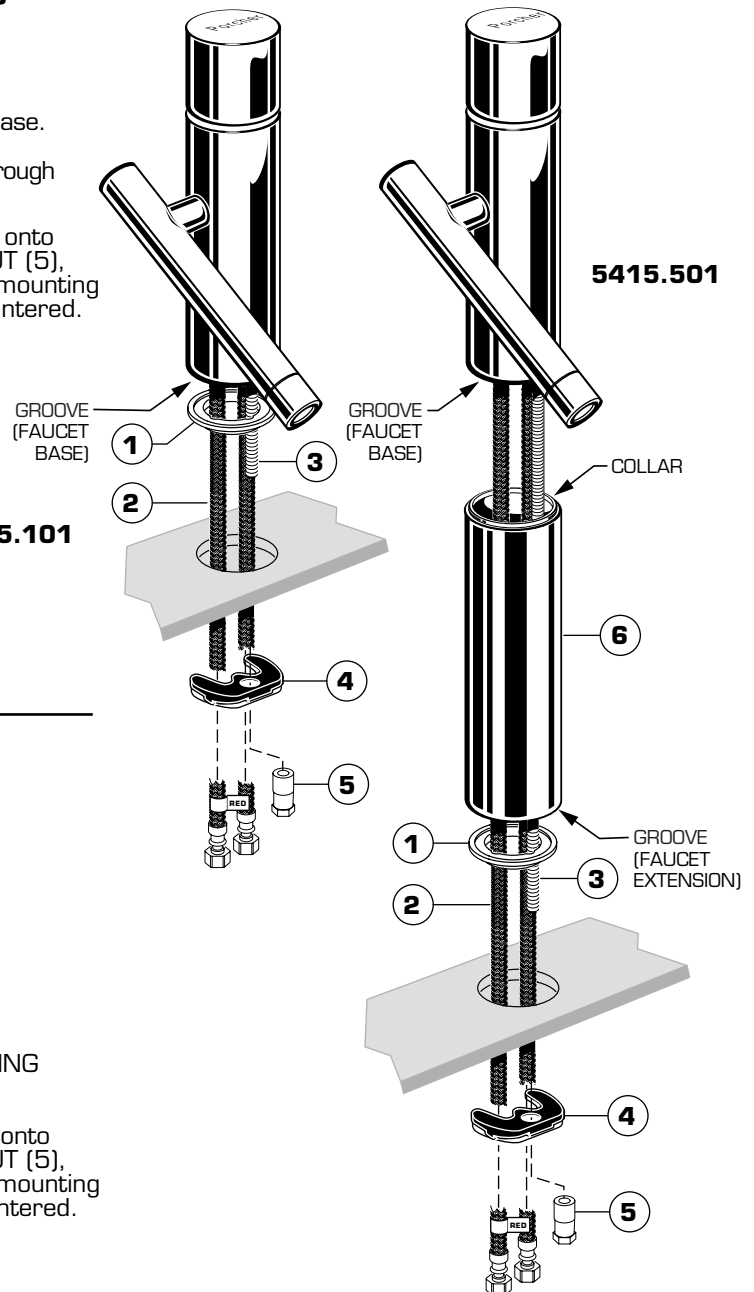
Channel Locks

### 1 INSTALL LAVATORY OR BIDET FAUCET (5415.101)

**CAUTION** Turn off hot and cold water supplies before beginning.

*For single hole mounting only.*

- Seat SEAL (1) with collar facing down into groove in faucet base.
- Feed FAUCET SUPPLIES (2) and MOUNTING STUD (3) through the mounting hole of lavatory/bidet or mounting surface.
- From below, push RETAINING WASHER with GASKET (4) onto MOUNTING STUD (3). Secure Faucet with MOUNTING NUT (5), pulling faucet to front of sink, so STUD (3) rests against mounting hole. Before final tightening, adjust Faucet so that it is centered. Tighten MOUNTING NUT (5) to complete mounting.



### 1A Installation with EXTENSION (6) (5415.501)

*For single hole mounting only.*

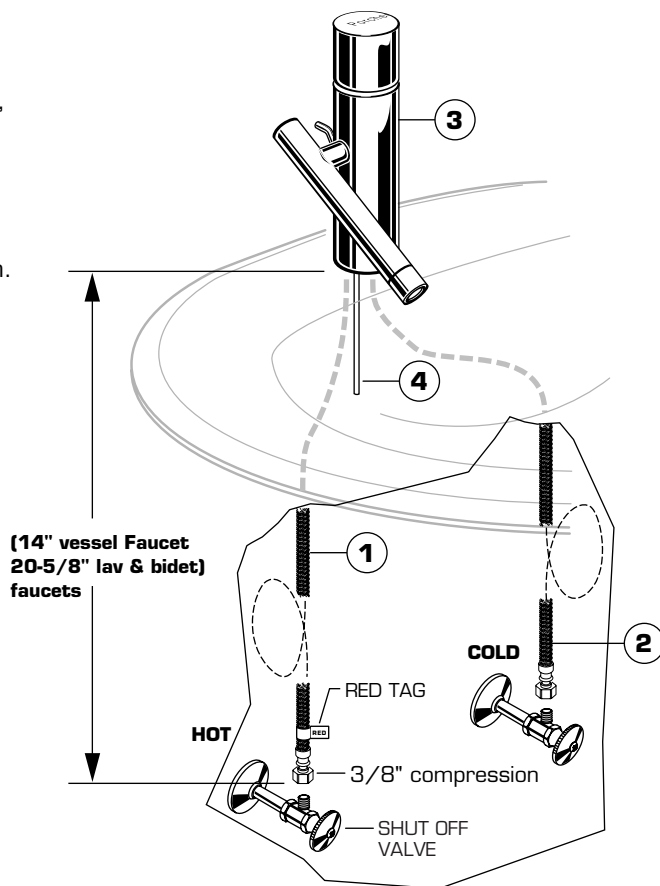
*NOTE; The FAUCET with EXTENSION (6) (5415.501) is used for installation with above-counter sinks.*

- With the collar of the EXTENSION (6) facing up slide the EXTENSION (6) over the FAUCET SUPPLIES (2) and the MOUNTING STUD (3). The collar of EXTENSION (6) fits into the groove of the faucet base. No gasket or sealant is required.
- Seat SEAL (1) with collar facing down into groove in faucet EXTENSION (6). Feed FAUCET SUPPLIES (2) and MOUNTING STUD (3) through mounting hole of deck.
- From below, push RETAINING WASHER and GASKET (4) onto MOUNTING STUD (3). Secure Faucet with MOUNTING NUT (5), pulling faucet to front of sink, so STUD (5) rests against mounting hole. Before final tightening, adjust faucet so that it is centered. Tighten MOUNTING NUT (5) to complete mounting.

## 2 WATER SUPPLY CONNECTIONS

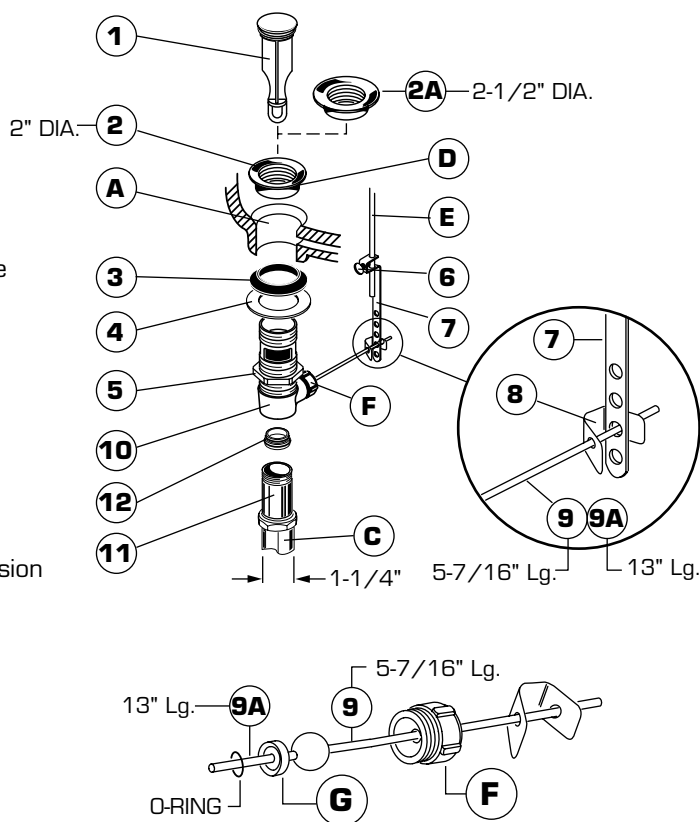
**Note:** FLEXIBLE HOSES (1, 2) on FAUCET (3) are (14" vessel, 20-5/8" lav & bidet) in length from base of faucet. If longer supply length is required installer must purchase adapters and additional supplies to complete connections.  
**Important:** If SUPPLY HOSES (1, 2) are to long, loop as illustrated to avoid kinking.

- Connection on FLEXIBLE HOSES (1, 2) are 3/8" compression. Connect left supply to (Hot Marked with a Red Tag) and right supply to Cold wall supply.
- Use adjustable wrenches to tighten connections. Do not over tighten.
- Install POP-UP ROD (4).



## 3 INSTALL POP-UP DRAIN

- Push Tail piece (11) down into Trap (C) (threaded end up).
- Thread Locknut (5), Washer (4) and Gasket (3) (Bevel side up) onto Drain Body (10).
- Apply a bead of Putty (D) to underside of Flange (2) or (2A).
- Feed Drain Body (10) up through Sink (A) and thread the Flange (2) or (2A) fully onto Drain Body (10).
- Tighten Locknut (5) firmly, keeping the pivot rod hole pointed towards the back of the sink.
- Assemble Pivot Rod (9) or (9A) as shown in Figure-3A. Notice the position of the Concave Washer (G).
- Insert Pivot Rod (9) or (9A) into Drain Body (10) and tighten Pivot Nut (F).
- Push TAILPIECE INSERT (12) into TAILPIECE (11) and push TAILPIECE up and thread tightly into DRAIN BODY (10).
- Position Extension Rod (7) onto Pop-Up Rod (E) and tighten Thumbscrew (6).
- Remove one end of Clip (8) from Pivot Rod (9) or (9A) by squeezing ends together while sliding.
- Insert Pivot Rod (9) or (9A) into second or third hole in Extension Rod (7) and reassemble Clip (8).
- Drop Stopper (1) into Drain Body (10).
- Adjust stopper height by repositioning Extension Rod (7) and tightening Thumbscrew (6).



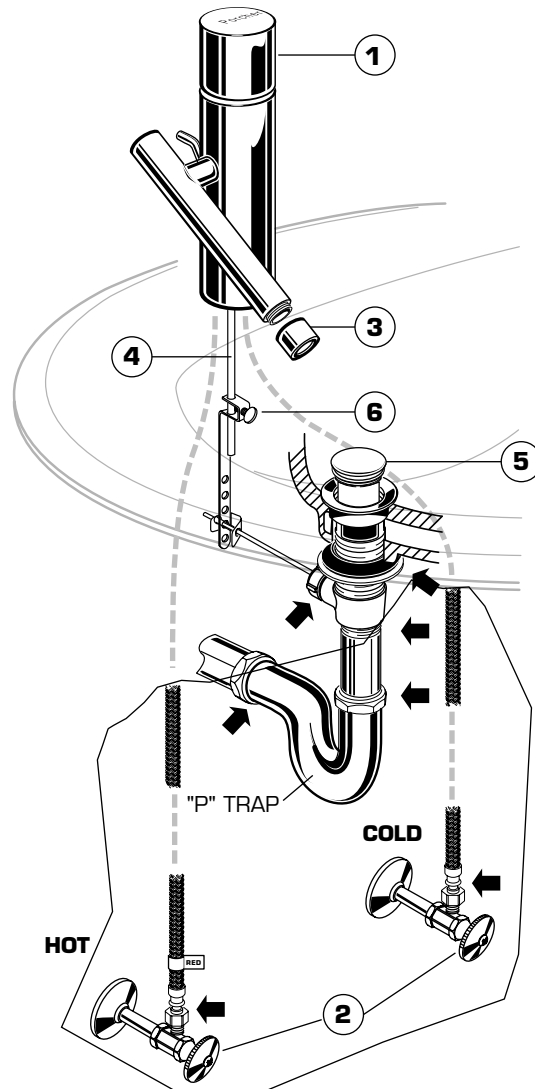
**FIGURE-3A:**

## 4 TEST INSTALLED FAUCET AND CHECK FOR LEAKS

- With HANDLE (1) in OFF position, turn on WATER SUPPLIES (2) and check all connections for leaks. ➔
- Remove AERATOR (3).
- Operate HANDLE (1) to flush water lines thoroughly.
- Replace AERATOR (3).

## 4a CHECK DRAIN CONNECTIONS

- Operate LIFT ROD (4) and fill lavatory with water. Check that DRAIN STOPPER (5) makes a good seal and retains water in lavatory. If necessary adjust stopper height by repositioning LIFT ROD (4) and tightening Thumbscrew (6).
- Release DRAIN STOPPER (5) and check all drain connections and "P" trap for leaks. ➔ Tighten if necessary.



## 5 CARE INSTRUCTIONS:

- To keep your new faucet looking new, please follow these simple care instructions:
  - DO:** ■ Simply rinse the faucet clean with clear water.
    - Dry the faucet with a soft cotton cloth.
  - DO NOT:**
    - Do not use any abrasive cleaners, cloths, or paper towels.
    - Do not use any cleaning agents containing acids, polish abrasives, or harsh cleaners or soaps.
- Regular and routine cleaning will reduce the need for heavy cleaning and polishing. If heavy cleaning is required, the following procedures are recommended:

- Remove as much surface dirt and film using clear water and soft cotton cloth (as described above).
  - Use any of the following to remove tough surface film and build-up:
    - Mild liquid detergents
    - Clear ammonia free liquid glass cleaners
    - Non-acidic, non-abrasive gentle liquid or fully dissolved powder cleansers mixed according to manufacturers directions.
    - Non-abrasive liquid polishers
- Once clean, rinse faucet again with clear water to thoroughly remove cleaner or polish and blot dry with a soft cotton cloth.

***Failure to follow these care instructions may damage the Faucet's finish.***

# PORCHER®

## ALFIERE MONOBLOCK LAVATORY AND BIDET FAUCET

MODEL NUMBER

**5415.101**  
**5415.501**

Replace the "YYY" with appropriate finish code

CHROME	002
--------	-----

**N960079-0070A**  
CARTRIDGE NUT  
**912740-0070A**  
O-RING

**A952900-0070A**  
CARTRIDGE

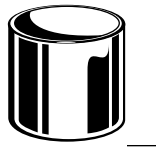
5415.101

5415.501

**N960082-YYY0A**  
POP-UP ROD



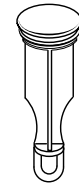
**N960075-YYY0A**  
HANDLE KIT  
**A918319-0070A**  
HANDLE SCREW



**N960077-YYY0A**  
CARTRIDGE CAP

**N960078-0070A**  
O-RING

**M953460-YYY0A**  
COMPLETE  
DRAIN ASSEMBLY



**066116-YYY0A**  
DRAIN STOPPER

**066117-YYY0A**  
2" FLANGE KIT

**M962100-YYY0A**  
2-1/2" FLANGE KIT



**N960074-YYY0A**  
AERATOR

**N960083-YYY0A**  
EXTENSION

**066118-0070A**  
PIVOT ROD KIT  
(5-7/16" lg.)

**070847-0070A**  
CLIP

**M962101-0070A**  
PIVOT ROD KIT (13" lg.)

**051049-0070A**  
MOUNTING KIT

**072574-0070A**  
EXTENSION ROD

**M961711-0070A**  
TAILPIECE INSERT

**070532-0040A**  
TAILPIECE



HOTLINE FOR HELP

For toll-free information and answers to your questions, call:

1 (800) 359-3261

Weekdays 8:00 to 7:00 p.m. EST

IN CANADA 480-961-5353

Product names listed herein are trademarks of Porcher, Ltd.  
©Porcher, Ltd. 2003

M968409A