

PORCHER®

INSTALLATION INSTRUCTIONS

Lutezia Bidet Model 50148

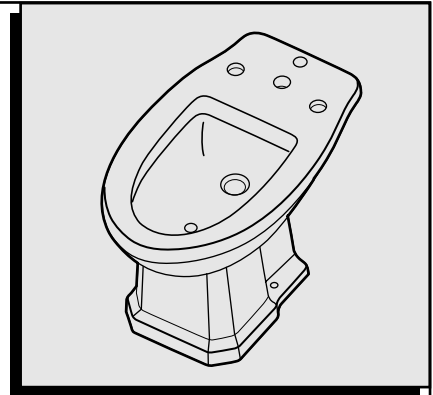
Thank you for selecting Porcher - the benchmark of fine quality for over 100 years. To ensure this product is installed properly, please read these instructions carefully before you begin. (Certain installations may require professional help.) Also be sure your installation conforms to local codes.

Certified to comply with ANSI A112.19.2M
Observe local plumbing and building codes.

⚠ CAUTION: PRODUCT IS FRAGILE. TO AVOID BREAKAGE AND POSSIBLE INJURY HANDLE WITH CARE!

NOTE: Pictures may not exactly define contour of china and components.

730705-100



RECOMMENDED TOOLS AND MATERIALS

Putty Knife	Regular Screwdriver	Adjustable Wrench	Tape Measure	Sealant
Hacksaw	Flexible Supply Tube	Closet Bolts	Carpenters Level	

ROUGHING-IN

If a side by side toilet and bidet installation is desired, a comfortable separation of 2 feet (610 mm) is required between the units.

INSTALLATION

1. Refer to bidet illustrations. Measure the distance from the finished wall to the center of the drain outlet corresponding to selected bidet model dimension. Check that the distance between the finished wall to the end of the bidet is compatible with clearance requirements of your bidet fitting.
2. Provisions must be made for the installation of a "P" trap in the floor when drain outlet is installed.
3. Water supplies should be located near the center line of the bidet, approximately 3 inches (76mm) to either side. Wall supply installations must be approximately 7 inches (178mm) above the floor and protrude a minimum of 3-1/4 inches (83mm) from the wall. Complete rough-in using angle 3/8" (10mm) stop valves. If floor supply installation is desired, check dimensions from finished wall to end of the bidet and rough-in appropriately. Use straight stop valves.
4. It is recommended that you install the bidet fitting and drain assembly at this time to ease installation.
5. Secure bidet to floor using headless hanger screws supplied.

HOTLINE FOR HELP



For toll-free information and answers to your questions, call:

1 (800) 359-3261.

Weekdays 8:00 a.m. to 4:00 p.m. Eastern Time

