

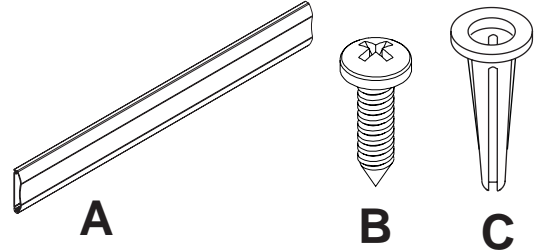
Read instruction sheet before you start installation and assembly.

Before you start make sure all parts listed are included with your product.

## Parts List

Description	ACC924	ACC926	RTCM06	PART#
	QTY.	QTY.	QTY.	
<b>A</b> cable management cover	2	3	3	590-2207
<b>B</b> wood screws	6	9	9	500-2014
<b>C</b> drywall anchor	6	9	9	590-0104

Some parts may appear slightly different than illustrated.



1

Using cable management cover (A) as a template, mark center of mounting holes (two for ACC 924 or three for ACC 926 and RTCM06). Drill 3/16" (5 mm) dia. holes to a minimum depth of 7/8" (22 mm). Insert drywall anchors (C) into drywall. Open cable management cover, then secure using wood screws (B) as shown in **fig. 1.1**. Tighten all fasteners, route cables then close cable management cover.

**Note:** Cable management cover can be attached at any angle as shown in **fig. 1.2**.

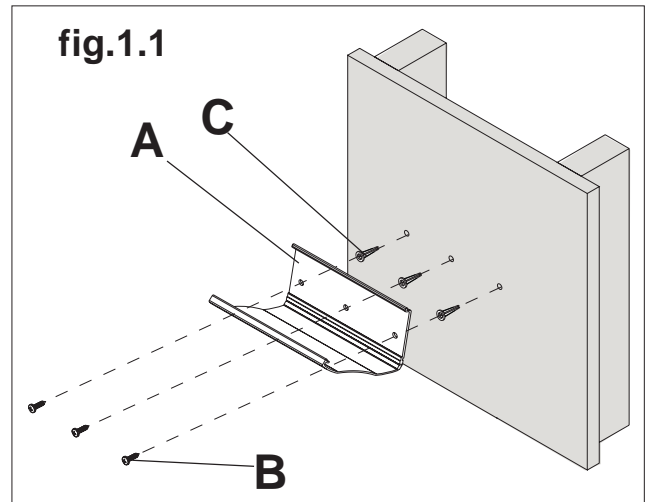
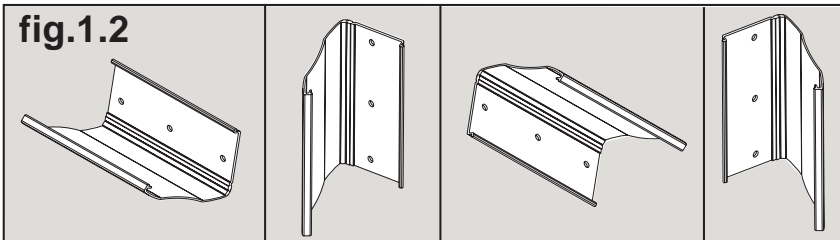


fig.1.2



## WARNING

- Tighten wood screws so that cord management cover is firmly attached, but do not overtighten. Overtightening can damage the screws, greatly reducing their holding power.
- Never tighten in excess of 80 in • lb (9 N.M.).