

# Assembly Instructions - External Wall Plate

Models: OP-WSP425, OP-WSP435, OP-WSP445,

**IMPORTANT!** Read entire instruction sheet before you start installation and assembly.



**MAXIMUM OSHPD LOAD  
CAPACITY: 118 lb (53.5 kg)**

## ⚠ WARNING

- Make sure that the wall will safely support the combined load of the equipment and all attached hardware and components.

**OP-WSP 425** for studs on 16" (406 mm) centers, contains two electrical box knockouts.

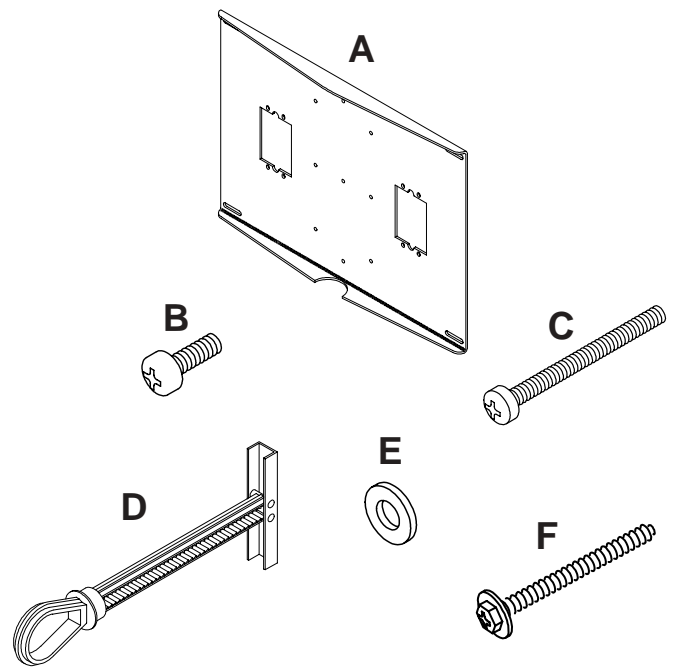
**OP-WSP 435** for studs on 20" (508 mm) or 16" (406 mm) centers, contains two electrical box knockouts.

**OP-WSP 445** for studs on 24" (610 mm), 20" (508 mm) or 16" (406 mm) centers, contains two electrical box knockouts.

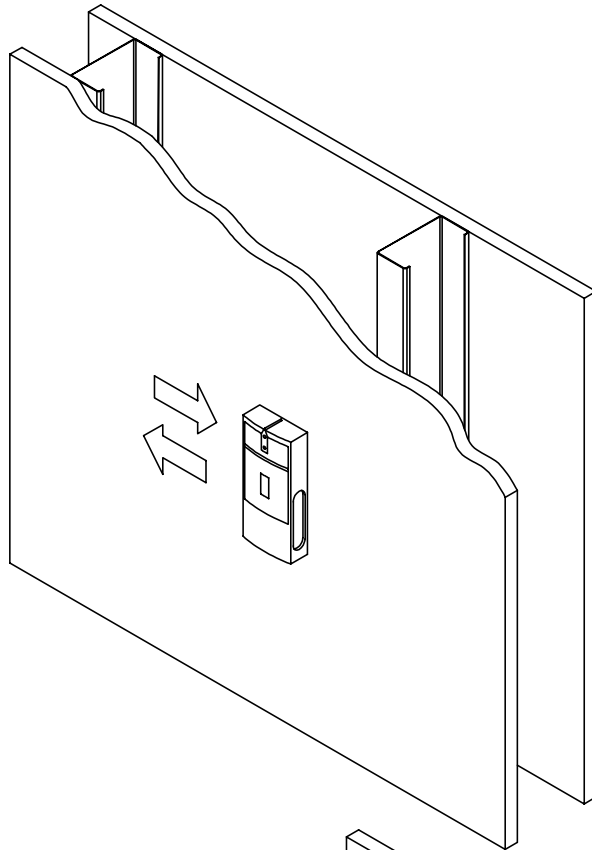
## PARTS LIST

MODEL #		PART #	QTY.	DESCRIPTION
OP-WSP425	OP-WSP435			
		A	1	wall plate (black)
✓		024-1033		
	✓	024-1035		
		024-1037		
✓	✓	B	4	1/4-20 x 1/2" phillips screw
✓	✓	C	4	1/4-20 x 2 1/2" phillips screw
✓	✓	D	4	toggler
✓	✓	E	8	washer
✓	✓	F	4	#14 x 2.5" (6 mm x 65 mm) washer head wood screw

\* Refers to maximum weight of TV or max. combined weight of TV, VCR and VCR Bracket.

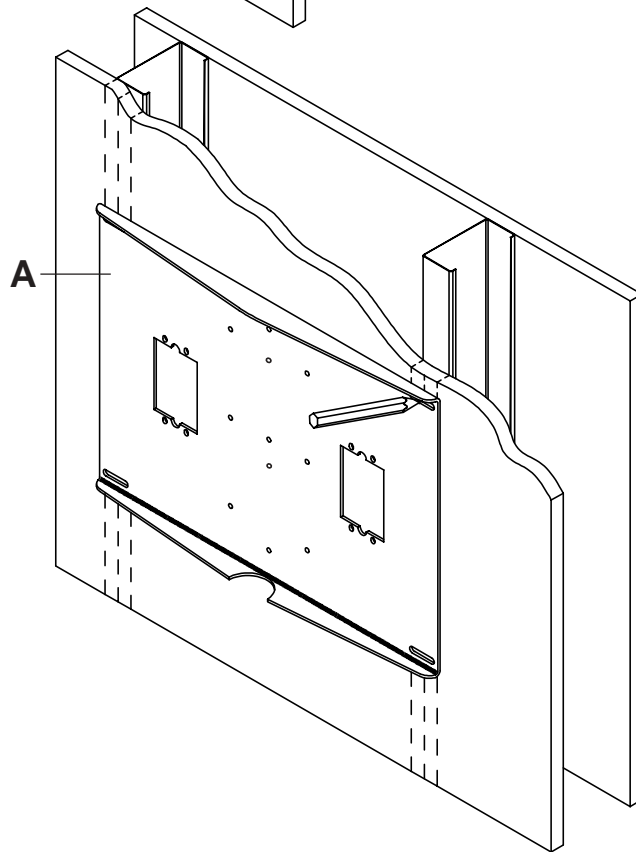


- 1** Use a stud finder to locate stud centers.



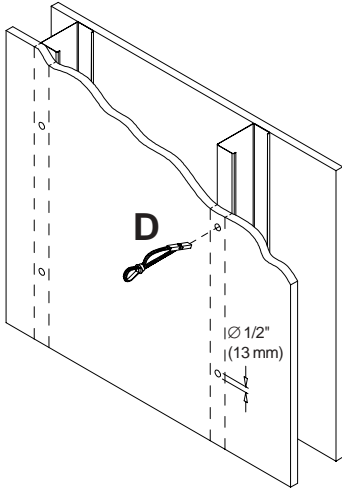
- 2** Use wall plate (A) as a template to mark slot centers on stud centers.

**Note: Model OP- WSP 435 can be mounted on both 20" or 16" centers.  
Model OP-WSP 445 can be mounted on 24", 20", or 16" centers.**



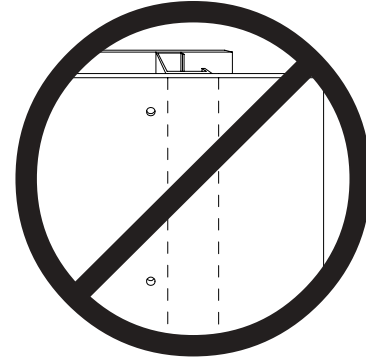
Steps 3 and 4 cover attachment to a metal stud wall. For attachment to a wood stud wall skip to step 5, page 4.

- 3** FOR METAL STUD WALLS ONLY: Drill four 1/2" (13 mm) dia. holes through drywall and studs. Insert togglers (D) as shown below...

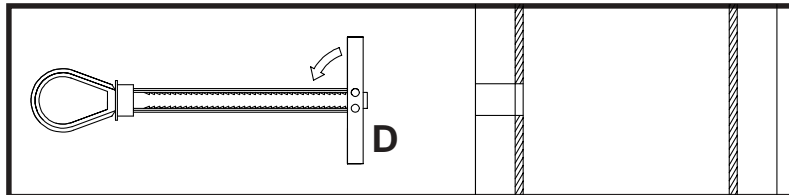


## ⚠ WARNING

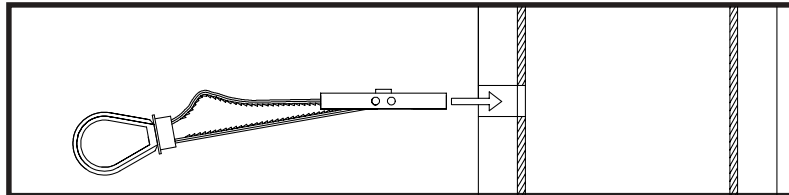
- Make sure that mounting screws are anchored into the center of the studs. The use of an "edge to edge" stud finder is highly recommended.



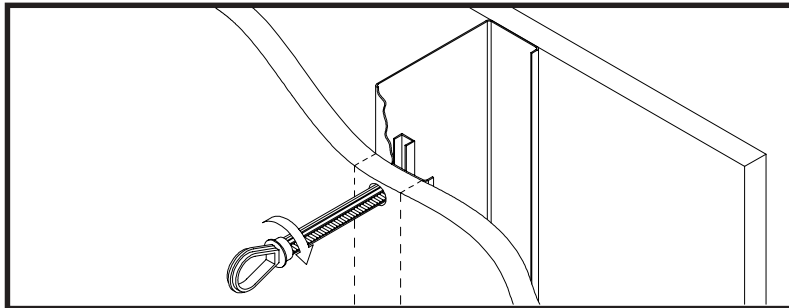
- 3-1** Pivot end of toggler.



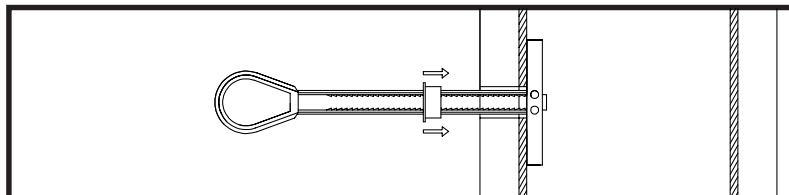
- 3-2** Push into hole.



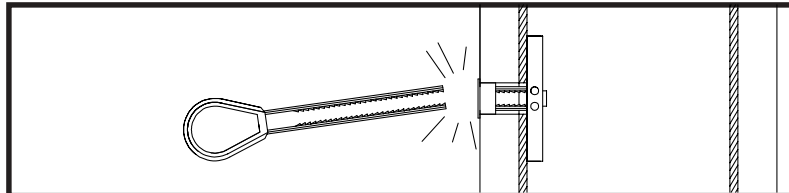
- 3-3** Rotate toggler clockwise to wedge it against inside walls of metal stud.



- 3-4** Slide plastic cap forward while pulling back firmly on ring.



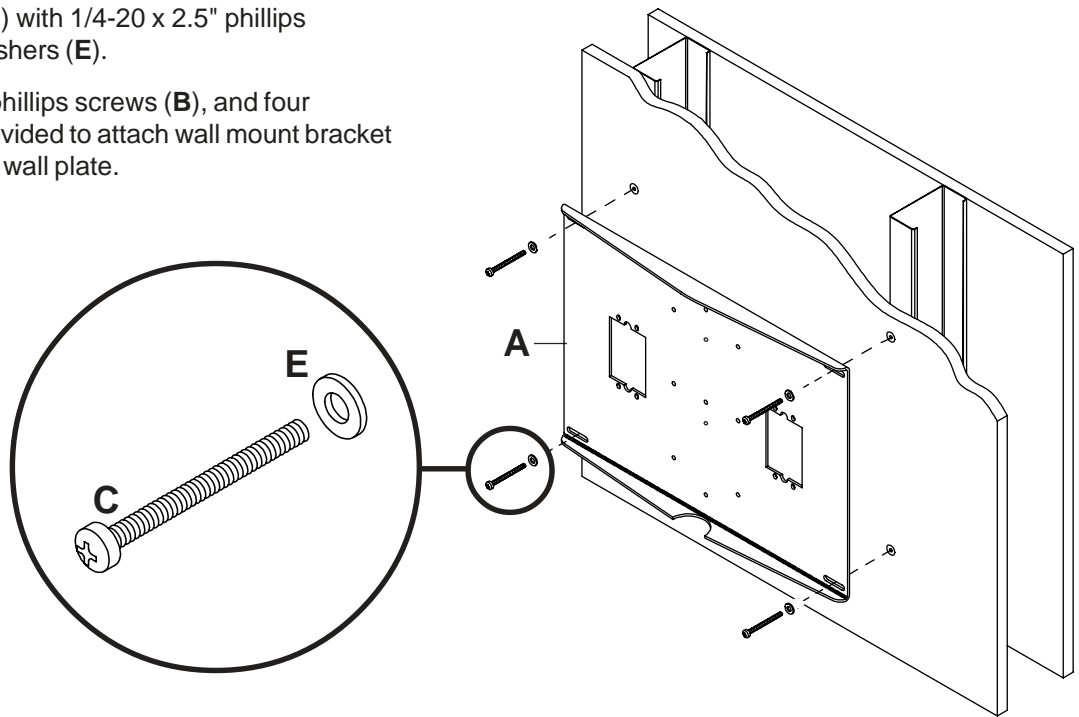
- 3-5** Break off excess.



4

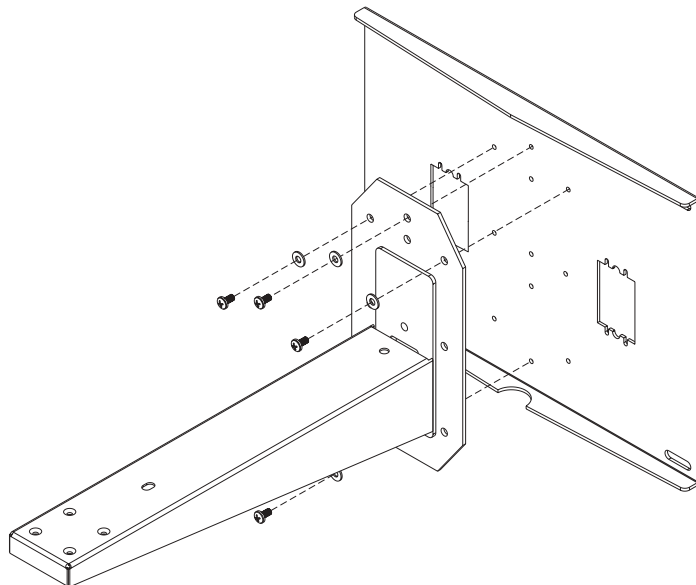
Attach wall plate (A) with 1/4-20 x 2.5" phillips screws (C), and washers (E).

Four 1/4-20 x 1/2" phillips screws (B), and four washers (E) are provided to attach wall mount bracket (sold separately) to wall plate.

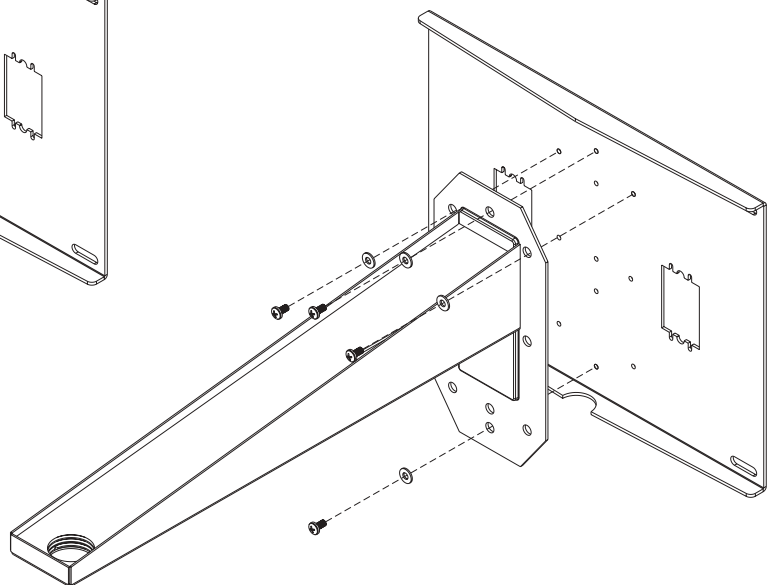


5

Four 1/4-20 x 1/2" phillips screws (B) and four washers (E) are provided to attach mount (sold separately) to wall plate as shown in examples below. (Not all mounts shown.)



OP-LWB MODELS



OP-JMW MODELS