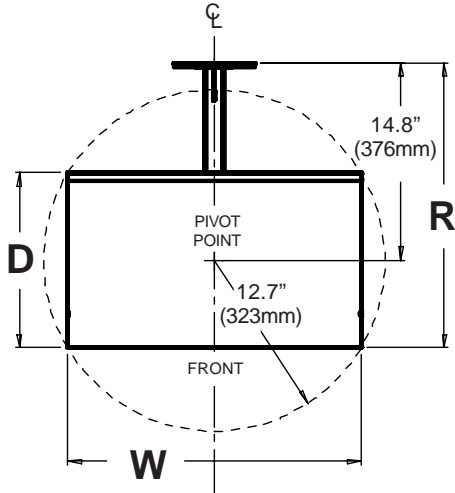
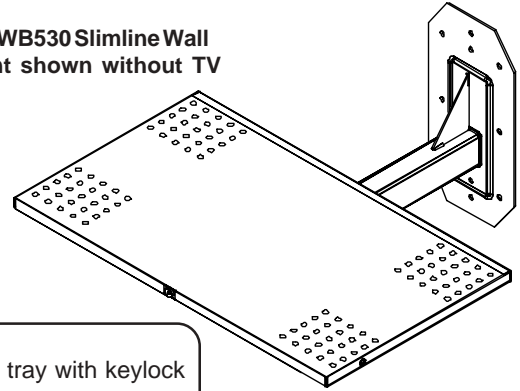
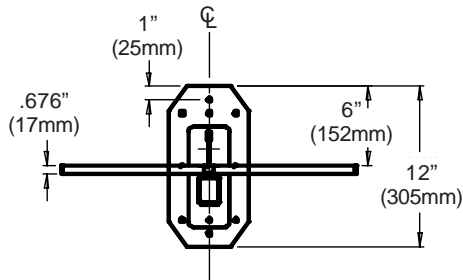


Slimline Wall Mount models **OP-LWB530**, and **OP-LWB530T** are compatible with most 19" and 20" TVs and monitors. Model OP-LWB530 has a 0° tilt support tray. Model OP-LWB530T has a fixed 10° tilt support tray.

OP-LWB530 Slimline Wall Mount shown without TV

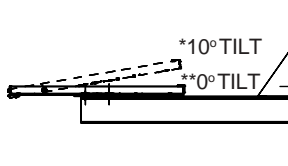


TOP VIEW



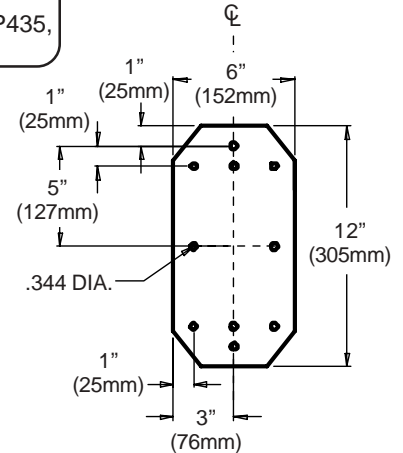
FRONT VIEW

- Features:**
- Two-piece support tray with keylock
 - 360° Swivel Action
 - Black fused epoxy finish
 - Concrete fasteners available (order accessory kit #OP-ACC204)
 - Concrete block fasteners available (order accessory kit #OP-ACC307)
 - Metal stud wall plate available (model #OP-WSP425, OP-WSP435, OP-WSP445)



SIDE VIEW

*Model OP-LWB530T
**Model OP-LWB530



WALL PLATE DETAIL (1.5X Scale)



Maximum Load Capacity: 96 lb (43.5 kg)

MODEL NUMBER	W	D	R	WEIGHT	SHIPPING WEIGHT
OP-LWB530,	22" (559mm)	13" (330mm)	20.5" (521mm)	21 lbs. (9.5 kg.)	22 lbs. (10 kg.)
OP-LWB530T				20 lbs (9.1 kg)	21 lbs (9.5 kg)

ARCHITECTS SPECIFICATIONS

The Slimline Wall Mount shall be a Peerless model _____ and shall be located where indicated on the plans. It shall be constructed of heavy gauge cold rolled steel with a flat or 10° fixed tilt and shall have a tray which swivels 360°. It shall include a key lock for security. The finish shall be scratch resistant Black Fused Epoxy. Assembly and installation shall be done according to instructions provided by the manufacturer.



Peerless Industries, Inc. 3215 W. North Ave. Melrose Park, IL 60160
708-865-8870 800-865-2112 Fax 708-865-2941
www.peerlessmounts.com

TECHNICAL DATA SHEET

Slimline Wall Mount for 19"- 20" TV's

Issued: 05-24-05 Sheet No. 029-9506-1