

TECHNICAL DATA SHEET - Jumbo 2000™ Wall Mount



MODELS: OP-JMW 2650H, OP-JMW 2660H, OP-JMW 2665H,
OP-JMW 2670H, OP-JMW 2675H



The Jumbo 2000™ Wall Mounts completely surround and trap the monitor in place allowing for safe tilt up to 30°. Quick connect assembly allows upper portion of mount to be set first, then lower bracket lifts into place for easier installation.

Features:

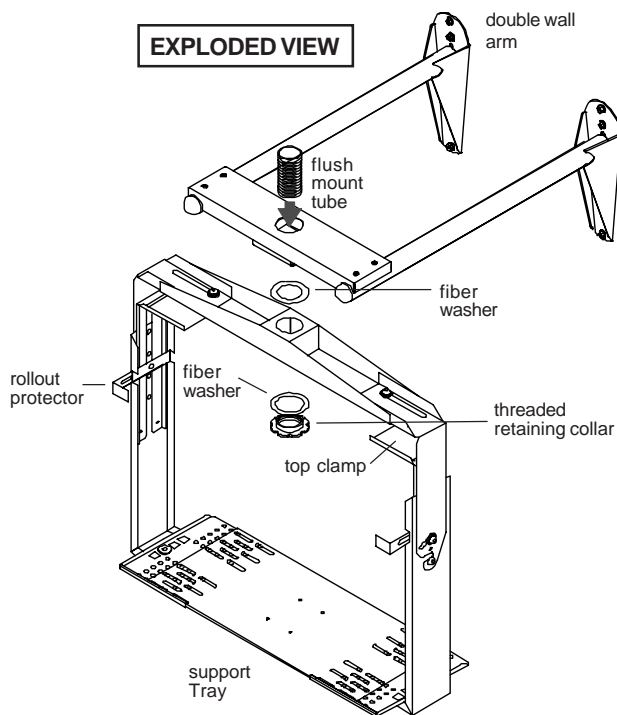
- 0° to 30° adjustable tilt, 360° swivel
- Top and front roll out protection
- Height and width adjustable to exact dimensions of monitor
- Available for 25" to 42" TV's or monitors (check dimensions for compatibility)
- VCR mount can be added after installation
- Double Stud Wall Arm
- Hardware for mounting to wood stud wall
- Heavy gage steel construction
- Scratch resistant black fused epoxy finish

Accessories:

- Security fasteners model #ACC 502
- Safety belt model #ACC 666
- VCR mounts
- Concrete fasteners model #OP-ACC 204
- Concrete block fasteners model #OP-ACC 307
- Bumper guards model #ACC 103
- Metal stud wall plates model #OP-WSP450, OP-WSP460, OP-WSP470
- Video conferencing shelf model #ACC 308
- Power Buddy Hoist model #JMB 100
- Oversized roll out protectors model #ACC 016

Dimensions:

For dimensions and weights, see page 2.



ARCHITECTS SPECIFICATIONS:

The Television Mounting Bracket shall be a Peerless model _____ and shall be mounted where indicated on the plans. It shall feature adjustable height and width with top clamps and rollout protectors. It shall be constructed primarily of 14 gauge cold rolled steel and finished in black fused epoxy. It shall be U.L. Listed. Assembly and installation shall be done according to the instructions provided by the manufacturer.

TECHNICAL DATA SHEET

MODELS: OP-JMW 2650H, OP-JMW 2660H, OP-JMW 2665H, OP-JMW 2670H, OP-JMW 2675H

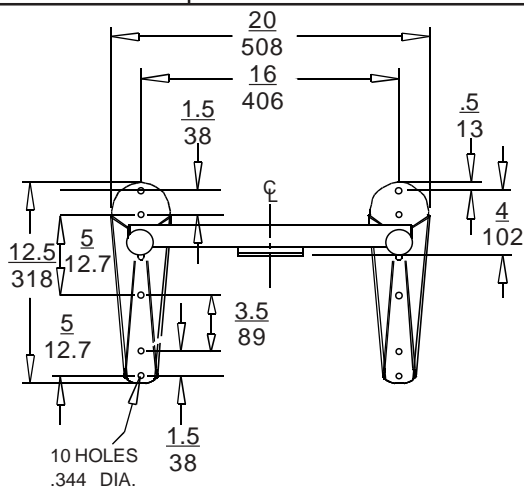
Shipping Carton dimensions:

L= 36.75(934) W= 15(381) H= 9.875(251)

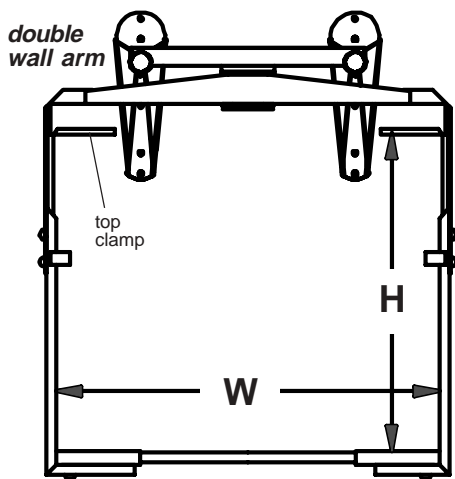
Maximum Load Capacity: 153 lb (69.4 kg)

All Dimensions: $\frac{\text{inch}}{\text{mm}}$

JUMBO WALL MOUNT KIT - SPECIFICATIONS						
Product Weight	Shipping Weight	Model Number	BRACKET INSIDE DIMENSIONS		Tray Depth L	*1" INCREMENTS Range (A)
			Width (W)	Height (H)		
38 lb (17.2 kg)	44 lb (20 kg)	OP-JMW 2650H	24" - 31" (610 mm) (787 mm)	19.2" - 25.4" (361 mm) (518 mm)	10" (254 mm)	28" - 31" (711 mm) (787 mm)
51 lb (23.1 kg)	55.5 lb (25.2 kg)	OP-JMW 2660H	29" - 36" (737 mm) (914 mm)	24.2" - 30.4" (614 mm) (772 mm)	14" (356 mm)	28" - 34" (711 mm) (864 mm)
50 lb (22.7 kg)	52.5 lb (23.8 kg)	OP-JMW 2665H	29" - 36" (737 mm) (914 mm)	19.2" - 25.4" (488 mm) (645 mm)	14" (356 mm)	28" - 34" (711 mm) (864 mm)
53.5 lb (24.3 kg)	59 lb (26.8 kg)	OP-JMW 2670H	34" - 41.25" (864 mm) (1048 mm)	29.2" - 35.4" (742 mm) (900 mm)	14" (356 mm)	28" - 34" (711 mm) (864 mm)
51 lb (23.2 kg)	58 lb (29.5 kg)	OP-JMW 2675H	34" - 41.25" (864 mm) (1048 mm)	24.2" - 30.4" (615 mm) (772 mm)	14" (356 mm)	28" - 34" (711 mm) (864 mm)



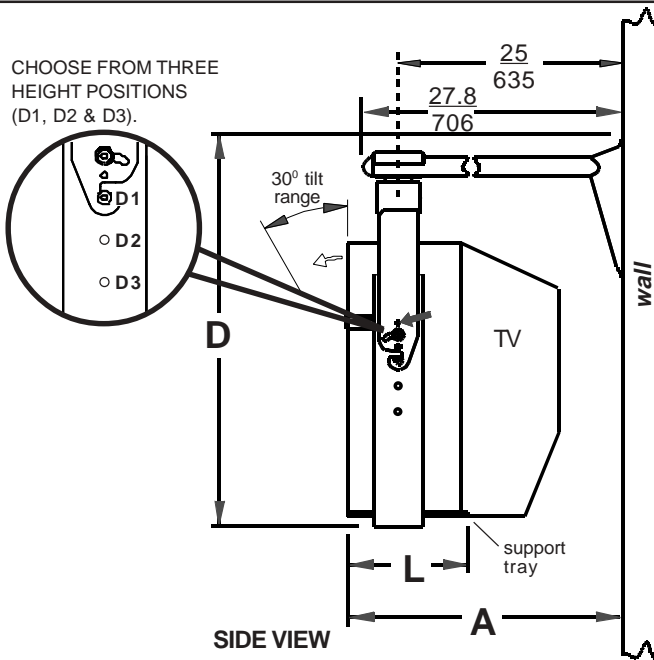
**FRONT VIEW
DOUBLE WALL ARM**



**FRONT VIEW
JUMBO MOUNT WALL KIT**

*1" INCREMENTS DEPENDING ON CENTER OF GRAVITY

Model Number	Height Range (H)	Overall Drop (D)
OP-JMW 2650H (D3)	19.2 - 21.2 (488-538)	32.0 (813)
OP-JMW 2665H (D2)	21.3 - 23.3 (541-592)	34.0 (864)
(D1)	23.4 - 25.4 (594-645)	36.0 (914)
OP-JMW 2660H (D3)	24.2 - 26.2 (615-665)	37.25 (946)
OP-JMW 2675H (D2)	26.3 - 28.3 (668-719)	39.25 (997)
(D1)	28.4 - 30.4 (721-772)	41.25 (1048)
OP-JMW 2670H (D3)	29.2 - 31.2 (742-792)	42.5 (1080)
(D2)	31.3 - 33.3 (795-846)	44.5 (1130)
(D1)	33.4 - 34.4 (848-874)	46.5 (1181)



SIDE VIEW

Peerless Industries, Inc.
 3215 W. North Ave. Melrose Park, IL 60160
 708-865-8870 800-865-2112 Fax 708-865-2941
www.peerlessindustries.com

ISSUED: 05-24-05 SHEET NO:128-9576-1

©2005 Peerless Industries, Inc. All rights reserved.
 Peerless and Jumbo are registered trademarks of Peerless Industries, Inc.
 All other brand and product names are trademarks or registered trademarks of their respective owners.