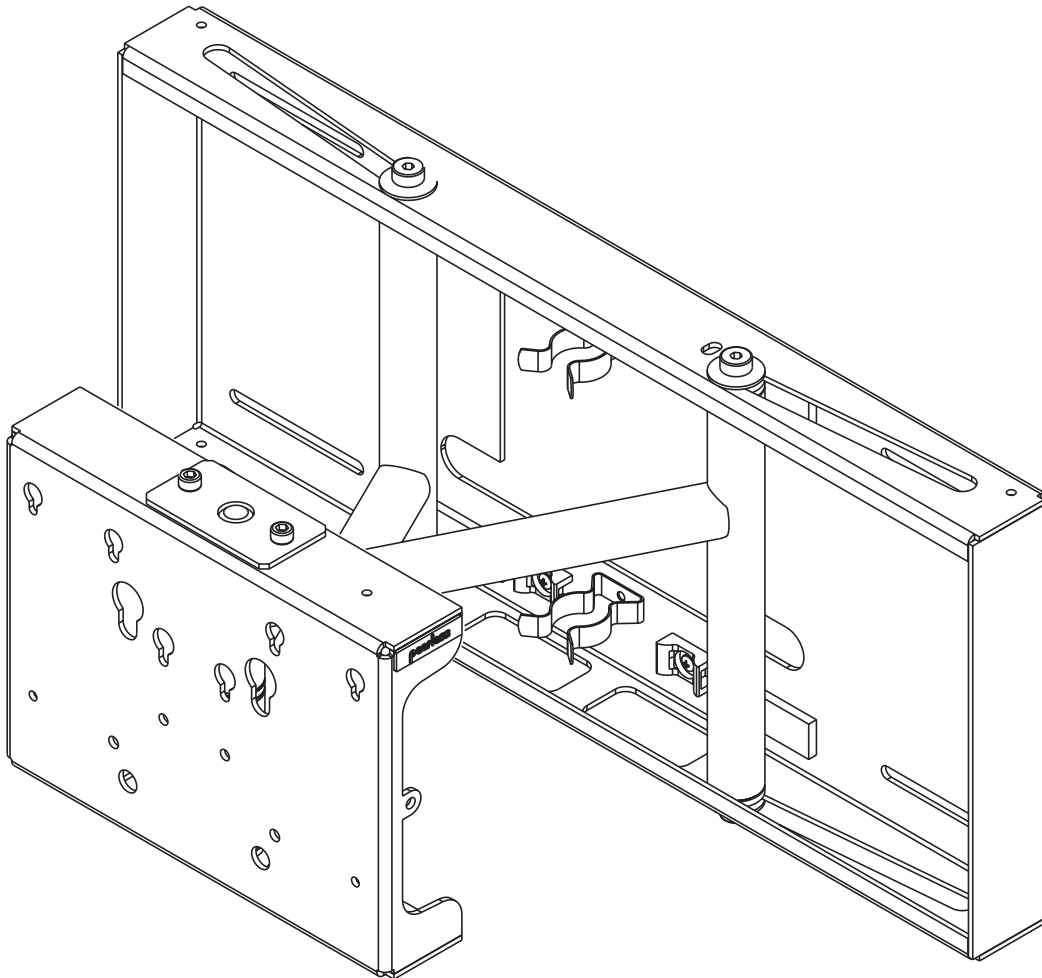


Installation and Assembly: Flat Panel Pull-out Swivel Wall Mount

Models: SP 850, SP 850P, SP 850-S, SP 850P-S



Max Load Capacity: 150 lb (68 kg)

Note: Read entire instruction sheet before you start installation and assembly.

⚠ WARNING

- Do not begin to install your Peerless product until you have read and understood the instructions and warnings contained in this Installation Sheet. If you have any questions regarding any of the instructions or warnings, please call Peerless customer care at 1-800-729-0307.
- This product should only be installed by a qualified professional.
- Make sure that the supporting surface will safely support the combined load of the equipment and all attached hardware and components.
- Never exceed the Maximum UL Load Capacity of 150 lb (68 kg).
- If mounting to wood wall studs, make sure that mounting screws are anchored into the center of the studs. Use of an "edge to edge" stud finder is highly recommended.
- Do not lift more weight than you can handle. Use additional man power or mechanical lifting equipment to safely handle placement of the screen.
- Tighten screws firmly, but do not overtighten. Overtightening can damage the items, greatly reducing their holding power.

Tools Needed for Assembly

- stud finder ("edge to edge" stud finder is recommended)
- 3/8" socket wrench (3/8" extended driver is recommended)
- phillips screwdriver
- drill
- 1/4" bit for concrete and cinder block wall
- 5/32" bit for wood stud wall
- level
- 6 mm allen wrench (if attaching to PLP models)
- scissors

Table of Contents

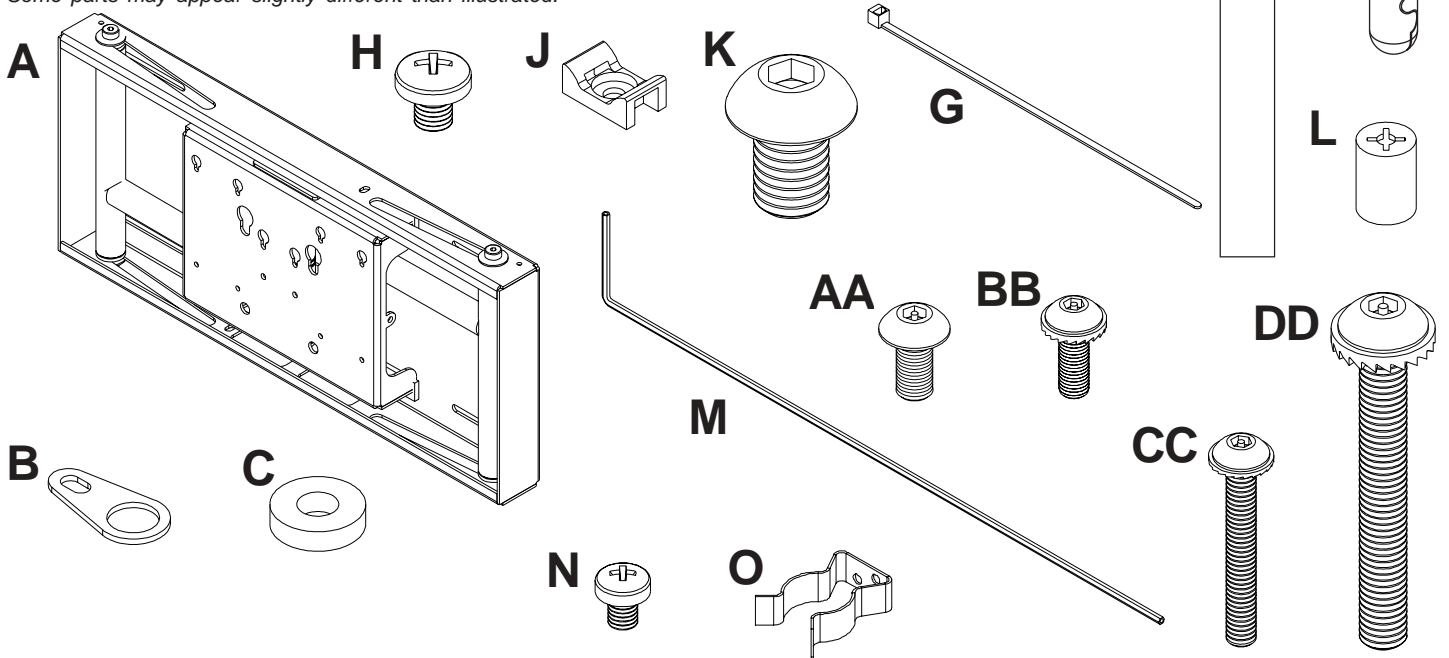
Parts List	3
Installation to Wood Stud Wall	4
Installation to Solid Concrete and Cinder Block	5
Mounting Flat Panel Screen with VESA hole pattern	7
Mounting Flat Panel Screen with Peerless LC model adapter plate	8
Mounting Flat Panel Screen with Peerless PLP model adapter plate	8
Screen Compatibility Chart	10

For customer care call (800) 729-0307 or (708) 865-8870.

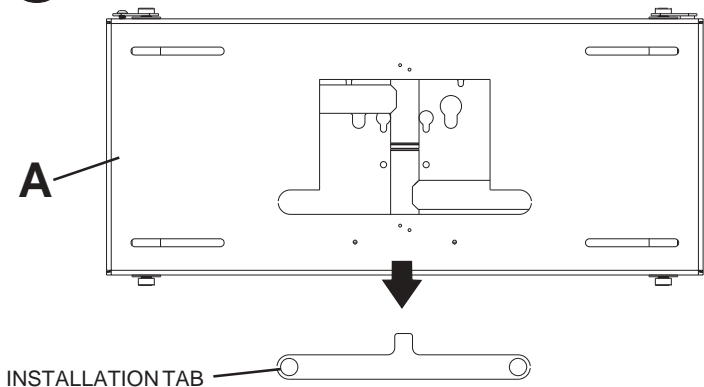
Parts List

Description	Qty.	SP850 Part #	SP850P Part #	SP850-S Part #	SP850P-S Part #
A wall mount assembly	1	200-0872-1	200-0872-1	200-0979	200-0979
B locking tab	1	200-1871	200-1871	200-4871	200-4871
C .219 ID x .5 OD x .125H spacer	1	540-1032	540-1032	540-1032	540-1032
D #14 x 2.5" hex head wood screw	4	5S1-015-C03	5S1-015-C03	5S1-015-C03	5S1-015-C03
E Alligator® anchor	4	590-0097	590-0097	590-0097	590-0097
F 18" polyester mesh sleeve	2	600-1014	600-1014	600-1014	600-1014
G cable tie	4	560-9711	560-9711	560-9711	560-9711
H M4 x 5 mm phillips screw	2	520-1307	520-1307	520-1307	520-1307
I bumper strip	1	570-1030	570-1030	570-1030	570-1030
J plastic cable mount	2	590-1199	590-1199	590-1199	590-1199
K M10 x 15 mm socket head screw	4	520-9262	520-9262	520-9262	520-9262
L .198 x .313 x .437H retaining spacer	4	590-5005	590-5005	590-5005	590-5005
M 4 mm security allen wrench	1	560-1146	n/a	560-1146	n/a
N M3 x 4 mm phillips screw	4	520-1306	520-1306	520-1306	520-1306
O spring clip	2	560-9725	560-9725	560-9725	560-9725
		Security	Phillips (not shown)	Security	Phillips (not shown)
AA M5 x 10 mm screw	5	520-1063	520-1233	520-1063	520-1233
BB M4 x 12 mm screw	4	510-1079	504-9013	510-1079	504-9013
CC M4 x 20 mm screw	4	510-1061	504-9020	510-1061	504-9020
DD M5 x 40 mm screw	1	510-1001	520-1199	510-1001	520-1199

Some parts may appear slightly different than illustrated.



1 Snap installation tab off of wall mount assembly (A).



Installation to Wood Stud Wall

⚠ WARNING

- Make sure that the supporting surface will safely support the combined load of the equipment and all attached hardware and components.

2 Using a stud finder, locate the edges of the wood studs used in mounting this product. Use of an edge-to-edge stud finder is highly recommended. Based on its edges and using a level, draw a vertical line down the center of each stud. Mark a point (**point 1**) on the right stud centerline where upper right slot will be located. Using a level, mark a point (**point 2**) on the left stud centerline level with point 1 as shown in figure 1.1. Drill $5/32$ " diameter holes $2-1/2$ " deep through studs at the two points. Loosely fasten wall mount assembly (**A**) to wall using two #14 x $2-1/2$ " wood screws (**D**) as shown in figure 1.2. Level, hold, and then tighten screws.

Mark two more points for bottom slots on the right and left stud centerlines. Drill $5/32$ " diameter holes $2-1/2$ " deep through studs at the two points. Using two #14 x $2-1/2$ " wood screws, fasten bottom of wall mount assembly to wall as shown in figure 1.3.

Skip to step 3 on page 6.

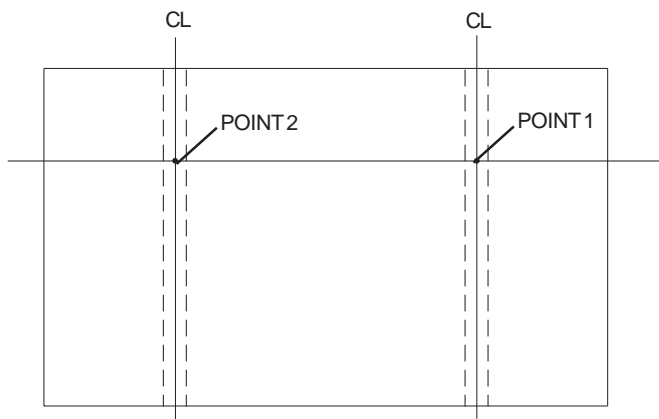


fig 1.1

CL = stud centerline

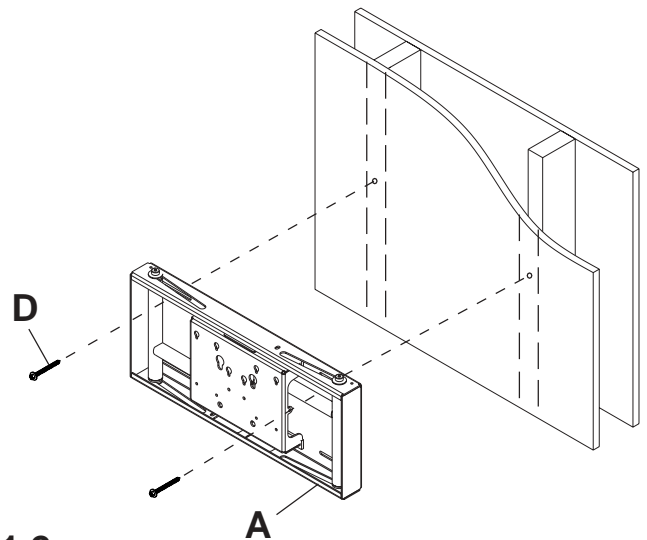


fig 1.2

⚠ WARNING

- Tighten wood screws so that wall plate is firmly attached, but do not overtighten. Overtightening can damage the screws, greatly reducing their holding power.
- Never tighten in excess of 80 in. • lb (9 N.M.).
- Make sure that mounting screws are anchored into the center of the stud. The use of an "edge to edge" stud finder is highly recommended.

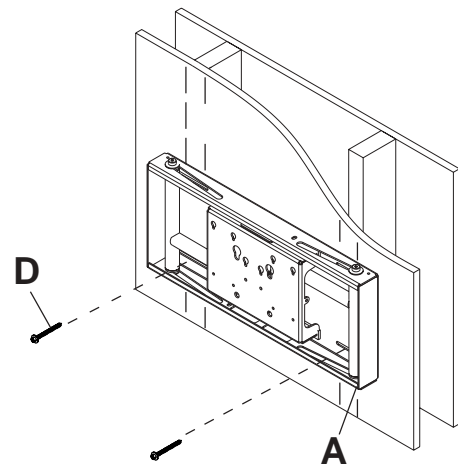


fig 1.3

Installation to Solid Concrete and Cinder Block Wall

⚠ WARNING

- When installing Peerless wall mounts on cinder block, verify that you have a minimum of 1-3/8" of actual concrete thickness in the hole to be used for the concrete anchors. Do not drill into mortar joints! Be sure to mount in a solid part of the block, generally 1" minimum from the side of the block. Cinder block must meet ASTM C-90 specifications. It is suggested that a standard electric drill on slow setting is used to drill the hole instead of a hammer drill to avoid breaking out the back of the hole when entering a void or cavity.
- Concrete must be 2000 psi density minimum. Lighter density concrete may not hold concrete anchor.
- Make sure that the supporting surface will safely support the combined load of the equipment and all attached hardware and components.

2 Position wall mount assembly (A) at desired position on wall. Use wall mount assembly, making sure that it is level, as a template to mark holes. Drill four 1/4" (6 mm) dia. holes to a minimum depth of 2-1/2" (64 mm). Concrete must be 2000 psi density minimum. Insert anchors (E) in holes flush with wall as shown in figure 1.4. Place wall mount assembly over anchors and secure with #14 x 2-1/2" (6 mm x 65 mm) wood screws (D) as shown in figure 1.5. Make sure wall plate is level and tighten all fasteners.

⚠ WARNING

- Tighten wood screws firmly, but do not overtighten. Overtightening can damage the screws, greatly reducing their holding power.
- Never tighten in excess of 80 in • lb (9 N.M.).

⚠ WARNING

- Concrete anchors are **not** intended for attachment to concrete wall covered with a layer of plaster, drywall, or other finishing material as shown below. If mounting to concrete wall covered with plaster/drywall is unavoidable, plaster/drywall (up to 5/8" thick) must be counterbored as shown below. Be sure concrete anchors do not pull away from concrete when tightening screws. If plaster/drywall is thicker than 5/8", custom fasteners must be supplied by installer.

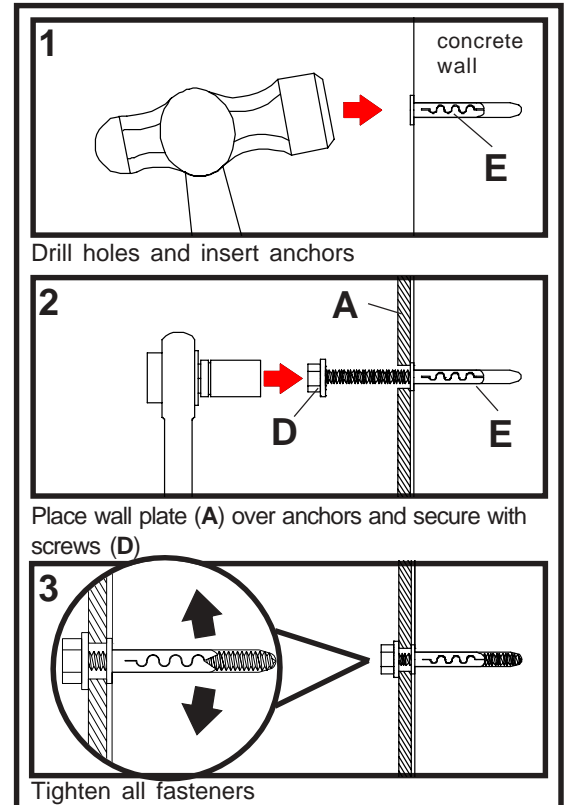
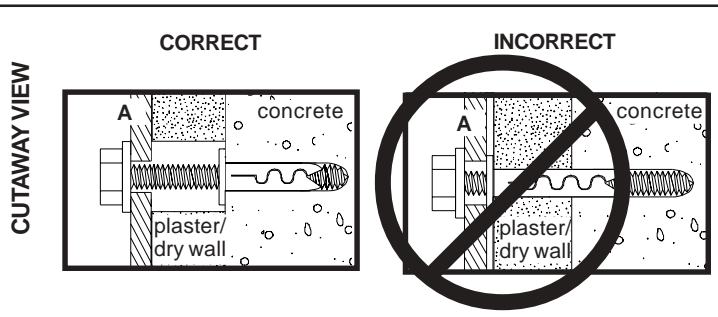


fig 1.4

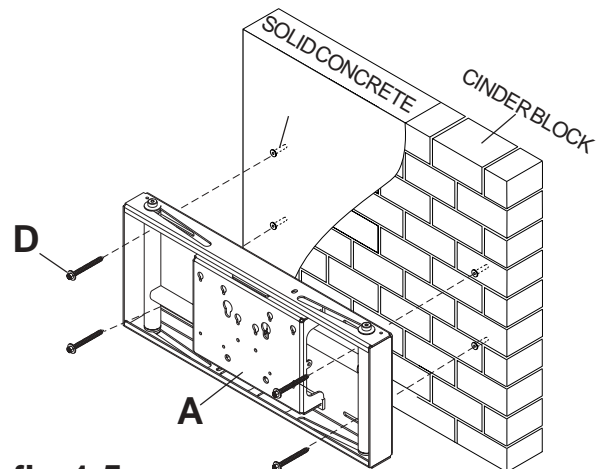
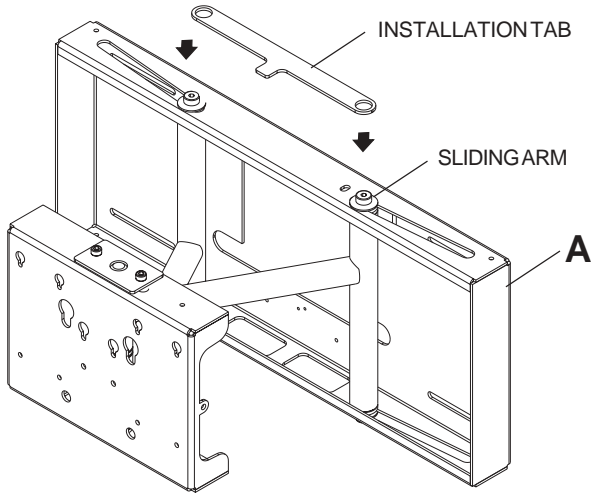
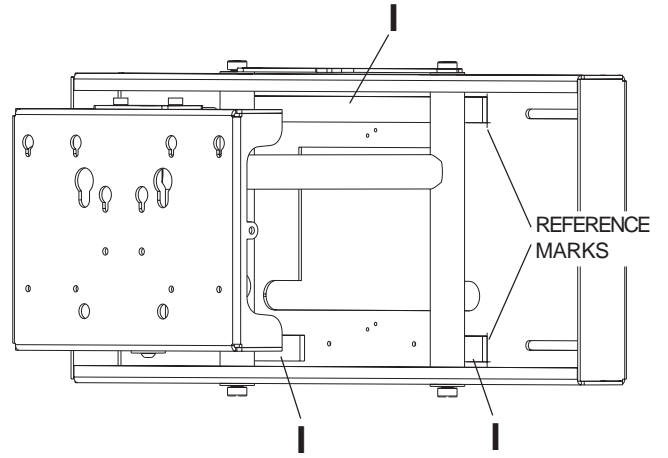


fig 1.5

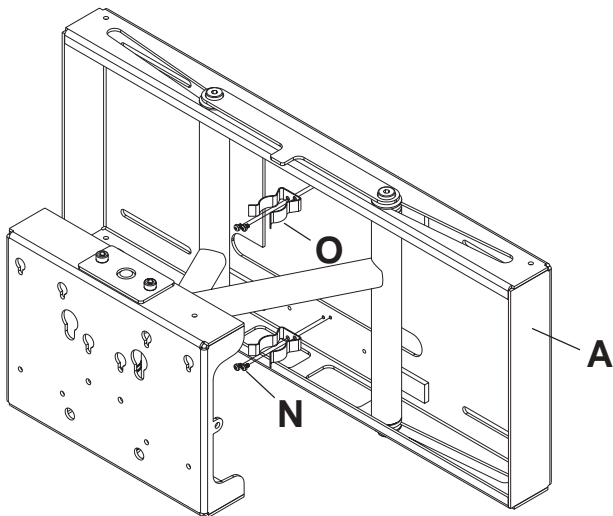
- 3 Place installation tab over sliding arms of wall mount assembly (A) to lock them in place.



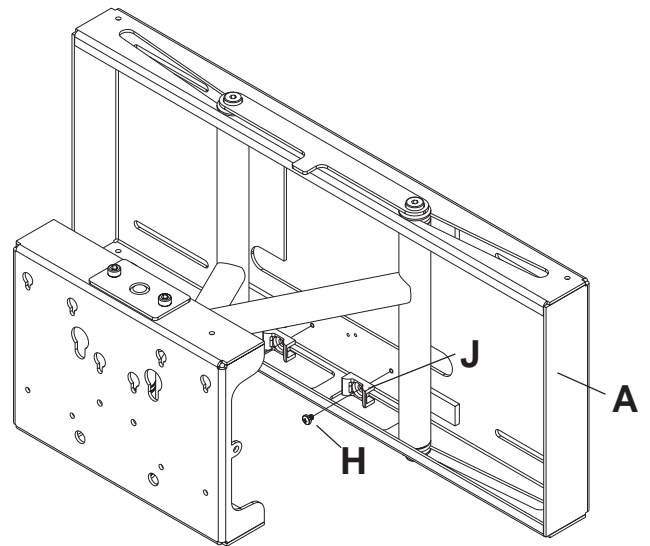
- 4 **Optional:** Using scissors, cut bumper strip (I) into two 2" pieces and one 10" piece. Adhere bumper strip pieces to wall mount assembly (A) where indicated by reference marks.



- 5 **Optional:** Attach two spring clips (O) to wall mount assembly (A) using four M3 x 4 mm phillips screws (N).



- 6 **Optional:** Attach two cable mounts (J) to wall mount assembly (A) using two M4 x 5 mm phillips screws (H).



FOR INSTALLING TO VESA 100 MM, 200 MM HOLE PATTERN

⚠ WARNING

- If screws don't get three complete turns in the screen inserts or if screws bottom out and adapter plate is still not tightly secured, damage may occur to screen or product may fail. Contact customer care for correct hardware to use.

- 7** Find the VESA® hole pattern as shown in figures 7.1 and 7.2, and attach screen to mounting plate as specified below. Verify that all holes are properly aligned, and then tighten screws. If using security screws, tighten using security allen wrench (**M**).

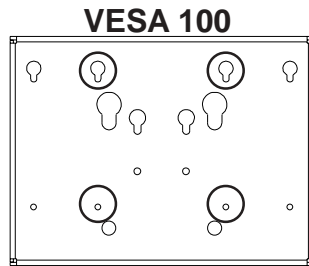


fig. 7.1

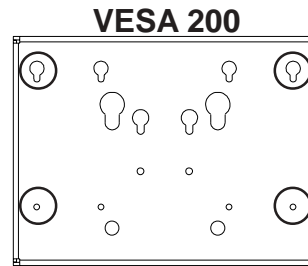


fig. 7.2

FOR VESA 100 MOUNTING PATTERN:

Thread two M4 x 12 mm screws (**BB**), leaving .25" exposed thread, into top holes on back of screen. Hook screen onto mounting plate, and attach using bottom two M4 x 12 mm screws as shown in figures 7.3 and 7.4. Tighten all four screws.

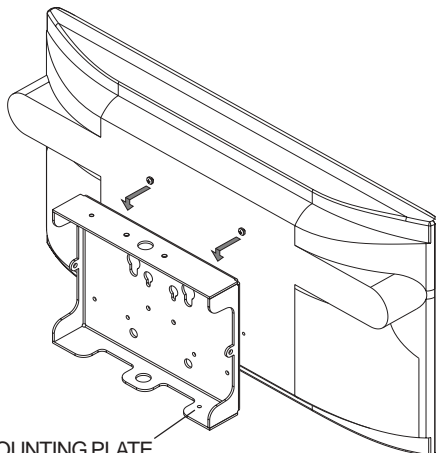
Note: If screw (**BB**) is too small to engage threaded inserts, attach mounting plate to back of screen using four M5 x 10 mm screws (**AA**).

FOR VESA 200 MOUNTING PATTERN:

Thread two M4 x 12 mm screws (**BB**), leaving .25" exposed thread, into top holes on back of screen. Hook screen onto mounting plate, and attach using two bottom M4 x 12 mm screws as shown in figures 7.3 and 7.4. Tighten all four screws.

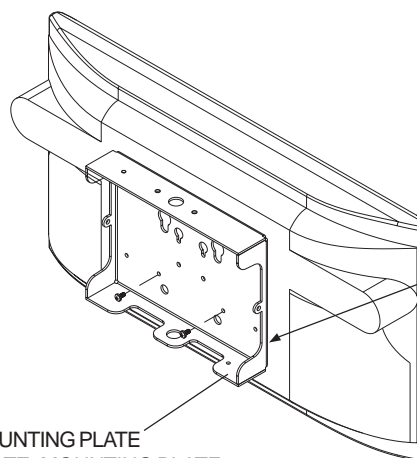
FOR SCREENS WITH VESA MOUNTING PATTERN IN A POCKET:

Thread two retaining spacers (**L**) onto two M4 x 20 mm screws (**CC**), leaving .25" exposed thread as shown in figure 7.5. Thread M4 x 20 mm screws with retaining spacers into top holes on back of screen. Hook screen onto mounting plate, and attach using bottom two M4 x 20 mm screws and retaining spacers as shown in figures 7.3 and 7.4. Tighten all four screws.



MOUNTING PLATE
(NOTE: MOUNTING PLATE SHOWN WITHOUT FULL WALL MOUNT ASSEMBLY FOR CLARITY)

fig. 7.3



MOUNTING PLATE
(NOTE: MOUNTING PLATE SHOWN WITHOUT FULL WALL MOUNT ASSEMBLY FOR CLARITY)

fig. 7.4

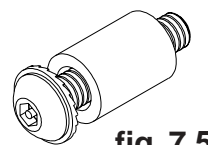


fig. 7.5

For screens with a hole pattern in a pocket, spacers (**L**) go between mounting plate and screen.

Note: Flat panel screen may appear slightly different than illustrated.

For screen compatibility please refer to the LCD or plasma interface list on our website www.peerlessmounts.com or call customer care for a screen specific adapter bracket (LC or PLP models).

FOR INSTALLING TO PEERLESS LC MODEL ADAPTER BRACKET

Note: Refer to LC model adapter bracket instruction sheet for attachment of adapter bracket to screen.

- 7 Thread two M5 x 10 mm screws (**AA**), leaving .25" exposed thread, into top holes on back of screen. Hook screen onto mounting plate, and attach using two bottom M5 x 10 mm screws as shown in figures 7.5 and 7.6. Tighten all four screws. If using security screws, tighten using security allen wrench (**M**).

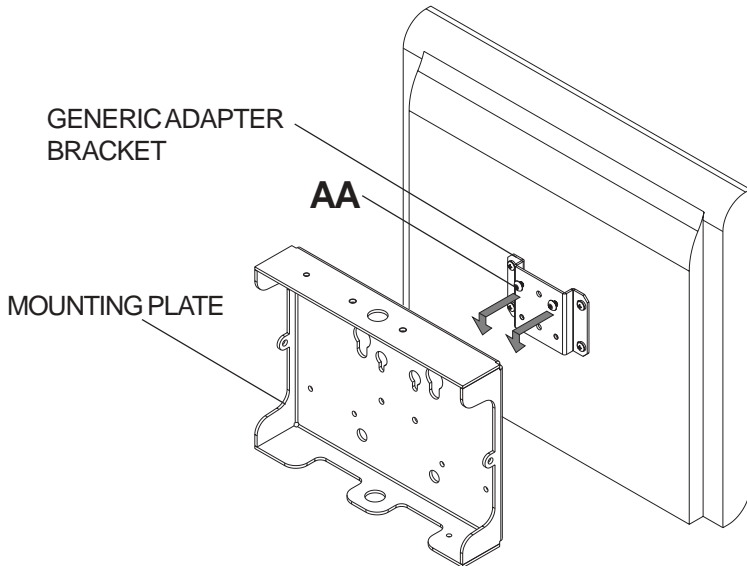


fig. 7.5

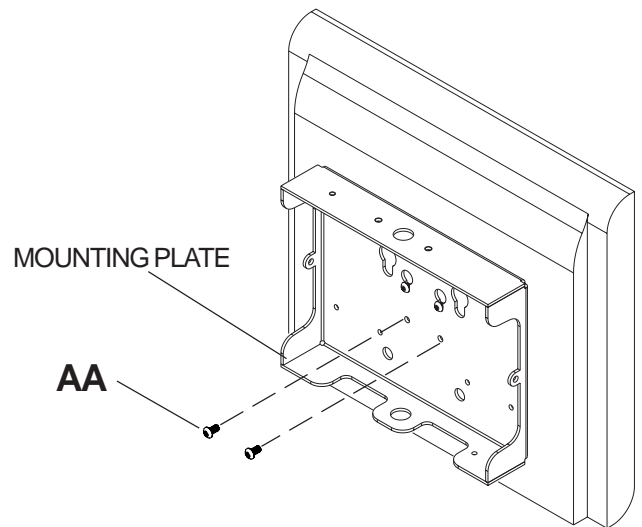


fig. 7.6

FOR INSTALLING TO PEERLESS PLP MODEL ADAPTER BRACKET

Note: Refer to PLP model adapter bracket instruction sheet for attachment of adapter bracket to screen.

- 7 Thread two M10 x 15 mm screws (**K**), leaving .25" exposed thread, into top holes on back of screen. Hook screen onto mounting plate, and attach using two bottom M10 x 15 mm screws as shown in figures 7.7 and 7.8. Tighten screws using 6 mm allen wrench (not included).

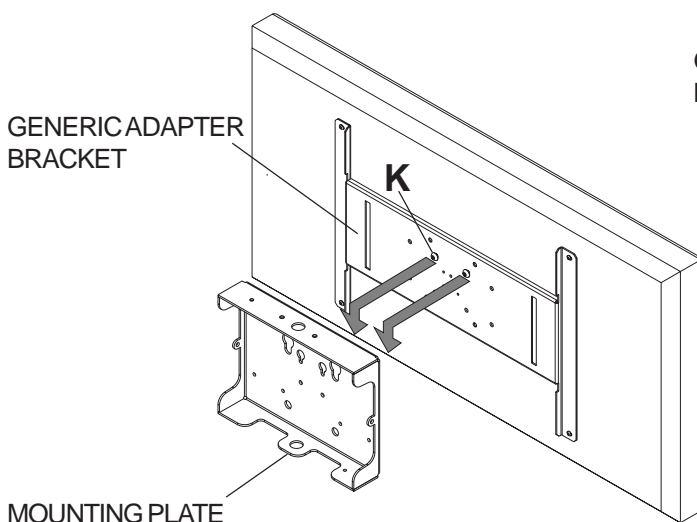


fig. 7.7

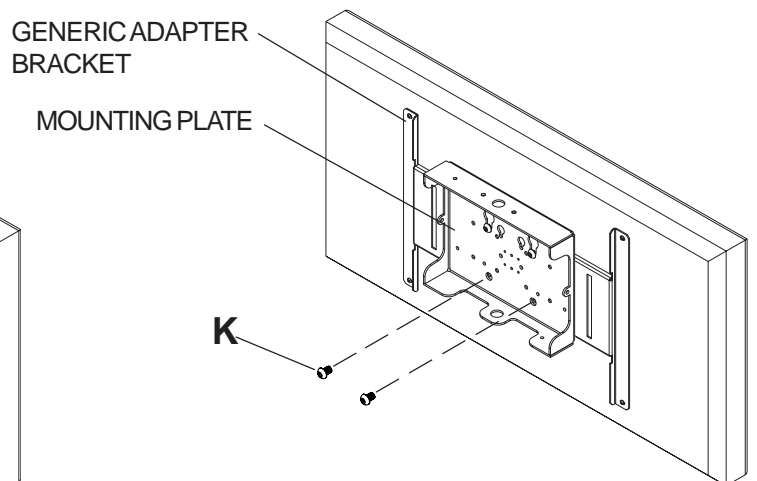
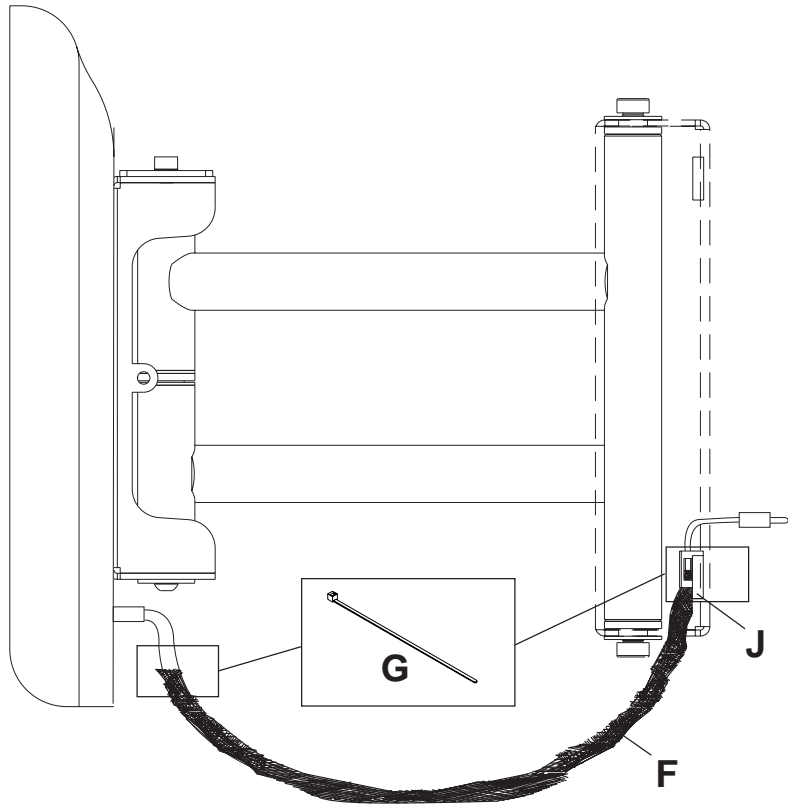


fig. 7.8

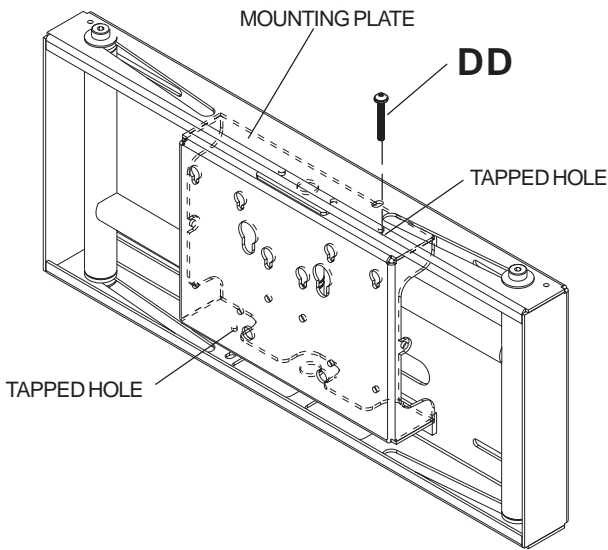
8 Slide one mesh sleeve (F) over each cable. Use cable ties (G) to tighten both ends of mesh sleeves to cables.

Note: If cable mounts (J) are used, loop cable ties through cable mounts and tighten cable and mesh sleeve to cable mounts.



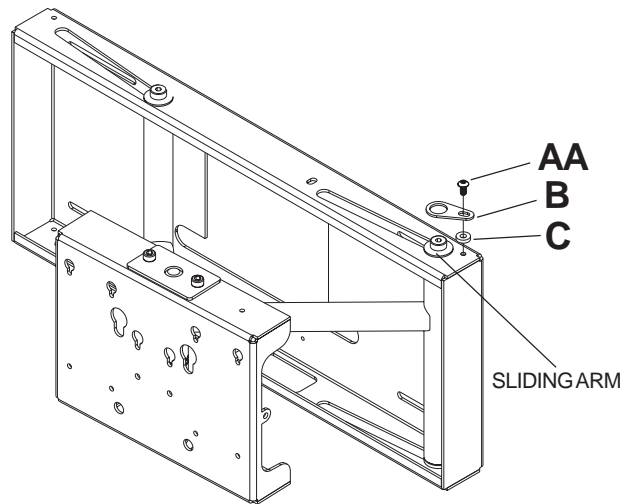
9 **Optional:** To lock mount in closed position, insert one M5 x 40 mm screw (DD) into tapped hole in either top or bottom of mounting plate.

Note: Screen not shown for clarity.



10 **Optional:** To lock one sliding arm of mount in place, slide locking tab (B) over top or bottom of sliding arm and attach to mount using one M5 x 10 mm screw (AA) and one spacer (C).

Note: Screen not shown for clarity.



Screen Compatibility Chart

Manufacturer	Screen Size	Manufacturer Model
Apex	27"	AVL-2776
Dell	26"	W2600
Dell	30"	W3000
Gateway	26"	GTW-L26M103
Gateway	30"	GTW-L30M103
Hewlett Packard	30"	LC3040N
Hyundai	26"	HQL260WR
Hyundai	32"	HQL320WR
LG	26"	26LX1D
LG	26"	RM-26LZ30
LG	26"	RU-26LZ30
LG	26"	Z26LZ5R
LG	27"	RU-27LZ50C
LG	30"	DU-30LZ30
LG	30"	L3000H
LG	30"	L3020T
LG	30"	RU-30LZ50C
LG	32"	RU-32LZ30C
LG	32"	RU-32LZ50C
Magnavox	26"	26MF605W/17
Magnavox	32"	32MF605W/17
MAXENT	27"	MX-27X1
MAXENT	30"	MX-30X1
MAXENT	32"	MX-32X3
Mitsubishi	30"	LT-3020
Mitsubishi	30"	LT-3040
Mitsubishi	30"	LT-3050
Mitsubishi	30"	MLM300
NEC-Mitsubishi	30"	LCD3000
NuVision	26"	NVX26HDU
NuVision	32"	NVX32HDU
Ovideon	27"	LC2700w
Ovideon	30"	LC3000W
Philips	26"	26MF605W/17
Philips	26"	26PF9966
Philips	30"	300WN5VB
Philips	32"	32MF605W/17
Philips	32"	32PF5320
PixelPro	27"	PX-27XP10
PixelPro	30"	PX-30XP10
PowerSpec	30"	LC30D
Pro View	32"	RX-326
Protron	32"	PLTV32C
Samsung	26"	LN-R2668W
Samsung	26"	LN-R267W
Samsung	26"	LN-R268W
Samsung	26"	LT-P266W
Sceptre	30"	X30SV- Naga III

Manufacturer	Screen Size	Manufacturer Model
Sharp	26"	IT-26M1U
Sharp	26"	LC-26D5U
Sharp	26"	LC-26D7U
Sharp	26"	LC-26GA4U
Sharp	26"	LC-26GD4U
Sharp	26"	LC-26GD6U
Sharp	26"	LD-26SH1U
Sharp	30"	LC-30HV2U
Sharp	30"	LC-30HV4U
Sharp	30"	LC-30HV6U
Sony	26"	KLVS26A10
Sony	26"	KLVS26A10
Syntax/Olevia	26"	LT26HV
Syntax/Olevia	26"	LT26HVX
Syntax/Olevia	27"	LT27HV
Syntax/Olevia	30"	LT30HV
Syntax/Olevia	32"	LT32HV
Syntax/Olevia	37"	LT37HV
Tatung	27"	V27CMTT
Tatung	30"	V30CMTT
Toshiba	26"	26HL83
Toshiba	26"	26HL84
Toshiba	32"	32HL84
Viewsonic	27"	N2750w
Westinghouse	27"	LTV-27w2
Westinghouse	27"	W32701
Westinghouse	30"	W33000
Westinghouse	30"	W33001
Westinghouse	32"	LTV-32w1
Westinghouse	37"	LVM-37w1
Winbook	32"	LC32
Zenith	27"	L27W46