

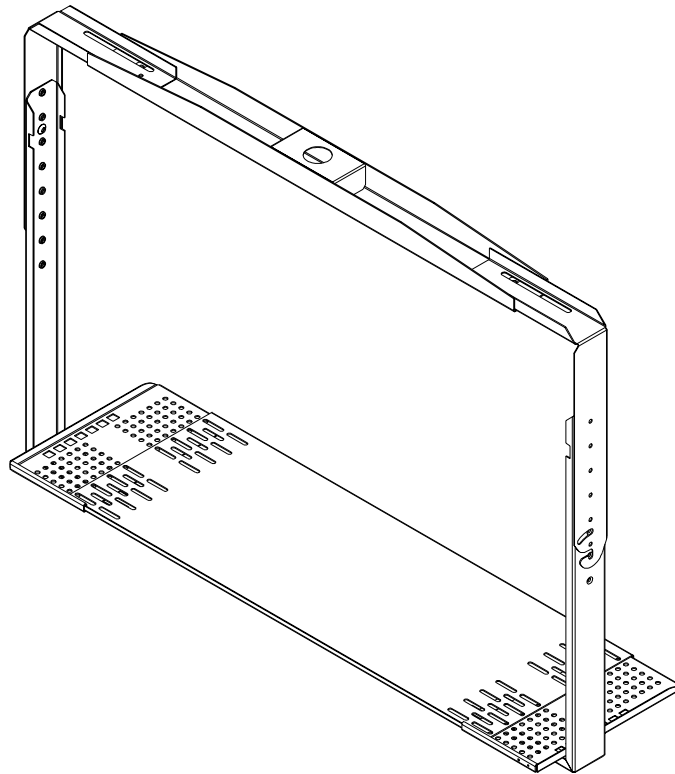
Installation and Assembly: DLP Mount

Model: DLP50

Note: Read entire instruction sheet before you start installation and assembly.

⚠ WARNING

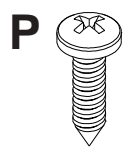
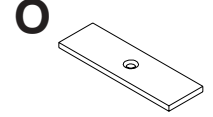
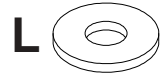
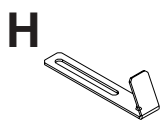
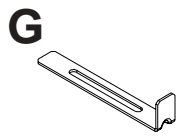
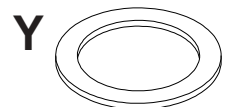
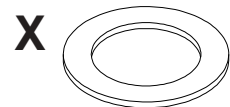
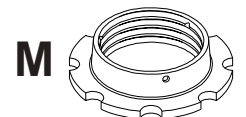
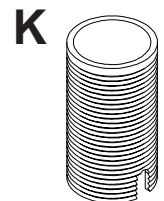
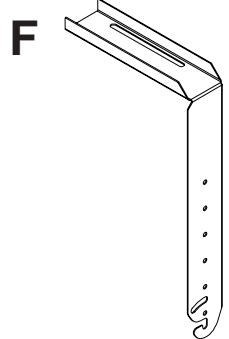
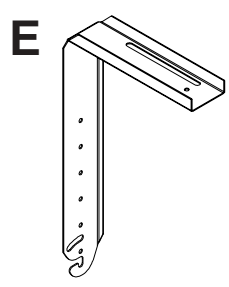
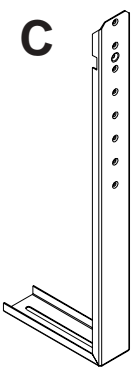
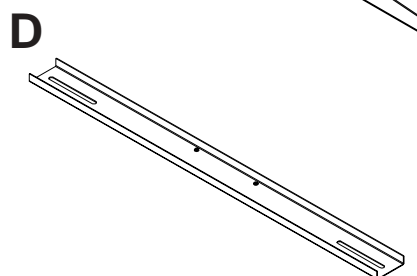
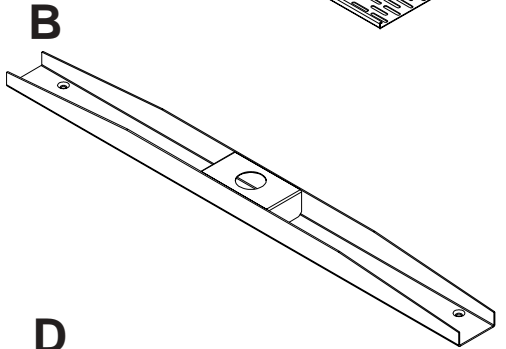
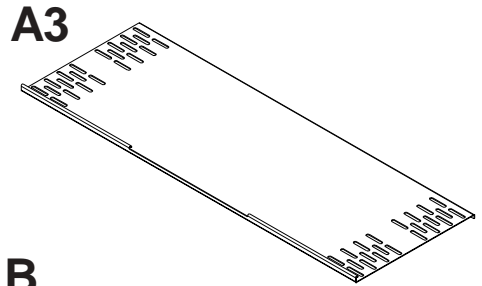
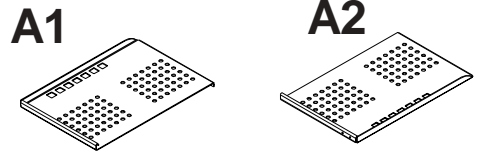
- Do not begin to install your Peerless product until you have read and understood the instructions and warnings contained in this Installation Sheet. If you have any questions regarding any of the instructions or warnings, please call Peerless customer care at 1-800-729-0307.
- This product should only be installed by a qualified professional.
- Make sure that the supporting surface will safely support the combined load of the equipment and all attached hardware and components.
- Never exceed the Maximum Load Capacity of 125 lb (56.7 kg).
- Always use an assistant or mechanical lifting equipment to safely lift and position equipment.
- Tighten screws firmly, but do not overtighten. Overtightening can damage the items, greatly reducing their holding power.



Max Load Capacity: 125 lb (56.7 kg)

Parts List

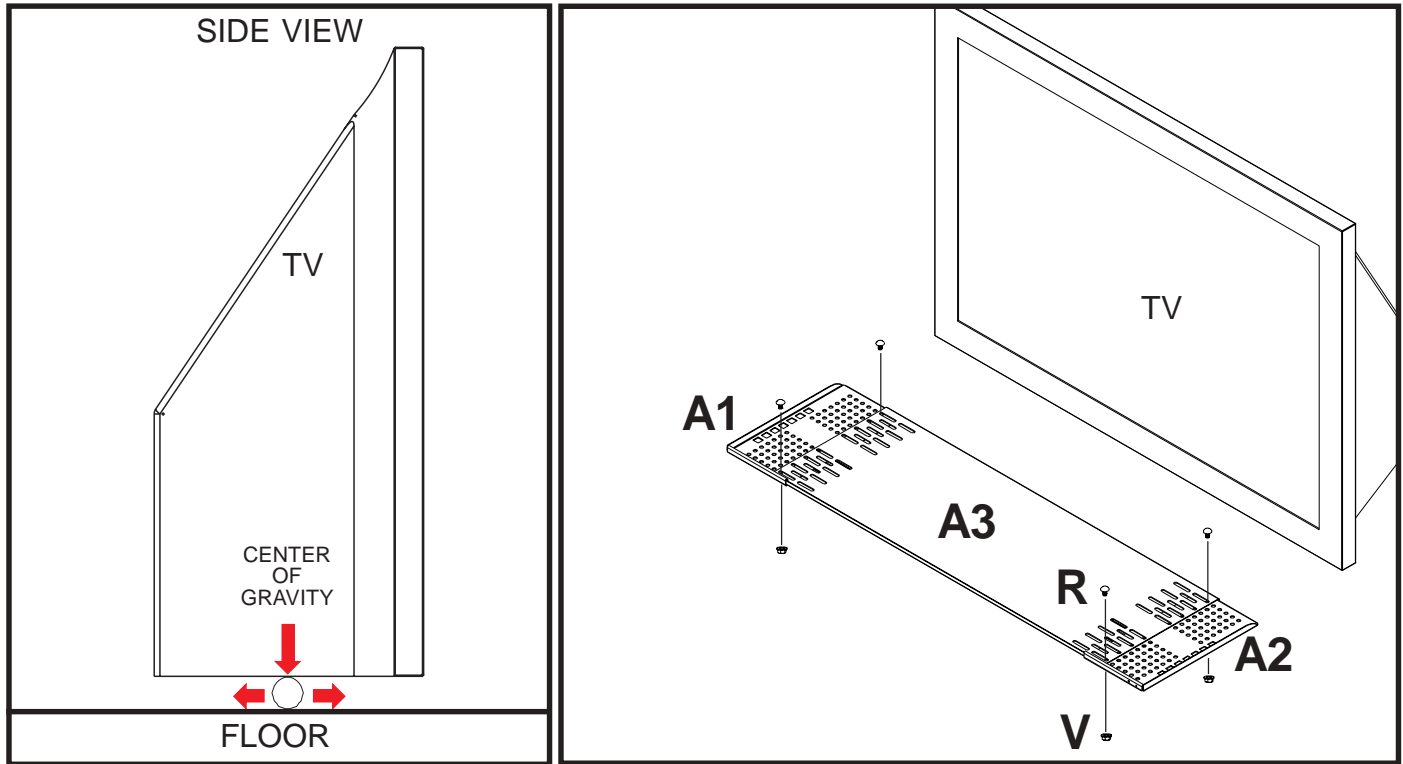
Description	Qty.	Black Part #	Silver Part #
A1 support tray left	1	128-1026	128-4026
A2 support tray right	1	128-1027	128-4027
A3 support tray center	1	128-1413	128-4413
B horizontal support	1	128-1402	128-4402
C vertical support	2	128-1409	128-4409
D support channel	1	128-1414	128-4414
E vertical hanger left	1	128-1407	128-4407
F vertical hanger right	1	128-1406	128-4406
G anti-rollout hook front	2	128-1116	128-4116
H anti-rollout hook rear	2	128-1415	128-4415
I 3/8-16 x 3/4 carriage bolt	2	520-9215	520-4309
J 3/8-16 nylock nut	2	530-9310	530-2001
K flush mount tube	1	1446-014	1446-014S
L .406 x .812 x .060 flat washer	2	540-9407	540-9470
M retaining collar	1	1800-375	1800-375S
N plastic cover for anti-rollout hook	4	590-1055	590-1055
O retainer bar	2	128-1117	128-4117
P #10 x 3/4 wood screw	4	500-9006	500-2014
Q M10 x 16 mm socket screw/washer combo	10	520-1041	520-7041
R 5/16-18 x 1/2 carriage bolt	4	520-9207	520-2047
S M5 x 10 mm type F phillips screw	2	520-9250	520-2005
T M10 x 1.5 x 18 flange nut	2	520-9261	520-9269
U M6 x 18 mm flat head phillips screw	2	520-1166	520-2166
V 5/16-18 serrated flange lock nut	4	530-1016	530-2016
W #10 flat washer	4	540-9400	540-9442
X fiber washer - small inside dia.	1	540-9431	540-9431
Y fiber washer - large inside dia.	1	540-9432	540-9432



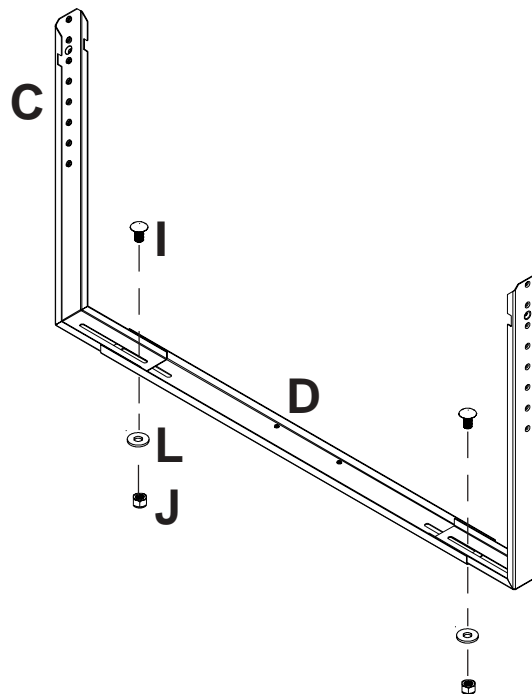
- 1** Place TV onto a piece of pipe as shown. (Pipe should be a few inches wider than the TV.) Roll TV back and forth to find the balance point. This is the **center of gravity**. Mark the center of gravity on the side of the TV.

- 2** Adjust support tray (**A1**, **A2**, & **A3**, three pieces) to match width of TV.

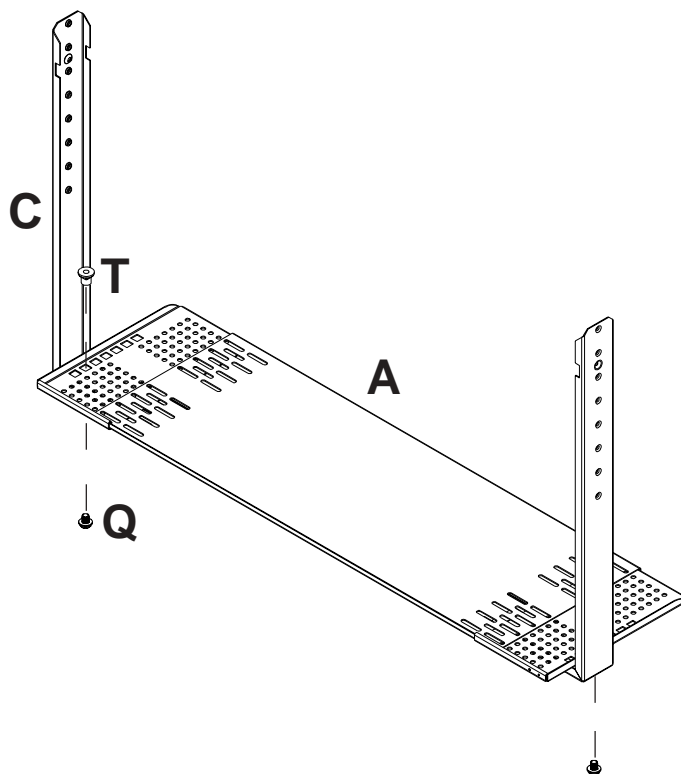
Lock support tray using four carriage bolts (**R**), and washer/nut combos (**V**). Tighten securely.



- 3** Attach vertical supports (**C**) to support channel (**D**) using two 3/8-16 x 3/4 carriage bolts (**I**), two flat washers (**L**), and two 3/8-16 nylock nuts (**J**). Hand tighten.



4 Attach support tray (A) to vertical support arms (C) using two M10 flange nuts (T) and two M10 screw washer combos (Q). Choose the square hole which aligns closest with the center of gravity mark on the TV (as determined in step 1).



TV (UPSIDE DOWN)

INSTALLERS NOTE:

Although anti-rollout hooks (G & H) [see step 6] will provide more than adequate support for the TV, some installers may wish to also attach the support tray to the TV bottom.

Using #10 x 3/4" wood screws (P) and washers (W) (for attachment to mounting bosses if present), attach support tray (A) to TV bottom. [To do this place TV upside down on a flat stable surface and position support tray upside down on TV bottom.]

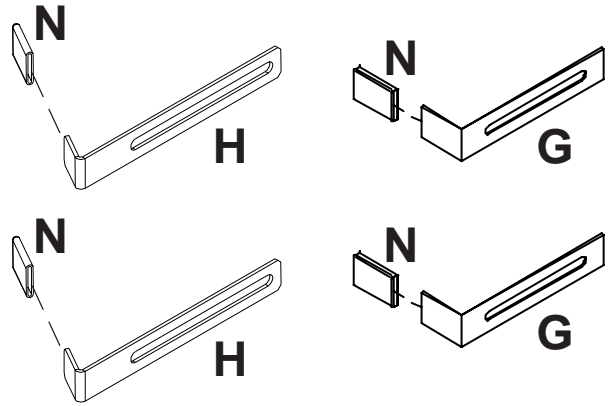
It is the installer's responsibility to make sure the TV is safely secured to the support tray by using the method above or other reasonable alternative method.

P

W

5

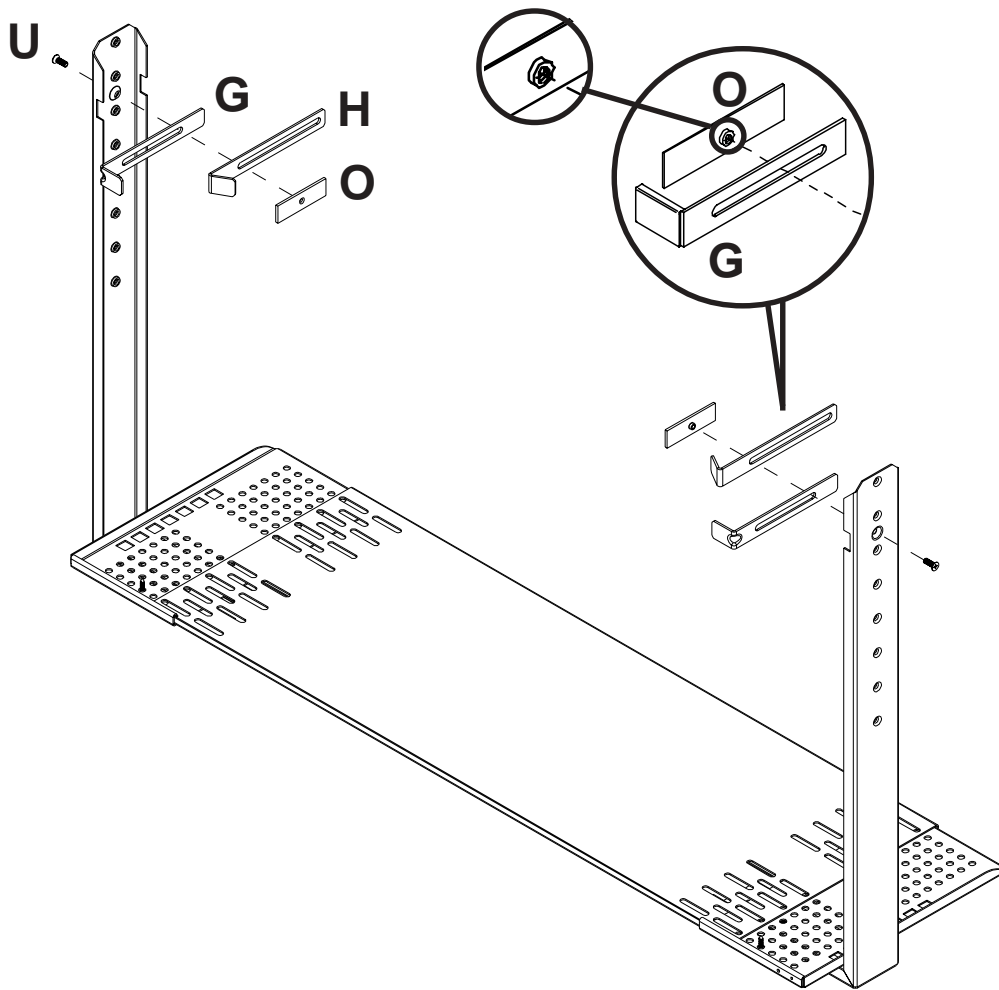
Insert plastic covers (N) onto ends of front and rear anti-rollout hooks (G & H).



6

Attach front and rear anti-rollout hooks (G & H) as shown using M6 screws (U) and retainer bars (O).

Note: Extruded side of retainer bar goes towards anti-rollout hooks. Hand tighten only.
Note: TV not shown for clarity.



7

Position front and rear anti-rollout hooks (**G & H**) against front and rear edge of TV.

⚠ WARNING

- Each anti-rollout hook should have at least 1/4" of surface contact and fit snugly against the front or rear edge of the TV cabinet. If this is not the case, the support tray must be adjusted smaller [see step 2], or the vertical support arms adjusted inward [see below].

Press inwards on left and right vertical support arms (**C**) with sufficient force to assure that arms are fitted snugly to TV cabinet. By hand, thread one M10 screw/washer combo (**Q**) into each vertical support arm (**C**) through one of seven threaded holes [1, 2, 3, 4, 5, 6, or 7; figure 7.1]. Choose threaded holes that will allow enough clearance between horizontal support arm and top of TV cabinet. Leave about 1/4" of exposed thread.

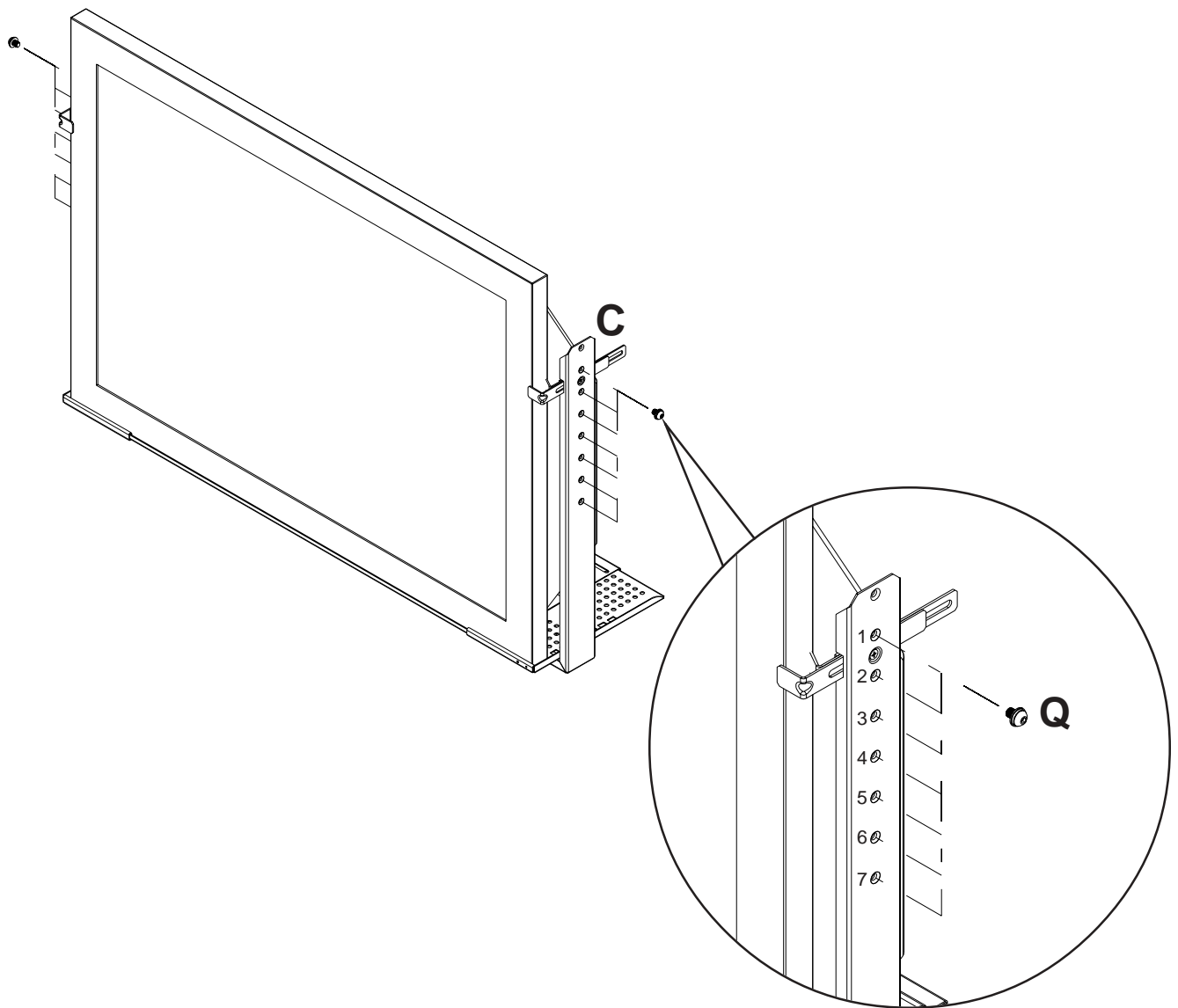


fig. 7.1

FIRST: From the top fully thread flush mount tube (**K**) into threaded fitting in wall arm or ceiling plate. Install the wall arm or ceiling plate according to instructions included with it.

NEXT: Attach right and left tilt brackets (**E & F**) to horizontal support (**B**) using four screw/washer combos (**Q**). Before tightening screws make sure tilt brackets are adjusted horizontally to align precisely with screws in the side of vertical support arms (**C**). Attach horizontal support (**B**) to wall arm or ceiling plate using fiber washers (**X & Y**) and retaining collar (**M**). **IMPORTANT:** Retaining collar requires a safety screw (**S**) [refer to figure 8.1]. When attaching the horizontal support (**B**) to wall arm or ceiling plate, carefully thread retaining collar (**M**) onto end of flush mount (**K**) tube (or extension column). Tighten at least four complete turns ending with one of the small threaded holes aligned with slot in the end of flush mount tube (or extension column). Insert and tighten one M5 screw (**S**).

⚠ WARNING

- Screw (**S**) is self tapping and may be hard to get started but is essential to this installation. Failure to install this screw can cause the mount to fall.

FINALLY: Be sure that hooks in right and left tilt brackets are open end forward. Hang the TV / bracket assembly. Insert one screw/washer combo (**Q**) through slot in each tilt bracket. Hand tighten. Adjust TV to desired tilt, then **TIGHTEN ALL SCREWS SECURELY.**

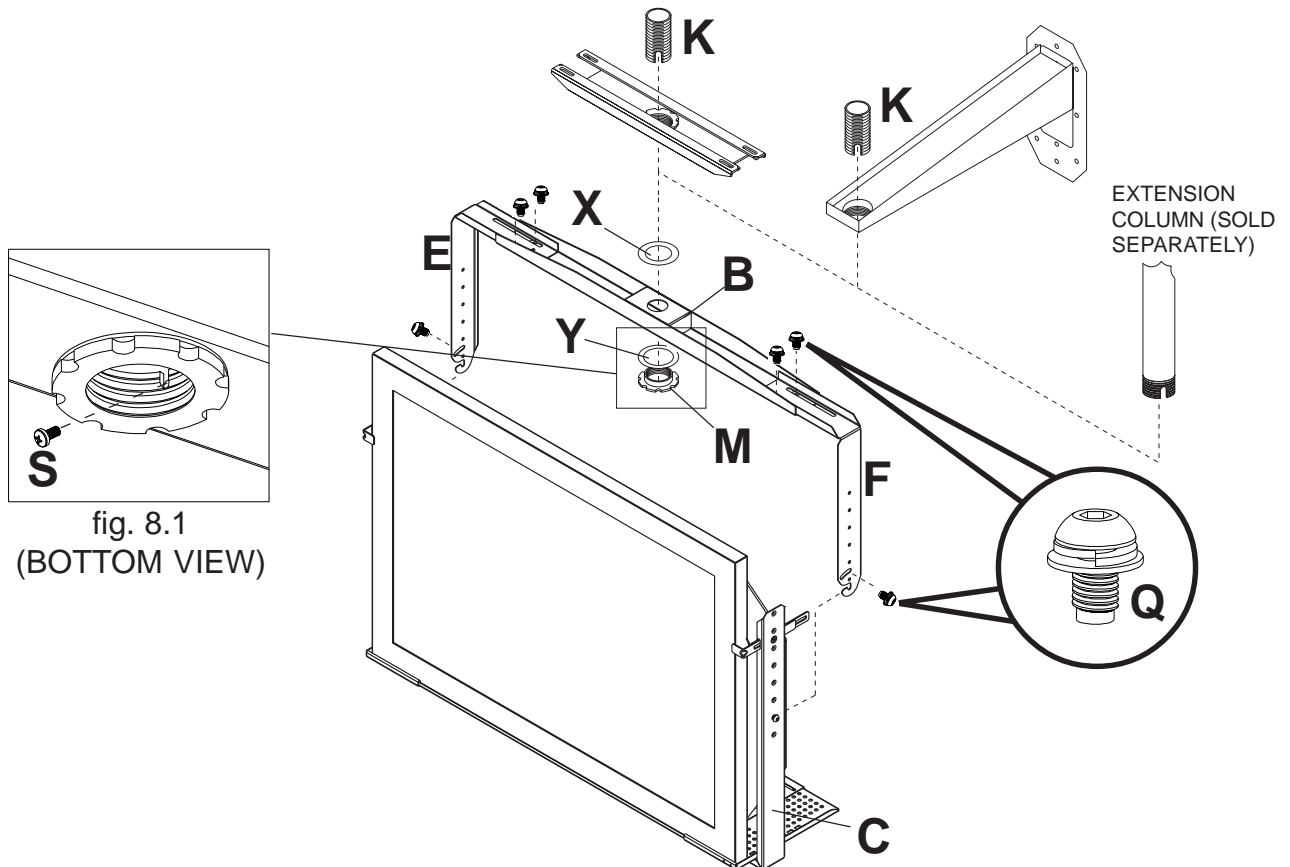


fig. 8.1
(BOTTOM VIEW)