

TECHNICAL DATA SHEET - LCD Screen Adjustable Wall/ Cabinet Mount



MODELS: SAL 730P, SAL 730P-S, RTLAL 100, RTLAL 100S, 105457

The Extended Reach Articulating LCD Wall Arm supports 10" to 22" LCD screens. With internal cord management this mount folds flat against the wall or extends out up to 18.79". Its anodized aluminum finish elegantly complements offices, conference rooms, merchandising displays, hotel rooms or any room in the home. This three-link arm provides easy one-touch tilt and up to 180 degrees of swivel for virtually limitless viewing positions. Unsightly cords are routed internally within the arm to maintain the clean look of the installation.

Features:

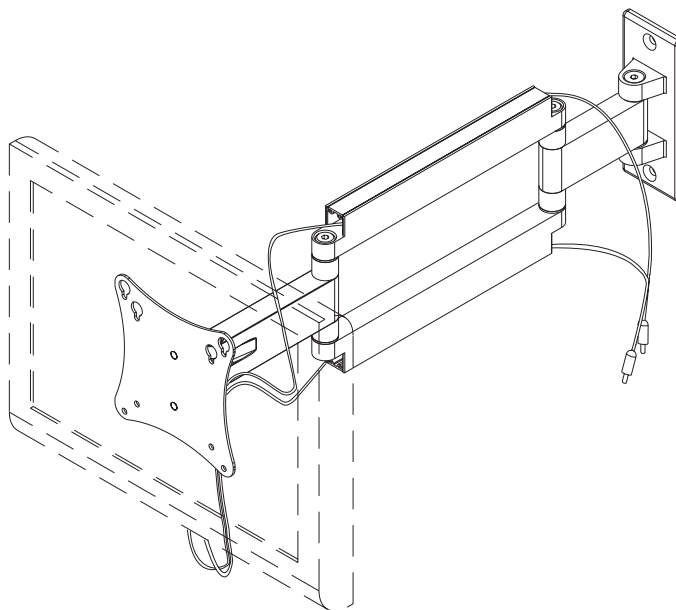
- Fits 10"-20" LCD screens
- Frees up space by folding flat against the wall
- Four pivot points for limitless adjustments
- ±35° of adjustable forward and backward tilt
- Offers 180° of swivel on a wall and up to 270° of swivel around the side of a cabinet or corner
- Sleek aluminum design for a clean look
- Built-in internal cord management channels
- Includes hardware for installation to the side of a cabinet and to a single wood stud or concrete
- Comes with VESA® 75/100 screen adapter plate
- Ships pre-assembled for fast and easy installation

Accessories:

- Metal stud wall plate (WSP models)

Dimensions:

see chart



	SAL 730P, SAL 730P-S	RTLAL-100, RTLAL-100S	105457
Weight:	3.3 lb (1.5 kg)	3.3 lb (1.5 kg)	3.3 lb (1.5 kg)
Shipping weight:	3.9 lb (1.8 kg)	4.1 lb (1.9 kg)	4.1 lb (1.9 kg)
Maximum Load Capacity:	25.0 lb (11.3 kg)	25.0 lb (11.3 kg)	25.0 lb (11.3 kg)
Shipping Carton dimensions:	L = 12.25 in (311 mm) W = 6.25 in (159 mm) H = 3.25 in (83 mm)	L = 12.25 in (311 mm) W = 6.25 in (159 mm) H = 3.25 in (83 mm)	L = 12.625 in (321 mm) W = 10.25 in (260 mm) H = 4.25 in (108 mm)

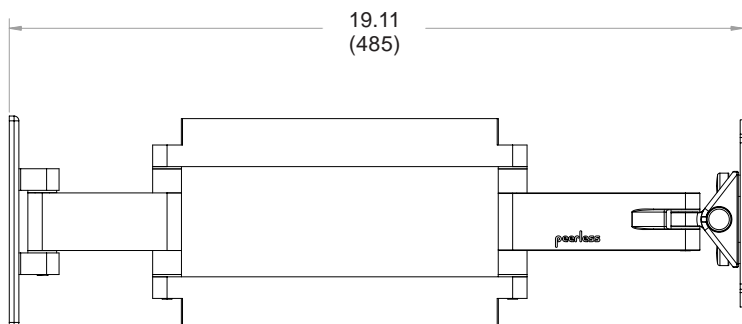
ARCHITECTS SPECIFICATIONS

The LCD Screen Adjustable Wall/Cabinet Mount shall be a Peerless model _____ and shall be located where indicated on the plans. Assembly and installation shall be done according to instructions provided by the manufacturer. Mount is made of anodized aluminum and adapter bracket is made of steel with a scratch resistant epoxy silver finish.

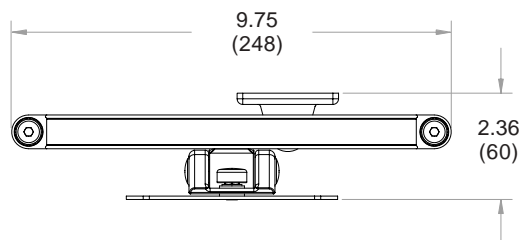
TECHNICAL DATA SHEET

MODELS: SAL 730P, SAL 730P-S, RTLAL 100, RTLAL 100S, 105457

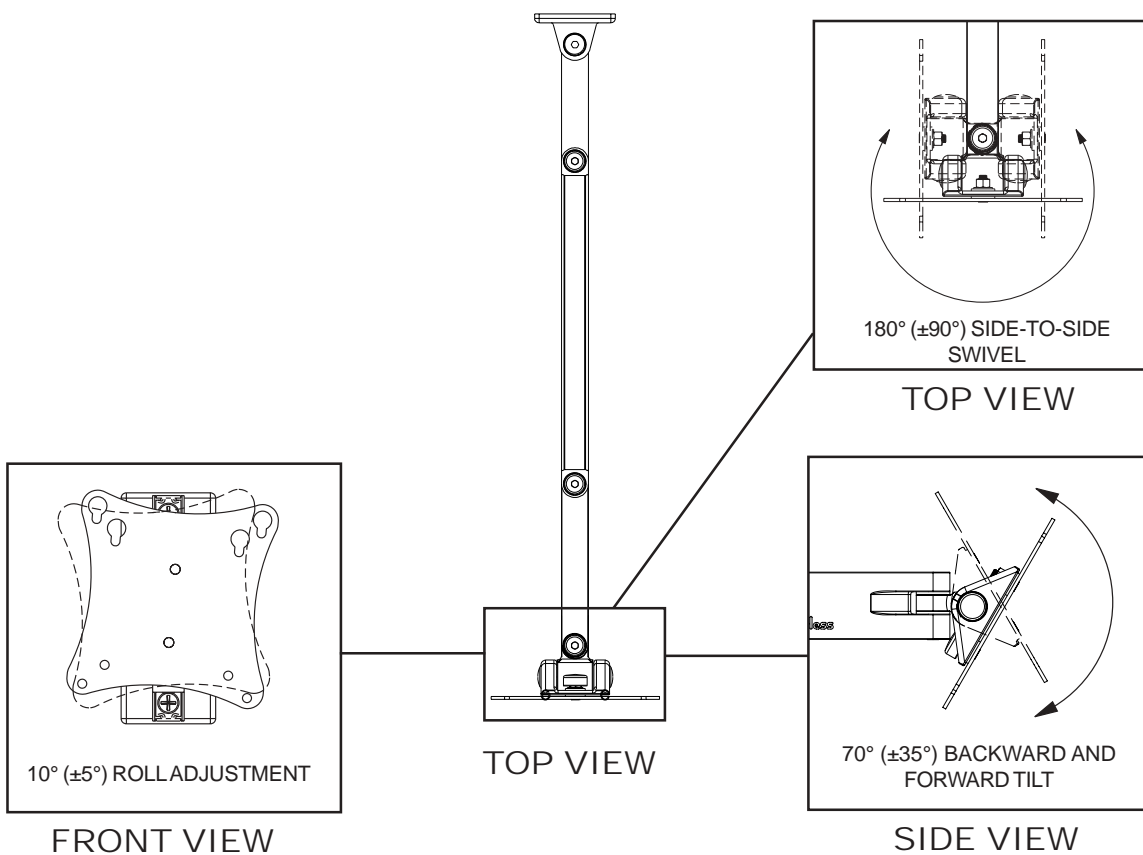
ALL DIMENSIONS = INCH (MM)



RIGHT VIEW



TOP VIEW



TECHNICAL DATA SHEET

MODELS: SAL 730P, SAL 730P-S, RTLAL 100, RTLAL 100S, 105457

ALL DIMENSIONS = INCH (MM)

CA = center of adapter plate
 CP = center of wall plate

