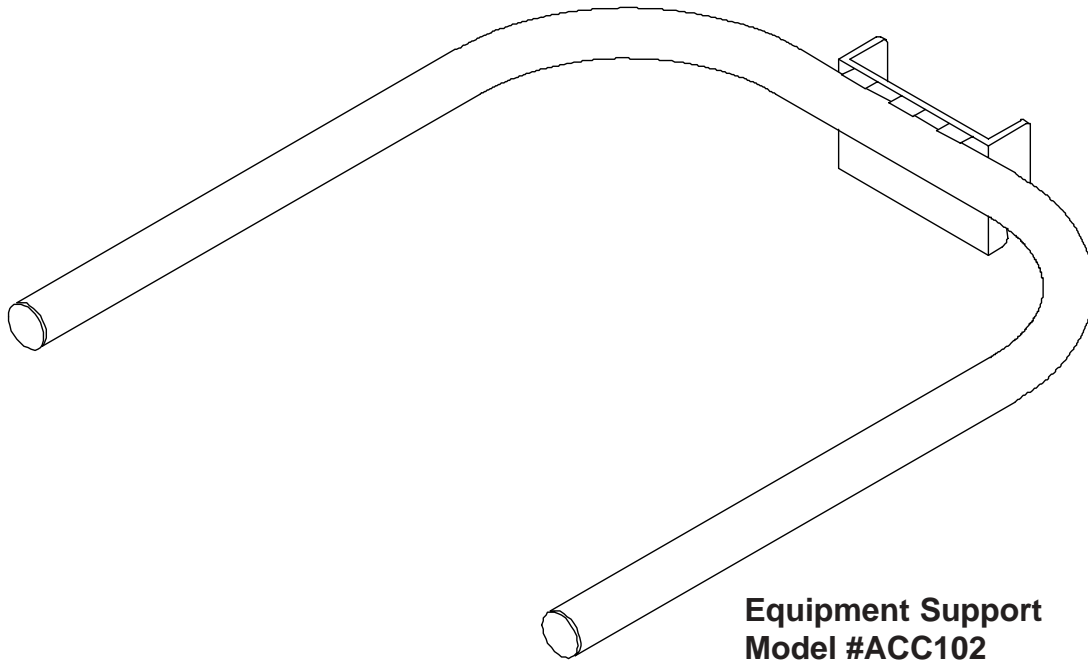


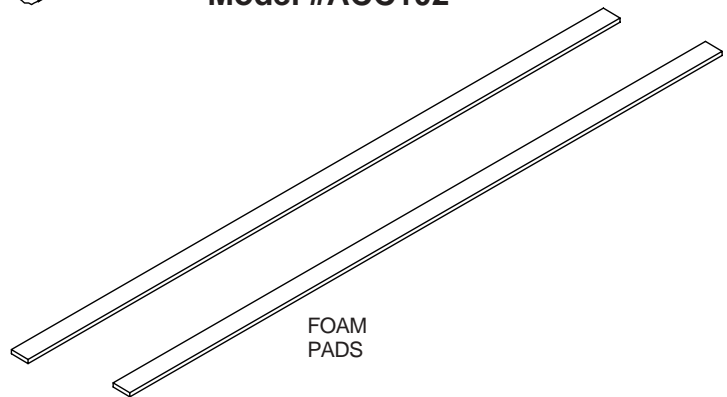
Equipment Supports are sold with Electronics Tower models PM627, PM632 and PM610. Model ACC102 can be ordered to add additional supports to the Electronics Tower.

Features:

- Equipment support with foam pads
- Heavy duty steel construction



**Equipment Support
Model #ACC102**



FOAM
PADS

WEIGHT	SHIPPING WEIGHT	MAX LOAD	ALL DIMENSIONS: inch (mm.)
2 (.9)	3 (1.4)	15 (7)	ALL WEIGHTS: lb. (kg.)



ARCHITECTS SPECIFICATIONS

The Equipment Support shall be a Peerless model **ACC102**. It shall be constructed of steel and steel tubing and finished in scratch resistant black fused epoxy. Assembly and installation shall be done according to instructions provided by the manufacturer.



Peerless Industries, Inc. 3215 W. North Ave. Melrose Park, IL 60160
708-865-8870 800-865-2112 Fax 708-865-2941 www.peerlessindustries.com

TECHNICAL DATA SHEET

Equipment Support

Issued: 06-01-00 Sheet #021-9504-1 12-11-03

PAGE
1 of 1