

TECHNICAL DATA SHEET - Jumbo™ 44" Wide Body Cart

peerless®
Solid Solutions - Solid Support™

MODEL: JCT WB44 & JCT WB44E

The wide base on these carts provides extra stability, making them safe and ideal for use in schools, libraries, and media centers. Three stationary shelves provide ample space for TVs (up to 32"), extra audiovisual equipment, and supplies. They are conveniently available with a three-outlet electrical strip for powering equipment.



This product is intended for use with UL Listed products and must be installed by a qualified professional installer.

Product is UL rated up to 32" TV, 125 lbs.

Features:

- Color: Black
- 44" high wide - body design, for use with projector or monitor up to 32"
- 4" silent roll bearings swivel casters, 2 locking
- JCT-WB44/E:
 - Three shelves
 - Top shelf - 32" L x 22" W
 - Bottom shelf - 32" L x 27.5" W
- Solid Steel construction
- "E" model includes three outlet electrical strip with 15' power cord

Dimensions:

Weight:

50.00 lb (22.7 kg)

Shipping weight:

55.00 lb (25.0 kg)

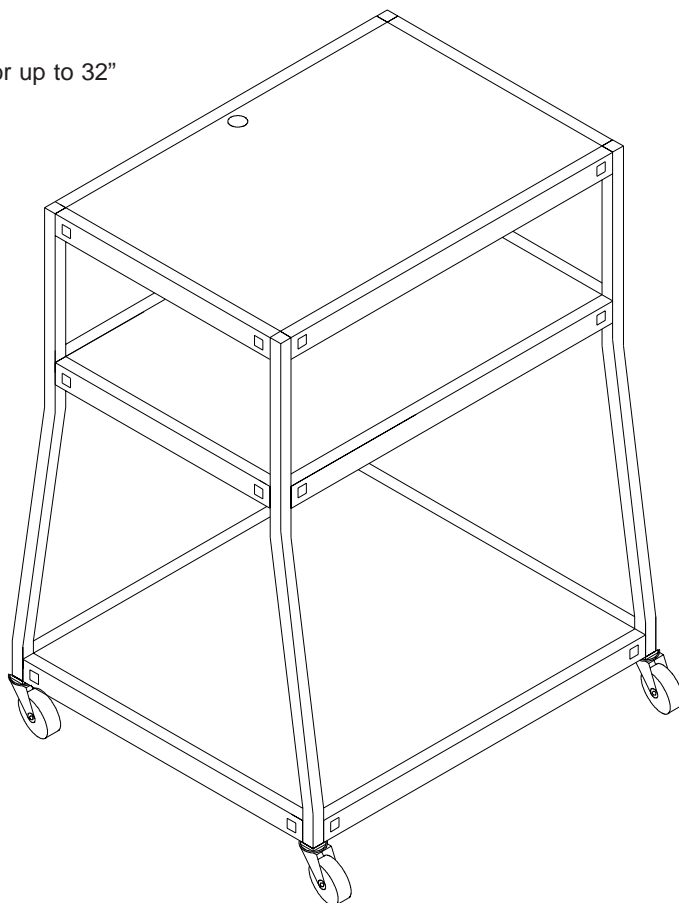
Product is UL rated up to 32" TV, 125 lbs.

Shipping Carton dimensions:

L= 43.00 in (1092 mm)

W= 30.50 in (775 mm)

H= 7.00 in (178 mm)



ARCHITECTS SPECIFICATIONS

The Jumbo™ Wide body cart shall be a Peerless model **JCT WB44 & JCT WB44E** and shall be located where indicated on the plans. It shall be constructed of solid steel and finished in black paint. Assembly and installation shall be done according to instructions provided by the manufacturer.

Peerless Industries, Inc.
3215 W. North Ave. Melrose Park, IL 60160
708-865-8870 800-865-2112 Fax 708-865-2941
www.peerlessmounts.com

ISSUED: 06-23-03 SHEET NO: 009-9522-5 07-19-05

©2005 Peerless Industries, Inc. All rights reserved.
Peerless is a registered trademark of Peerless Industries, Inc.

TECHNICAL DATA SHEET

MODEL: JCT WB44 & JCT WB44E

