

## ⚠ WARNING

- For stability, TV must be placed with front of TV facing front of cart (side with labels and Peerless nameplate).
- Do not tip cart with TV in place.



This product is intended for use with UL Listed products and must be installed by a qualified professional installer.

Product is UL rated up to 40" TV, 240 lbs.

### ACCESSORIES (ordered separately)

- ACC 666 - Safety belt to secure TV to shelf is recommended.
- ACC 552 - Electrical outlet box

### IMPORTANT!

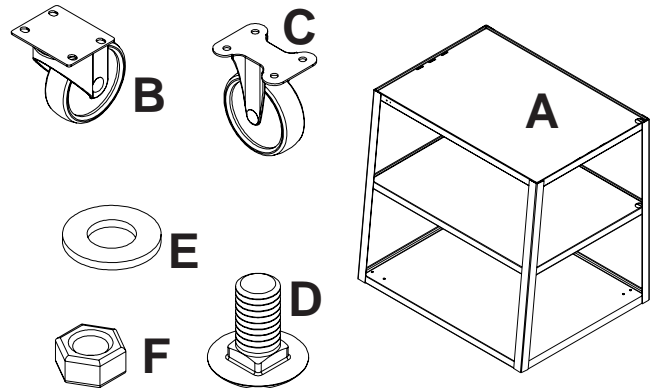
- Do not use cart for TV's larger than 40".
- Read entire instruction sheet before you start assembly and installation.

## Parts List

Before you start make sure all parts listed are included with your product.

PART #	QTY.	DESCRIPTION
A	009-1166	1 cart
B	600-0026	2 swivel caster (with brake)
C	600-0027	2 rigid caster
D	520-1165	16 5/16-18 x 5/8 carriage bolt
E	540-9406	16 flat washer
F	530-9306	16 nylock nut

Some parts may appear slightly different than illustrated.



- 1 Turn cart (A) upside down for wheel attachment. Attach two rigid casters (C) to one end of the cart and two swivel casters (B) to the other end where shown below. Attach each caster using four carriage bolts (D), washers (E), and nylock nuts (F) as shown below and in detail 1. Tighten securely.

