

TECHNICAL DATA SHEET - Armor Lock-Box™ Projector Security Enclosure



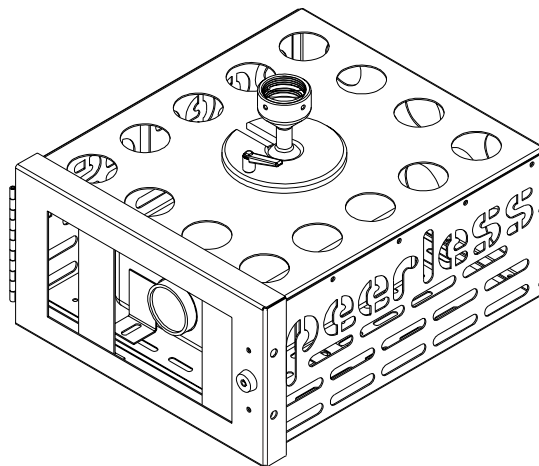
MODEL: ALB SM1, ALB MD1

The Armor Lock-Box™ is a steel projector enclosure and mount all in one. It features an aluminum ball and socket design, a key-lock with a controlled key that requires registration for replacements, an optional lockdown point for a padlock or combination lock, and fine tuning adjustment capabilities. It is designed to attach to standard 1 ½" extension column or ½" threaded rod (Threaded Rod Adapter sold separately).

Features:

- Roll 60° (+/- 30°), Pitch 60° (+/- 30°), Yaw 360° with lock down at any degree*
- Theft-resistant Armor Lock™ security at all connection points (enclosure to extension column/threaded rod and extension column to ceiling plate)
- Projector tray designed for easy removal while maintaining set mount position
- Mount is integrated into the design; no additional mount is required
- Available in two sizes to accommodate various projectors without compromising aesthetics
- Can be mounted to pre-existing 1 ½" NPT schedule 40 pipe or ½" threaded rod (using Threaded Rod Adapter – sold separately)
- Multiple holes and slots allow for cord management and proper projector ventilation
- Fine tuning adjustment capabilities for quick and precise image alignment
- Key-lock and controlled keys (REQUIRES REGISTRATION FOR ADDITIONAL COPIES)
- Additional lockdown point for personal padlock or combination lock

* Roll & pitch may be limited the closer it is mounted to the ceiling



Accessories:

- Ceiling Plates (various models available)
- Cord Management Adapter (ACC 800)
- Cord Wrap (ACC 852, ACC 852S, ACC 852W, ACC 856, ACC 856W)
- ½" Threaded Rod (ACC 820)
- Threaded Rod Adapter (ACC 810)
- Fixed and Adjustable length Extension Columns, 1 ½" NPT ("EXT" or "ADJ" models)
- Armor Lock Plus™ security cable with Kensington® Lock (ACC 020)
- Armor Lock Plus security cable (ACC 021)
- Side to Side Adjuster (ACC 830)

Max Load Capacity:

50 lb (22.7 kg)

Dimensions:

For product dimensions see pages 2-3

ARCHITECTS SPECIFICATIONS

The Armor Lock-Box Projector Security Enclosure shall be a Peerless model **ALB SM1** or **ALB MD1** and shall be located where indicated on the plans. Assembly and installation shall be done according to instructions provided by the manufacturer.

Peerless Industries, Inc.

3215 W. North Ave. Melrose Park, IL 60160
708-865-8870 800-865-2112 Fax 708-865-2941

www.peerlessindustries.com

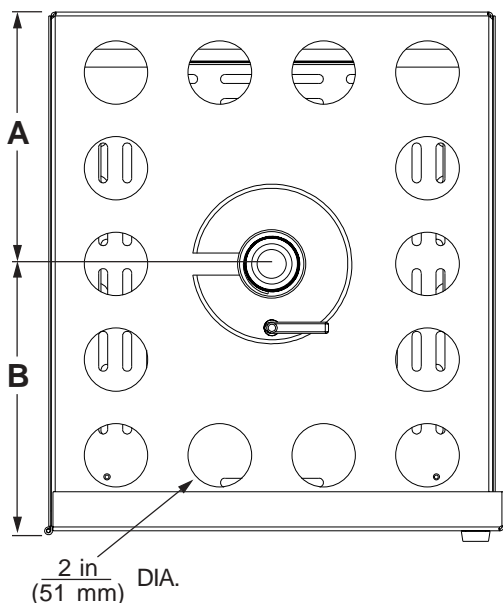
ISSUED: 04-25-03 SHEET NO: 055-9716-1 12-28-04

©2004 Peerless Industries, Inc. All rights reserved.
Peerless is a registered trademark of Peerless Industries, Inc.
Armor Lock-Box is a trademark of Peerless Industries, Inc.

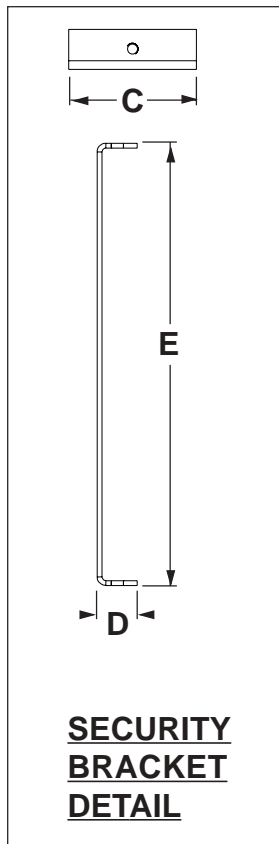
All other brand and product names are trademarks or registered trademarks of their respective owners.

TECHNICAL DATA SHEET

MODEL: ALB SM1, ALB MD1



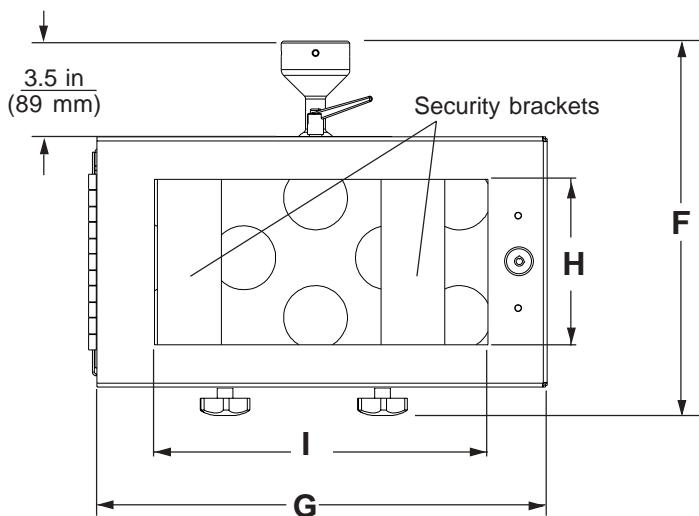
TOP VIEW



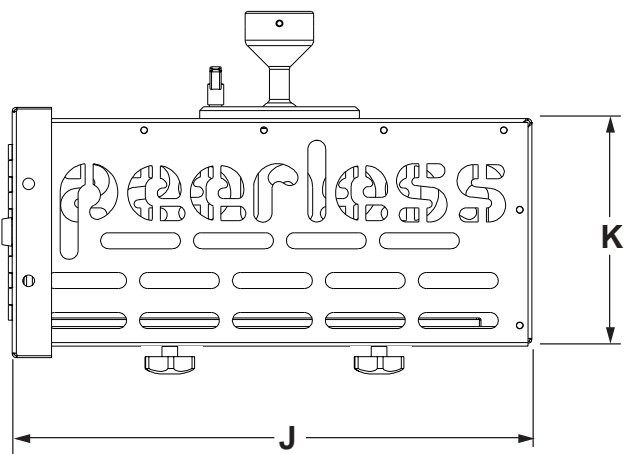
SECURITY BRACKET DETAIL

	ALB SM1	ALB MD1
A	7.8 (198)	9 (229)
B	8.2 (208)	9.5 (241)
C	2 (51)	2 (51)
D	0.6 (16)	0.6 (16)
E	6.9 (176)	9.9 (252)
F	11.5 (291)	14.5 (368)
G	14 (356)	17.1 (434)
H	5.19 (132)	8.2(208)
I	10.5 (265)	13.7 (348)
J	16 (406)	18.5 (470)
K	7.2 (183)	10.1 (256)

All dimensions shown as inch / (mm).



FRONT VIEW



SIDE VIEW

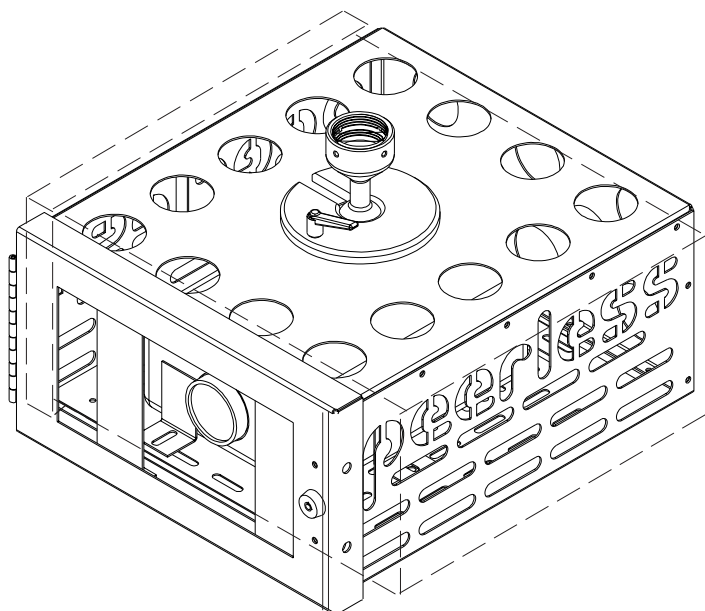
TECHNICAL DATA SHEET

MODEL: ALB SM1, ALB MD1

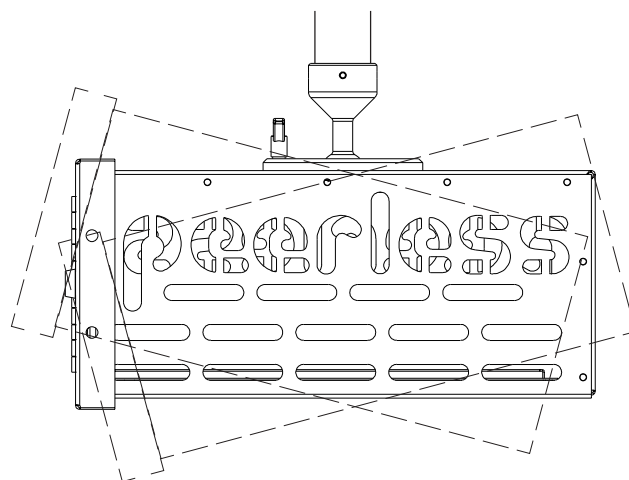
MODEL #	WEIGHT	SHIPPING WEIGHT	SHIPPING CARTON DIMENSIONS	PROJECTOR WIDTH RANGE	PROJECTOR MAX HEIGHT	PROJECTOR DEPTH RANGE
ALB SM1	20 (9)	23 (10.5)	19 x 16.8 x 14.1 (483 x 427 x 358)	6.7-11 (170-279)	4 (127)	5.6-12 (142-304)
ALB MD1	30 (13.5)	33 (15)	21.8 x 19 x 17.8 (554 x 483 x 452)	6.7-14.25 (170-362)	7 (178)	5.6-14 (142-356)

All dimensions shown as inch / (mm). All weights shown as pounds / (kg)

360° YAW



60° (±30°) PITCH



60° (±30°) ROLL

