

## Installation and Assembly- LC Projector Mount



This product is intended for use with UL Listed products and must be installed by a qualified professional installer.

Models:  
PJRL 30, PJRL 30G

**IMPORTANT!** Read entire instruction sheet before you start installation and assembly.

Be sure that your projector will fit! Refer to maximum and minimum adjustment ranges (page 6).

Before you start check the parts list (page 6) to make sure all of the parts shown are included.

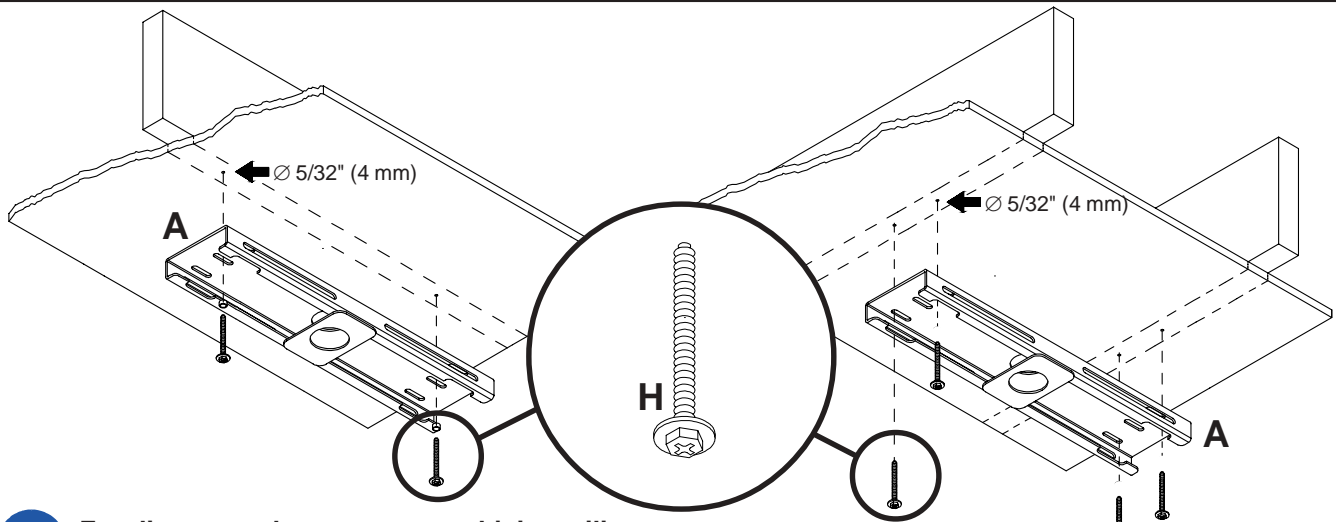
**MAXIMUM LOAD CAPACITY:**  
75 lb (34 kg)

## ⚠ WARNING

- Installer must verify that the ceiling will safely support four times the combined weight of all attached equipment and hardware.

## CAUTION

- Before installation, identify the location of all vents and ports on the projector to ensure they will not be obstructed by the universal mount. Blocked vents may cause damage to the equipment.



**1**

### For direct attachment to a wood joist ceiling.

Attach cross support (A) to one ceiling joist if joists are parallel to the viewing screen. Attach cross support (A) to two ceiling joists if joists are perpendicular to the viewing screen. Use a stud finder to locate ceiling joists. Drill 5/32" (4 mm) dia. holes 2.5" (65 mm) deep into **joist centers**. Attach cross support (A) using #14 x 2.5" (6 mm x 65 mm) wood screws (H).

## ⚠ WARNING

- Tighten wood screws so that ceiling plate is firmly attached, but do not overtighten. Overtightening can damage the screws, greatly reducing their holding power.
- Never tighten in excess of 80 in • lb (9 N.M.).
- Make sure that mounting screws are anchored into the center of the joist. The use of an "edge to edge" stud finder is highly recommended.

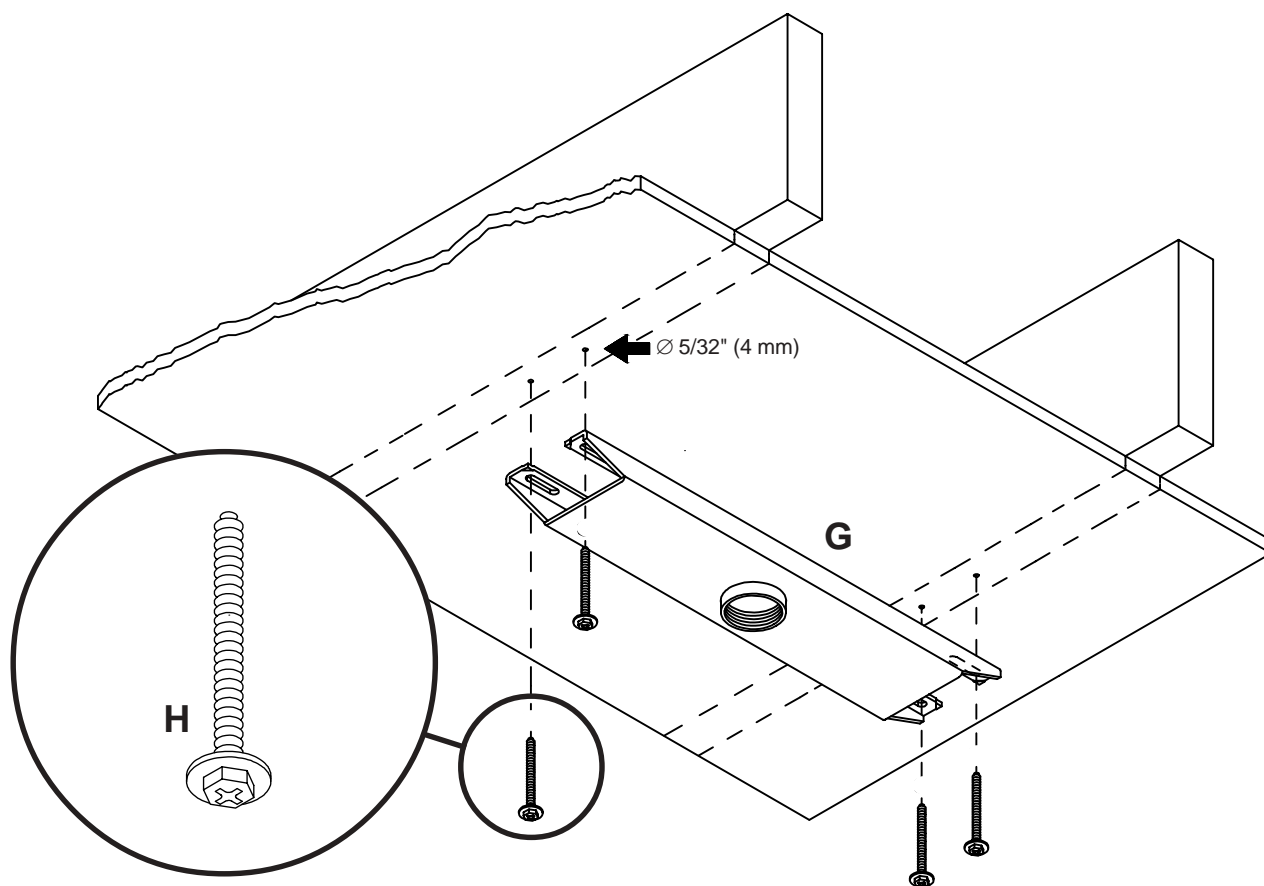
Skip now to step 6.

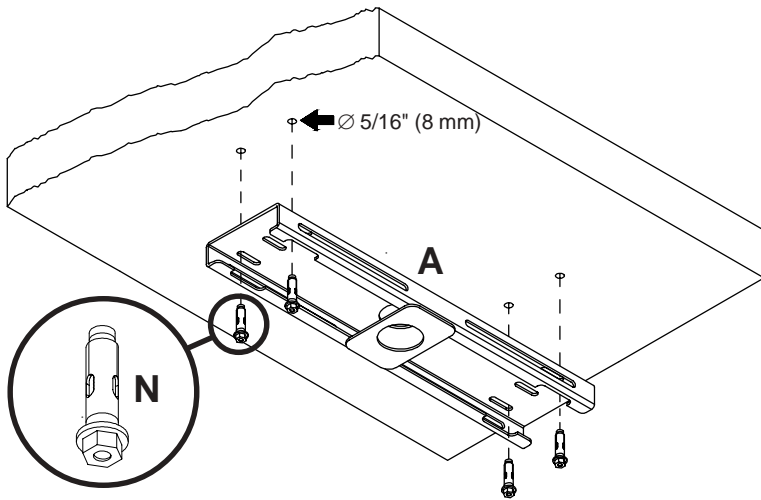
- 2** For wood joist ceiling installations that will incorporate an extension column attach ceiling plate (G) to two ceiling joists. Use a stud finder to locate ceiling joists. Drill four 5/32" (4 mm) dia. holes 2.5" (65 mm) deep into **joist centers**. Attach ceiling plate (G) using #14 x 2.5" (6 mm x 65 mm) wood screws (H).

## ⚠ WARNING

- Tighten wood screws so that ceiling plate is firmly attached, but do not overtighten. Overtightening can damage the screws, greatly reducing their holding power.
- Never tighten in excess of 80 in • lb (9 N.M.).
- Make sure that mounting screws are anchored into the center of the joist. The use of an "edge to edge" stud finder is highly recommended.

Skip now to step 5.

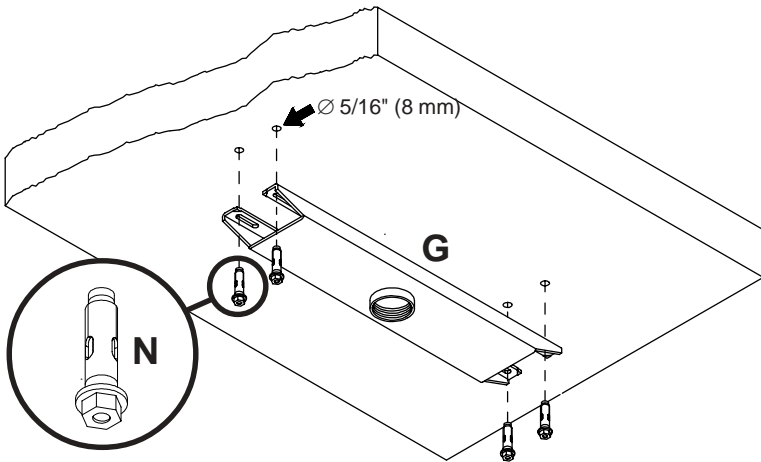




**3** For direct attachment to a concrete ceiling.

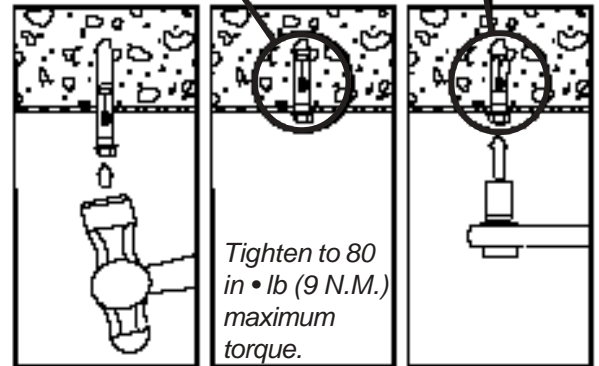
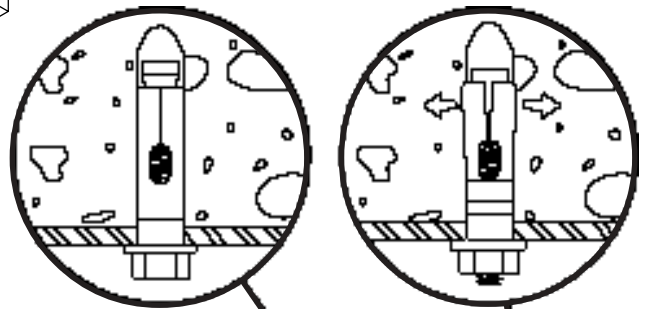
**IMPORTANT: Cross support (A) must be parallel to viewing screen.**

Drill four 5/16" (8 mm) dia. holes 1.75" (45 mm) deep. Attach cross support (A) using four concrete anchors (N). Tighten to 80 in • lb (9 N.M.) maximum torque. See also CONCRETE ANCHOR INSTALLATION below, then skip to step 6.

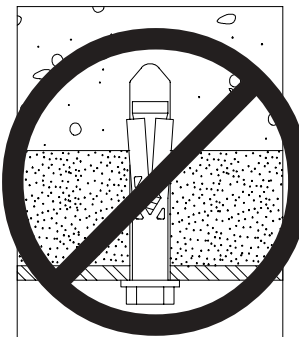


**4** For concrete ceiling installations that will incorporate an extension column.

Drill four 5/16" (8 mm) dia. holes 1.75" (45 mm) deep. Attach ceiling plate (G) using four concrete anchors (N). Tighten to 80 in • lb (9 N.M.) maximum torque. See also CONCRETE ANCHOR INSTALLATION below, then skip to step 5.



**CONCRETE ANCHOR INSTALLATION**



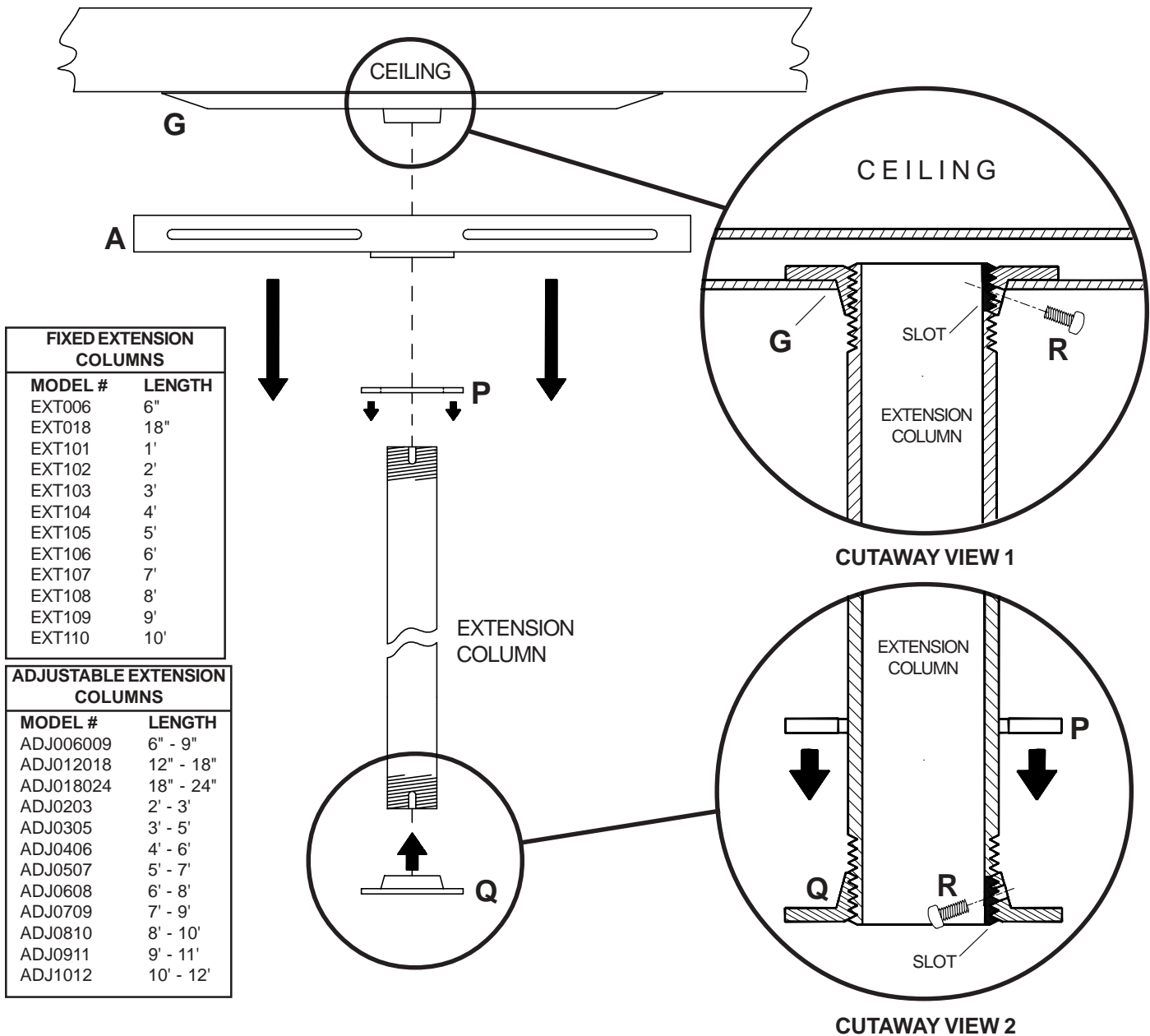
**USE ONLY RAWL™ #5005 OR HILTI™ HL814 CONCRETE EXPANSION ANCHORS.** [.312 x 1.625 (8 mm x 41 mm)] included with this product.

**⚠ WARNING**

- Tighten concrete anchor bolts firmly, but do not overtighten. Overtightening can damage the bolts, greatly reducing their holding power.
- Never tighten in excess of 80 in • lb (9 N.M.).

**⚠ WARNING**

- Always attach concrete expansion anchors directly to load-bearing concrete.
- Never attach concrete expansion anchors to concrete covered with plaster, drywall or other finishing material.



**5** For extension column installations order one of the extension columns listed above.

Hand tighten *securely* retaining collar (Q) onto lower end of extension column. Align one of three holes in the side of retaining collar (Q) with slot in end of extension column as pictured in **CUTAWAY VIEW 2**.

**NOTE:** Holes are at 20° angle.

From *inside* extension column insert and tighten one M5 x .8 x 10 mm phillips self tapping screw (R) to lock retaining collar (Q) to extension column.

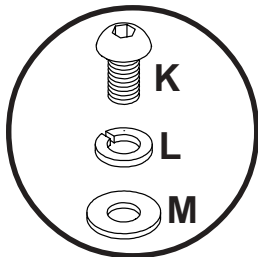
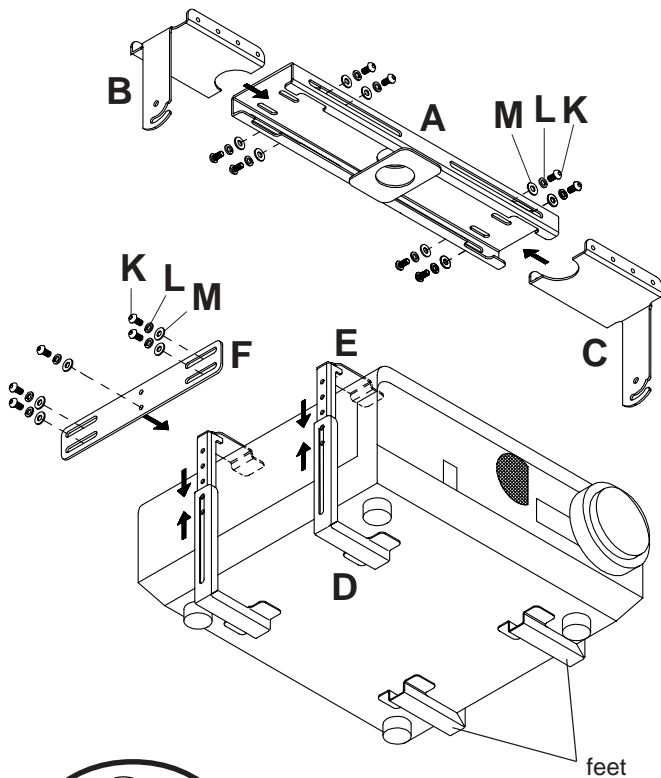
From the top insert fiber washer (P) then cross support (A) onto extension column.

Hand tighten *securely* extension column onto threaded fitting in ceiling plate (G). Align slot in end of extension column with one of three holes in threaded fitting as pictured in **CUTAWAY VIEW 1**.

**NOTE:** Holes are at 20° angle.

Insert and tighten one M5 x .8 x 10 mm phillips self tapping screw (R) to lock extension column to ceiling plate (G).

To order extension columns or additional mounting hardware call 1-800-729-0307 or 708-865-8870.



- 6** Insert left horizontal adjuster (B) and right horizontal adjuster (C) into cross support (A). **NOTE:** Hooks on horizontal adjusters (B & C) face front. Insert and *hand tighten* eight M8 socket head screws (K) with lock washers (L) and flat washers (M).
- 7** Clamp each side of projector using upper vertical adjusters (E), lower vertical adjusters (D) and side plates (F).

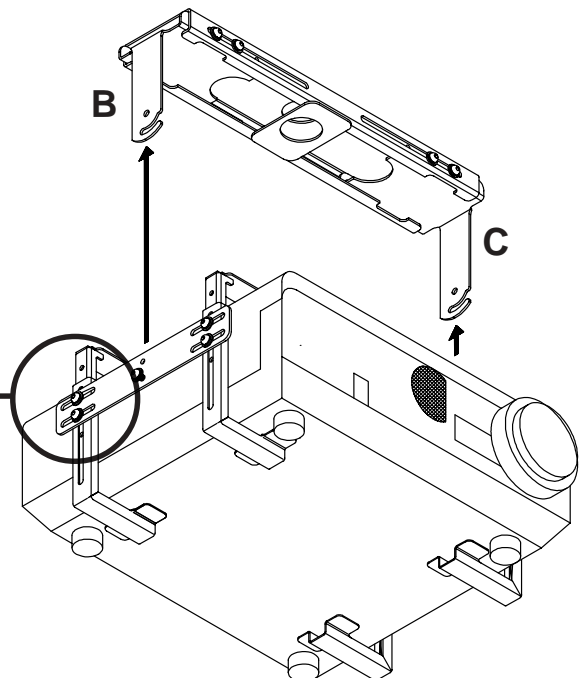
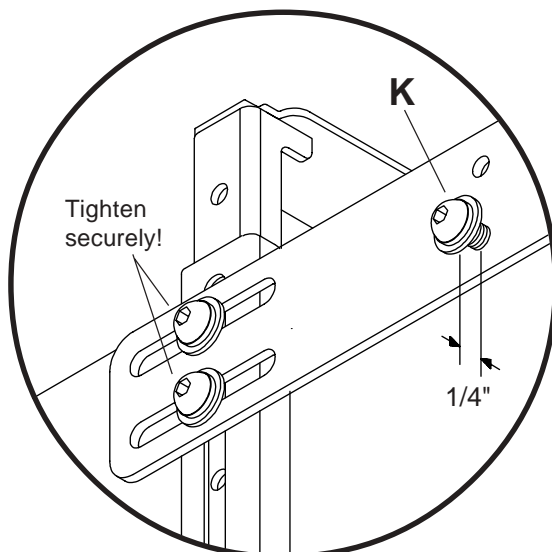
## CAUTION

- Because the LC Projector Mount works as a clamp be sure that vertical adjuster (D & E) contact points are solid and level. Avoid positioning vertical adjusters at uneven areas or areas which contain fragile protrusions. If protrusions on projector bottom interfere with lower vertical adjusters upper and lower vertical adjusters may be reversed.
- Be sure that foam rubber on vertical adjusters (D & E) is slightly compressed indicating that the projector is securely clamped.
- Vertical adjusters (D & E) should be positioned inside the four feet of the projector as pictured.

Assemble using M8 socket head screws (K) with lock washers (L) and flat washers (M).

**NOTE:** Tighten eight outside screws (four each side) securely. Tighten two lower center screws (one each side) only a couple of turns leaving about 1/4" of thread exposed (as detailed in step 8).

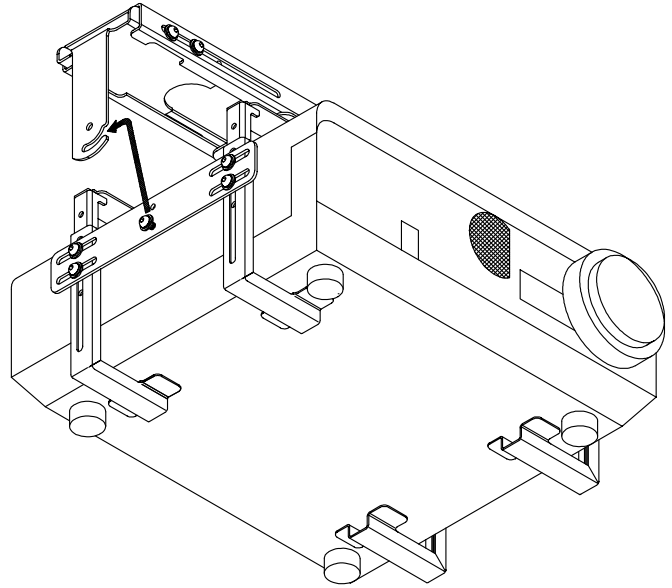
- 8** Align horizontal adjusters (B & C) with projector. Be sure that about 1/4" of thread is exposed on two lower center screws (K) so screws will easily engage with hooks on horizontal adjusters.



**9** Carefully lift and hang the projector.

**⚠ WARNING**

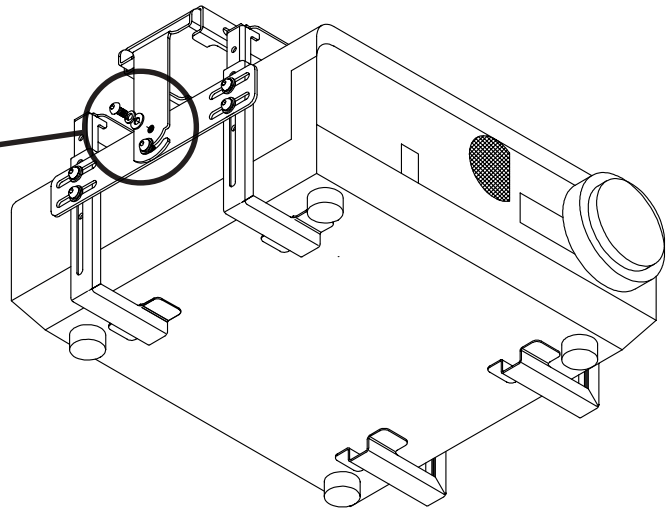
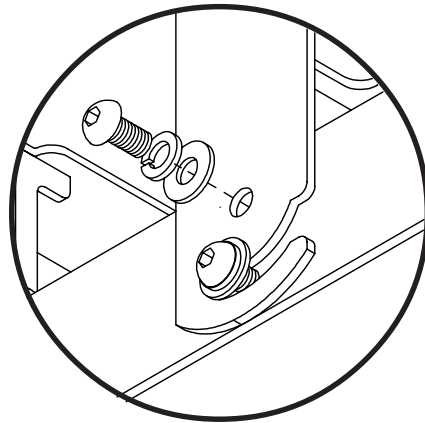
- Always use an assistant or mechanical lifting equipment to safely lift and position the projector.

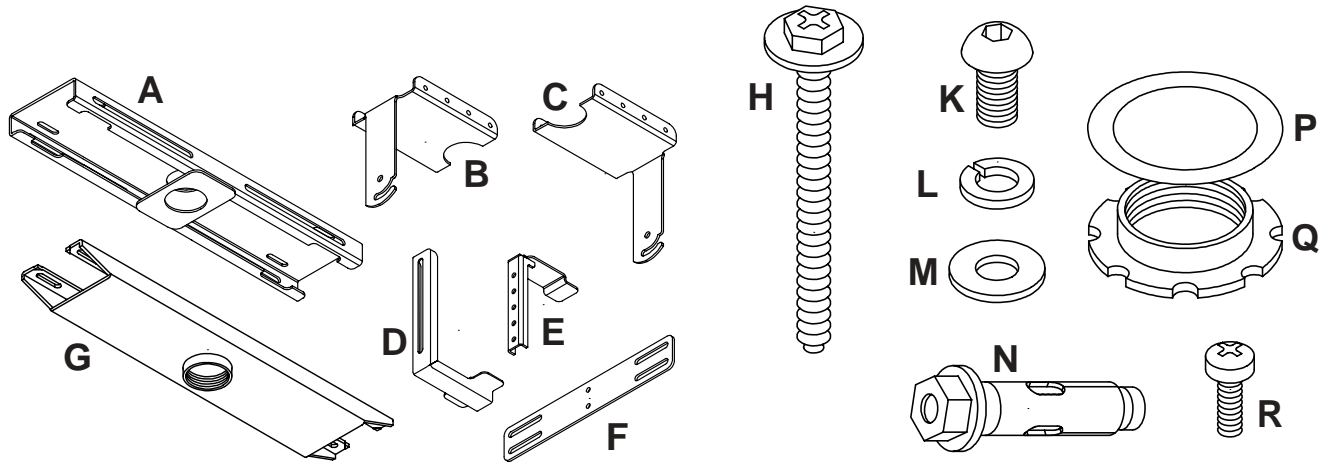


**10** Insert remaining screws and washers into horizontal adjusters. Fine tune the tilt and position of the projector.

**⚠ WARNING**

- When adjustments are complete **BE SURE TO TIGHTEN ALL SCREWS SECURELY!**





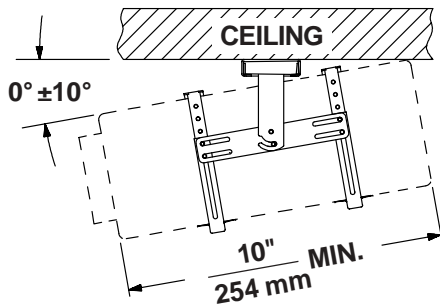
**PARTS LIST model #PJRL 30**

PART #	QTY.	DESCRIPTION	PART #	QTY.	DESCRIPTION
A 039-1001	1	cross support	K 520-9527	20	M8 x 1.25 x 16 mm round socket, black
B 039-1008	1	left horizontal adjuster	L 540-9405	20	lock washer
C 039-1009	1	right horizontal adjuster	M 540-9406	20	flat washer
D 039-1006	4	lower vertical adjuster	N 560-9707	4	concrete anchor
E 039-1007	4	upper vertical adjuster	P 540-9432	1	fiber washer
F 039-1005	2	side plate	Q 1800-375	1	retaining collar
G 128-1039	1	ceiling plate	R 520-9250	2	M5 x .8 x 10 mm phillips screw
H 5S1-015-C03	4	washer head wood screw			

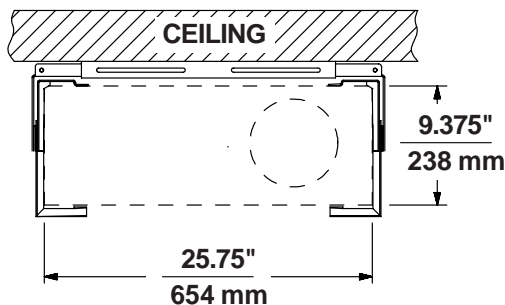
**PARTS LIST model #PJRL 30G**

PART #	QTY.	DESCRIPTION	PART #	QTY.	DESCRIPTION
A 039-7001	1	cross support	K 520-9533	20	M8 x 1.25 x 16 mm round socket, zinc
B 039-7008	1	left horizontal adjuster	L 540-9445	20	lock washer
C 039-7009	1	right horizontal adjuster	M 540-9446	20	flat washer
D 039-7006	4	lower vertical adjuster	N 560-9707	4	concrete anchor
E 039-7007	4	upper vertical adjuster	P 540-9432	1	fiber washer
F 039-7005	2	side plate	Q 1800-375G	1	retaining collar
G 128-7039	1	ceiling plate	R 520-9250	2	M5 x .8 x 10 mm phillips screw
H 5S1-015-C04	4	washer head wood screw			

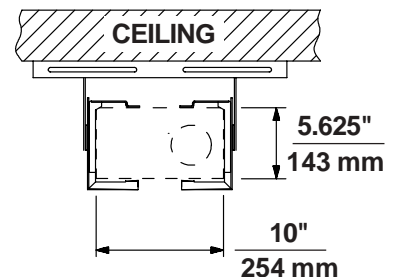
**ADJUSTMENT RANGES**



**SIDE VIEW**



**FRONT VIEW - MAXIMUM DIMENSIONS**



**FRONT VIEW - MINIMUM DIMENSIONS**