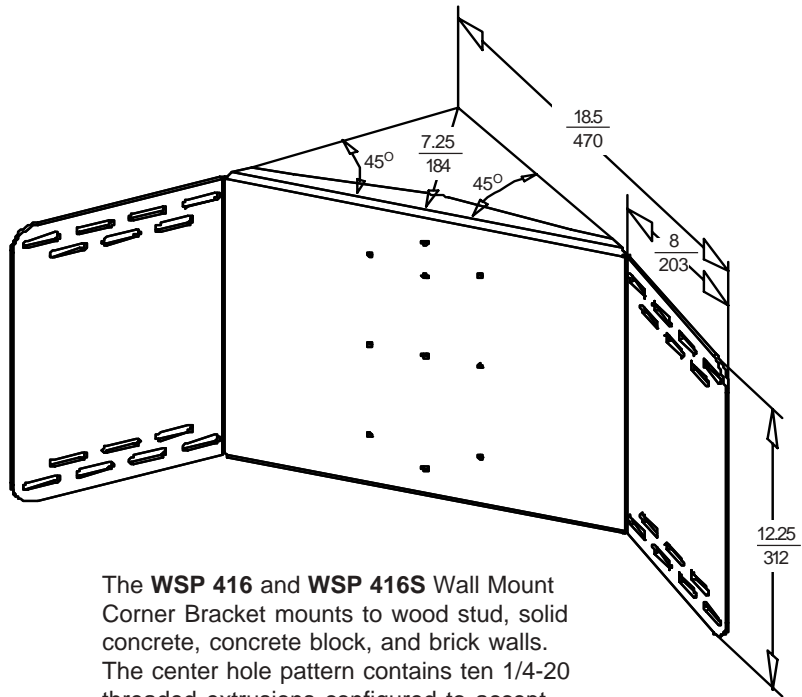


See page 2 for specifications.

ALL DIMENSIONS: $\frac{\text{INCH}}{\text{MM}}$

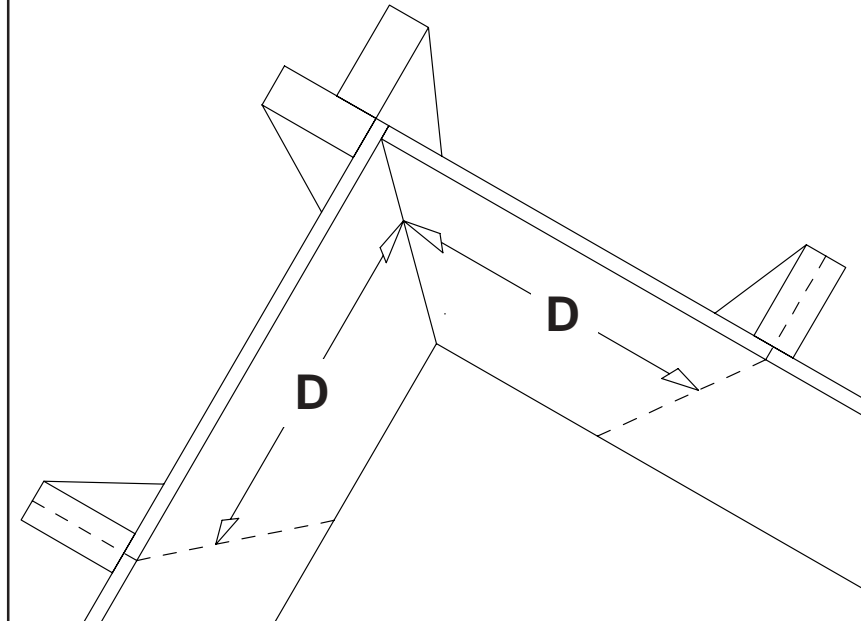


The **WSP 416** and **WSP 416S** Wall Mount Corner Bracket mounts to wood stud, solid concrete, concrete block, and brick walls. The center hole pattern contains ten 1/4-20 threaded extrusions configured to accept most Peerless wall arms / wall plates. 1/4-20 screws for attachment are included.

TOP VIEW - WOOD STUD WALL

If attaching to a wood stud wall stud centers must fall within the range shown below.

$$D = \frac{11"}{280} \text{ MINIMUM TO } \frac{18"}{457} \text{ MAXIMUM}$$



This Product must be installed by a qualified professional installer.

LISTED

Architects specifications:

The Corner Bracket shall be a Peerless model **WSP** _____ and shall be attached where indicated on the plans. It shall contain a hole pattern of ten threaded extrusions configured to accept most Peerless Wall Arms. Fasteners for attaching Peerless Wall Arms shall be included with the Corner Bracket. It shall be constructed of 10 gauge cold rolled steel and finished in black or silver fused epoxy. Assembly and installation shall be done according to the instructions provided by the manufacturer.

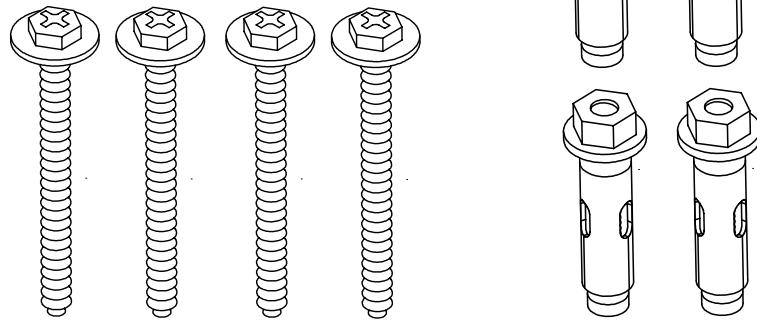
**TECHNICAL DATA SHEET
WALL MOUNT CORNER BRACKET**

Peerless Industries, Inc.

3215 W. North Ave.
Melrose Park, IL 60160

phone: (708)865-8870
fax: (708)865-2941

Corner Bracket includes four wood screws for attachment to a wood stud wall. For attachment to a concrete wall additional fastener package **ACC 210** (right) must be ordered.



SPECIFICATIONS			
Weight	Shipping Weight	Max. Load Capacity	
		Concrete	Wood
14.7 lbs. (6.7 kg)	16 lbs. (7.3 kg)	150 lbs. (68 kg)	150 lbs. (68 kg)

