

Assembly Instructions - Wall Mount Corner Bracket

Models:
WSP 416,
WSP 416S



This product is UL Listed and is intended for use with UL Listed TVs only. It must be installed by a qualified professional installer.

IMPORTANT! Read entire instruction sheet before you start installation and assembly.

⚠ WARNING

- Installer must verify that the wall will safely support the combined weight of all attached equipment and hardware.
- Do not attach to a metal stud wall!

MAXIMUM LOAD CAPACITY

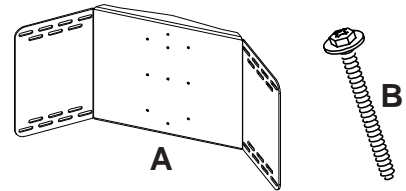
TYPE OF WALL	MAXIMUM WEIGHT OF TV
WOOD STUD	150 lbs. (68 kg.)
CONCRETE	150 lbs. (68 kg.)

Before you start make sure all parts shown below are included with your bracket.

For solid concrete, cinder block or brick walls order accessory kit **#ACC210**

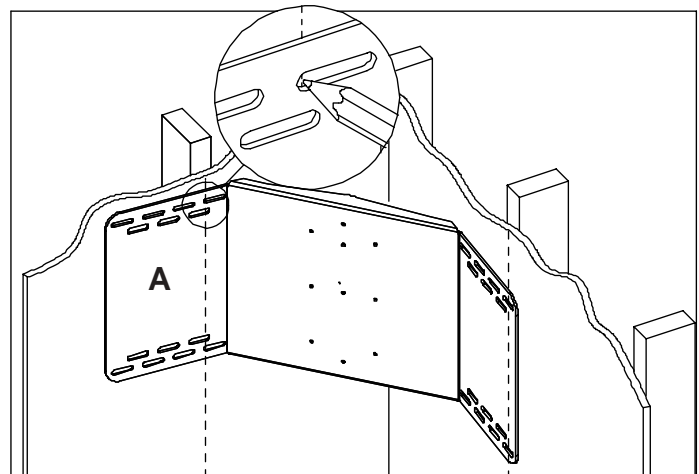
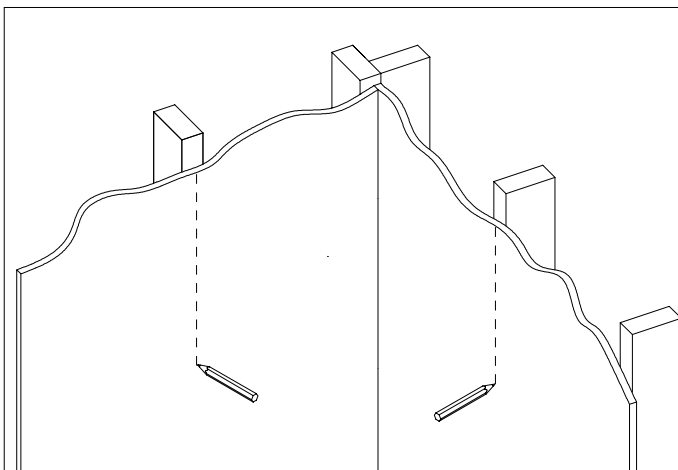
PARTS LIST

	WSP 416	WSP 416S	QTY.	DESCRIPTION
A	024-1038	024-4038	1	corner bracket
B	5S1-015-C03	5S1-015-C04	4	#14 x 2.5" (6 mm x 65 mm) washer head wood screw
C	510-9108	520-9511	6	1/4-20 x 1/2" phillips screw (not shown)
D	540-9402	540-9447	6	lock washer (not shown)



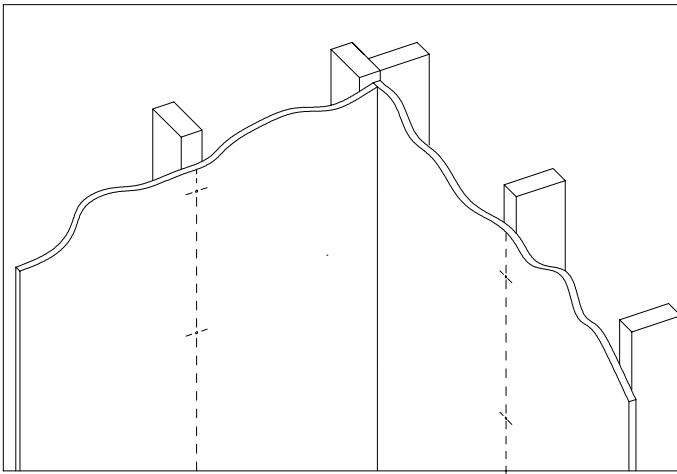
Wood Stud Wall Installation

IMPORTANT: Wall stud location will vary. Be sure that the two wall studs fall within the range of the corner bracket mounting slots. **CORNER BRACKET MUST BE ANCHORED INTO WOOD STUD CENTERS!**



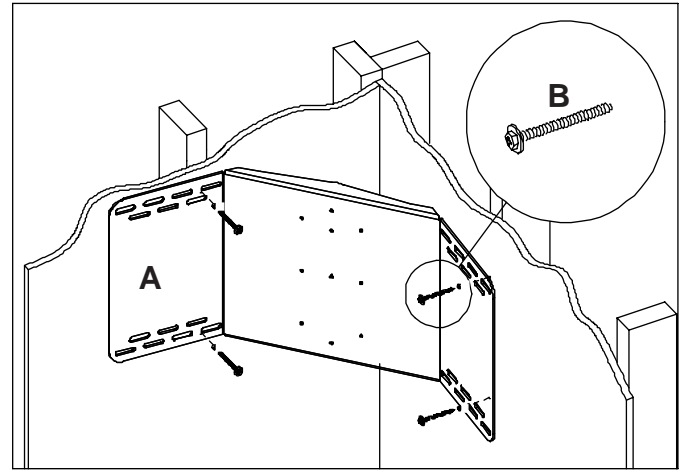
1 Use stud finder to locate stud centers. Mark stud centers with vertical lines.

2 Position corner bracket (A) in corner. Mark four hole centers through mounting slots on stud centers.



3 Drill four 5/32" (4 mm) holes to a minimum depth of 2.5" (64 mm).

5 Use 1/4-20 screws and lock washers to attach the wall plate or wall arm of your Peerless Wall Mount TV Bracket to the Corner Bracket.

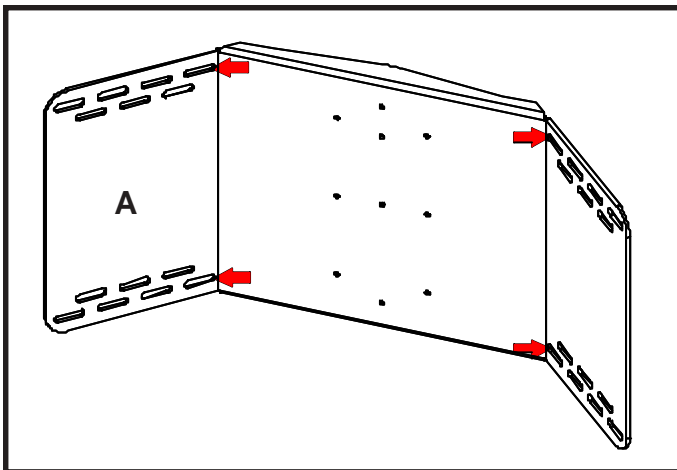


4 Attach corner bracket (A) using four #14 x 2.5" (6 mm x 65 mm) washer head wood screws (B).

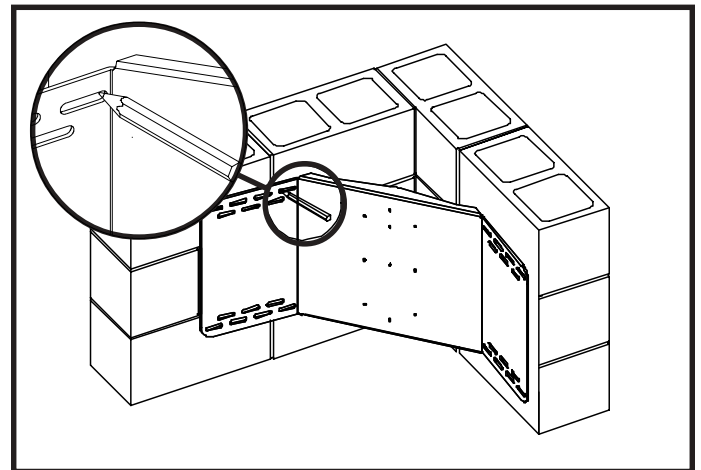
▲ WARNING

- Tighten wood screws so that wall plate is firmly attached, but do not overtighten. Overtightening can damage the screws, greatly reducing their holding power.
- Never tighten in excess of 80 in • lb (9 N.M.).
- Make sure that mounting screws are anchored into the center of the studs. The use of an "edge to edge" stud finder is highly recommended.

Concrete, Cinder Block, or Brick Wall Installation



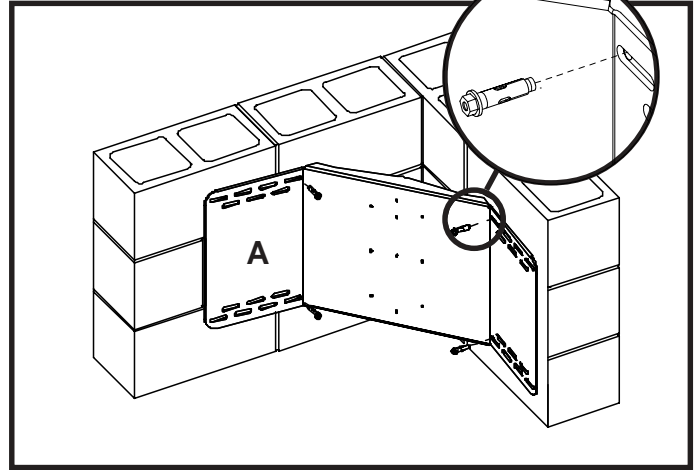
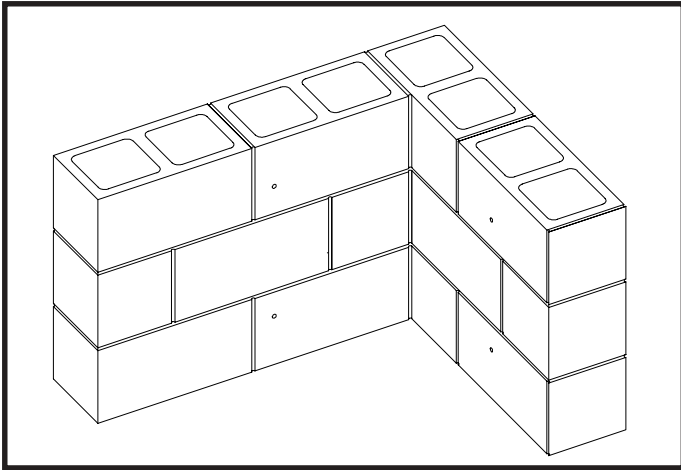
1 Arrows indicate best slots for attachment. If slot(s) align with a mortar joint(s) choose another slot.



2 Position corner bracket (A) in corner. Mark four hole centers through mounting slots.

▲ WARNING

- Do not attach to mortar joint(s)!



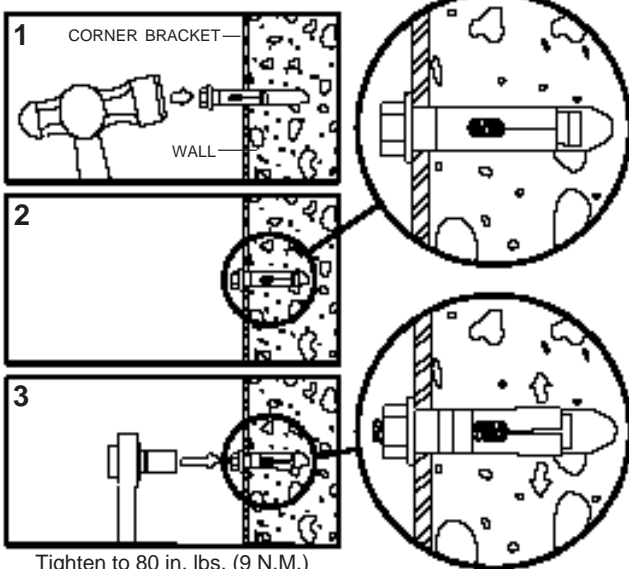
3 Drill four 5/16" (8 mm) holes to a minimum depth of 1.75" (44 mm).

4 Attach using four .312 / 8 mm x 1.625 (41 mm) concrete expansion anchors (sold separately, accessory kit #ACC 210).

5 Use 1/4-20 screws and lock washers to attach the wall plate or wall arm of your Peerless Wall Mount TV Bracket to corner bracket.

Concrete Anchor Installation Details

CUTAWAY VIEW



Tighten to 80 in. lbs. (9 N.M.) torque. Use a 10 mm wrench.



⚠ WARNING

- Always attach concrete expansion anchors directly to load-bearing concrete.
- Never attach concrete expansion anchors to concrete covered with plaster, drywall or other finishing material.

CUTAWAY VIEW

