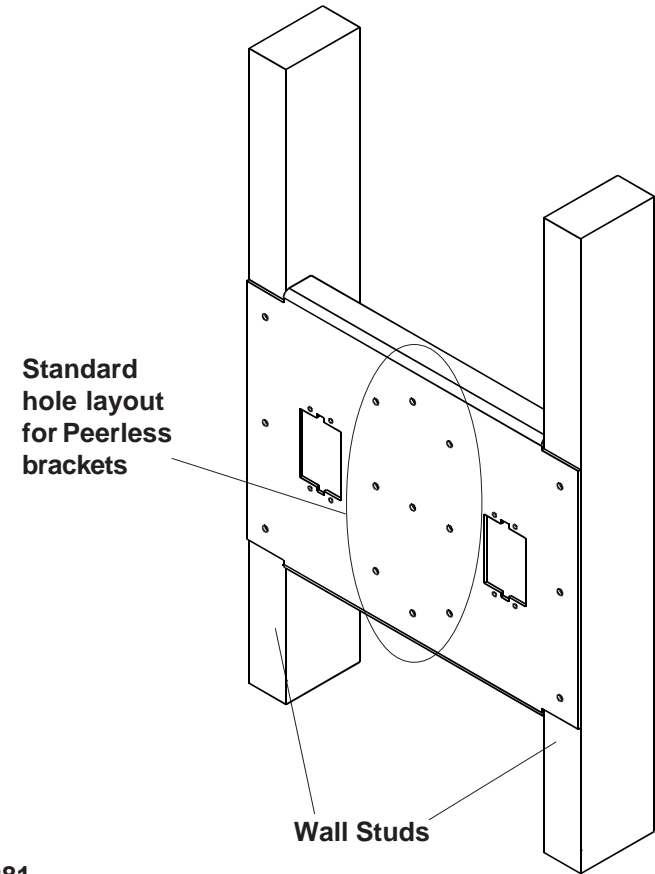
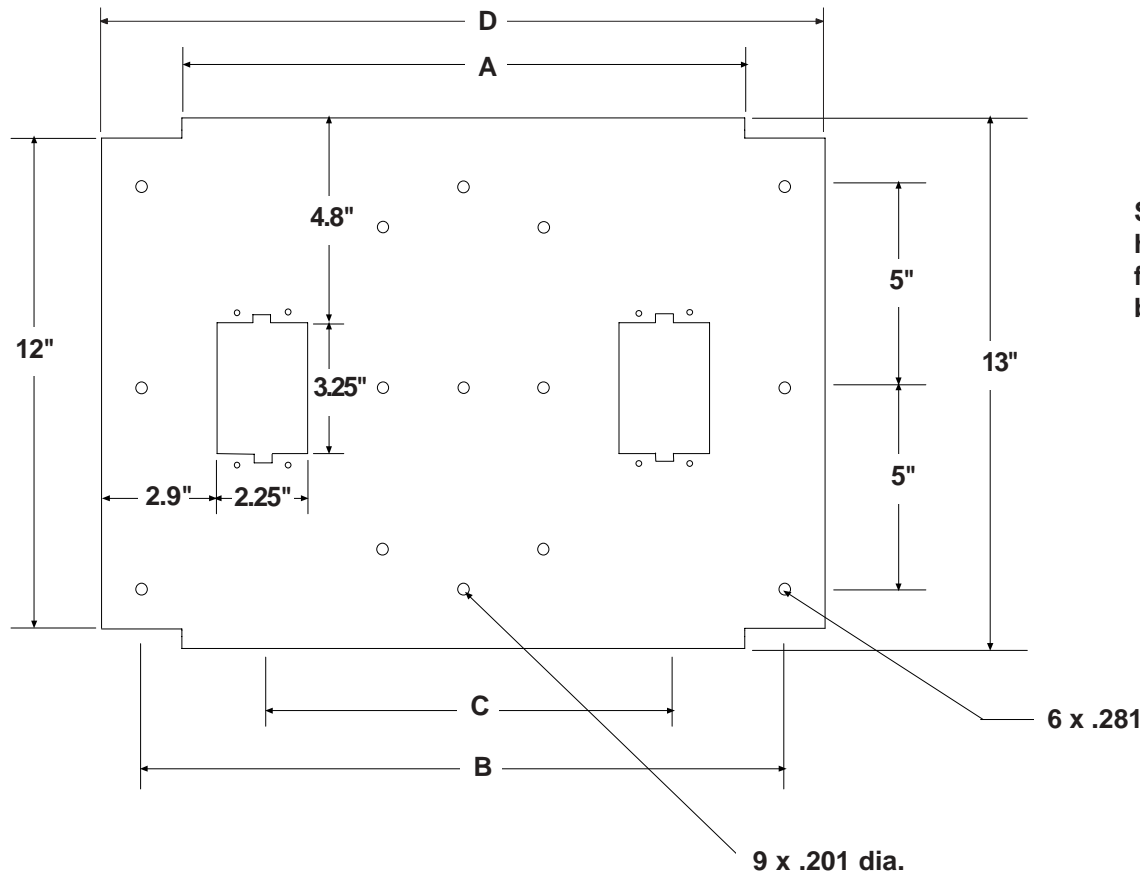


Model #	A	B	C	D
WSP 410-1, WSP 410-1S	14"	16"	10"	18"
WSP 410-2, WSP 410-2S	22"	24"	10"	26"



Architects Specifications: The Wall mounting plate shall be a Peerless model # _____ and shall be mounted where indicated on the plans. The plate shall be made of 10 ga. steel and finished in Satin Black or Silver fused epoxy. It shall also contain two knockouts for mounting single gang electrical boxes. All hardware for mounting the wall plate shall be supplied by the contractor.

TECHNICAL DATA SHEET
Interior/Exterior Wall Mounting Plate



Peerless Industries, Inc.
 3215 Hawthorne Ave. Melrose Park, IL 60160
 708-865-8870 800-865-2112 Fax 708-865-2941
 www.peerlessindustries.com

SHEET NO:031-9502-4 ISSUED: 09-10-76 REVISION: 07-29-04