

Installation and Assembly - Interior/Exterior Wall Mounting Plate

Models:
WSP 410-1, WSP 410-1S,
WSP 410-2, WSP 410-2S

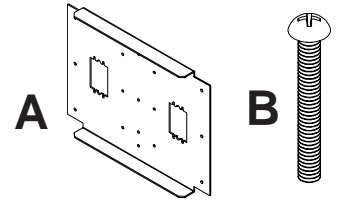
Note: Read entire instruction sheet before beginning installation and assembly.
Max. Load Capacity: 150 lb (68 kg)



This product is UL Listed. It must be installed by a qualified professional installer.

Before you begin, make sure all parts shown are included with your product.

Parts List Description	Qty.	WSP 410-1 Part #	WSP 410-1S Part #	WSP 410-2 Part #	WSP 410-2S Part #
A wall plate	1	1410-371	1410-302	1410-271	1410-202
B 1/4-20 x 2" round head phillips screw	4	510-9117	510-4117	510-9117	510-4117



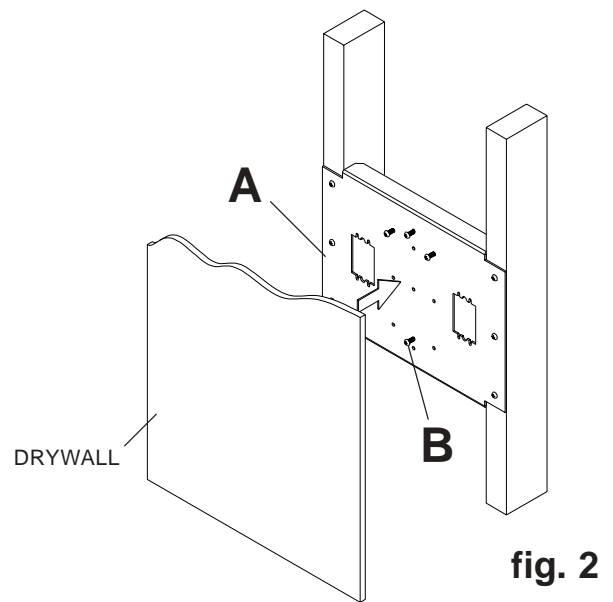
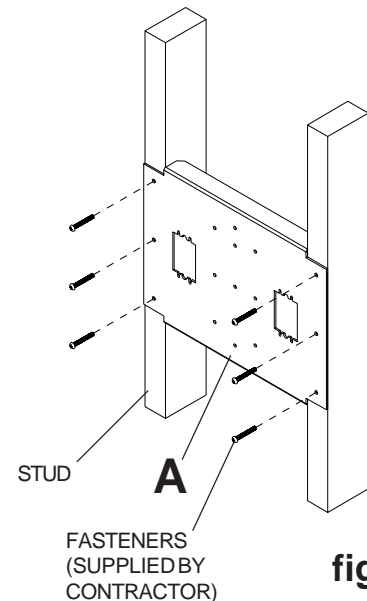
⚠ WARNING

- Due to various construction variables, it is imperative that the installer verify the integrity and the load carrying capacity of the wall studs used for mounting this product.

Note: The wall mounting plate may be installed on either the interior or exterior of the wall. Follow the directions for your type of configuration.

Interior Installation (New Construction)

- 1 Determine the location where the wall plate (**A**) will be installed. Make sure that there will be enough clearance between the ceiling and the top of the TV when it is in place.
- 2 Mount the wall plate (**A**) securely to the studs as shown in figure 1 (fasteners must be supplied by the contractor). Make sure that the top of the plate is level.
- 3 Insert the 1/4-20 x 2" bolts (**B**) into four of the threaded holes as pictured (see figure 2). Place the drywall over the mounting plate (**A**). Press on the drywall so that the bolts in the threaded holes will make indentations of the back of the board.
- 4 Remove the bolts from the wall mount. Using the indentations created in step 3 as a template, drill 1/4" holes in the drywall. Install the drywall, and mount the wall arm using 1/4-20 x 2" bolts (**B**) through the drywall into the wall plate according to the wall arm instructions.



Exterior Installation (Finished Wall)

- 1 Determine the location where the wall plate (**A**) will be installed. Make sure that there will be enough clearance between the ceiling and the top of the TV when it is in place.
- 2 Mount the wall plate (**A**) securely to the finished wall surface as shown in figure 3 (fasteners must be supplied by the contractor). Make sure that the plate is attached to the wall studs and that the top of the plate is level.
- 3 Mount the wall arm to the wall plate (**A**) using the 1/4-20 x 2" bolts (**B**) according to the wall arm instructions.

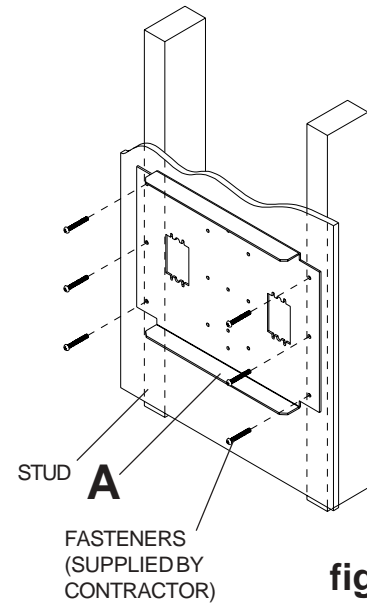


fig. 3