

Installation and Assembly - Enclosed VCR Mount

Models:
VPM081-J
VPM081-S
VPM081-W

IMPORTANT! Read entire instruction sheet before you start installation and assembly.

For customer service, comments, or to order additional products call 1-800-729-0307 or 708-865-8870.

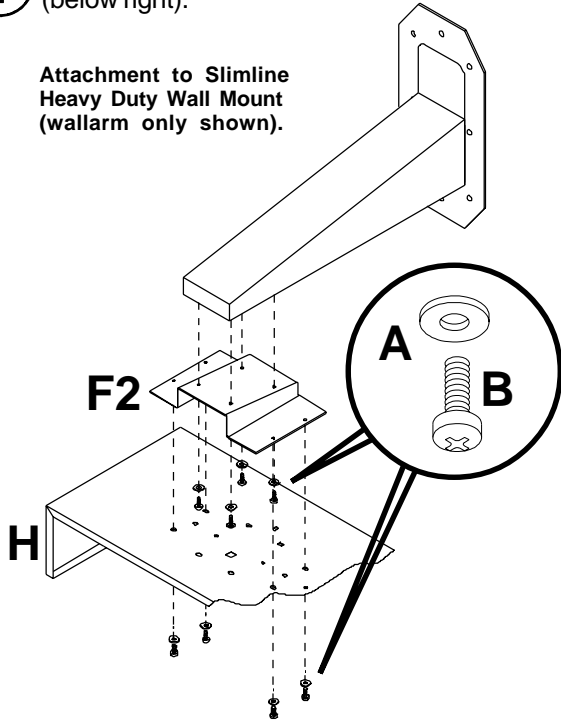
Peerless Industries, Inc.
1980 Hawthorne Avenue
Melrose Park, IL 60160

Before you start check parts list (page 2) to make sure all parts have been included.

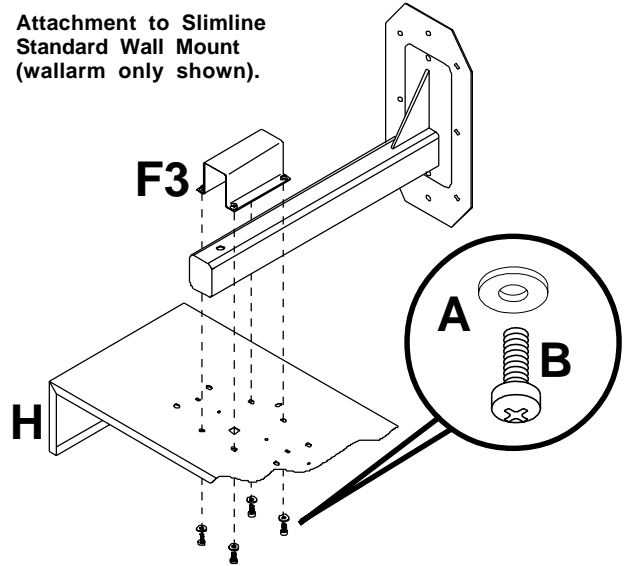
Note: This product contains self-tapping screws. Pre-tapping all holes will make final installation easier. To pre-tap holes insert and remove screws before you start assembly.

- 1** Attach enclosure (H) to TV Mount as shown. TV removal is not required except for older model Jumbo Mounts (below right).

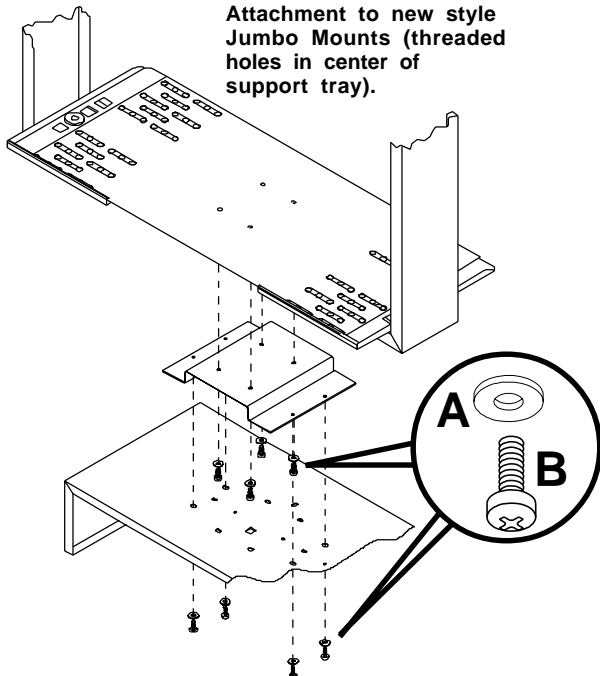
Attachment to Slimline Heavy Duty Wall Mount (wallarm only shown).



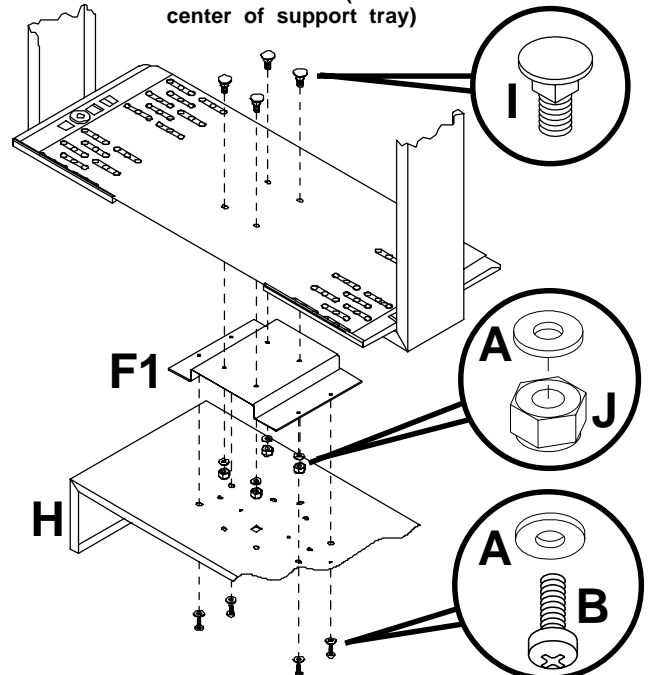
Attachment to Slimline Standard Wall Mount (wallarm only shown).



Attachment to new style Jumbo Mounts (threaded holes in center of support tray).



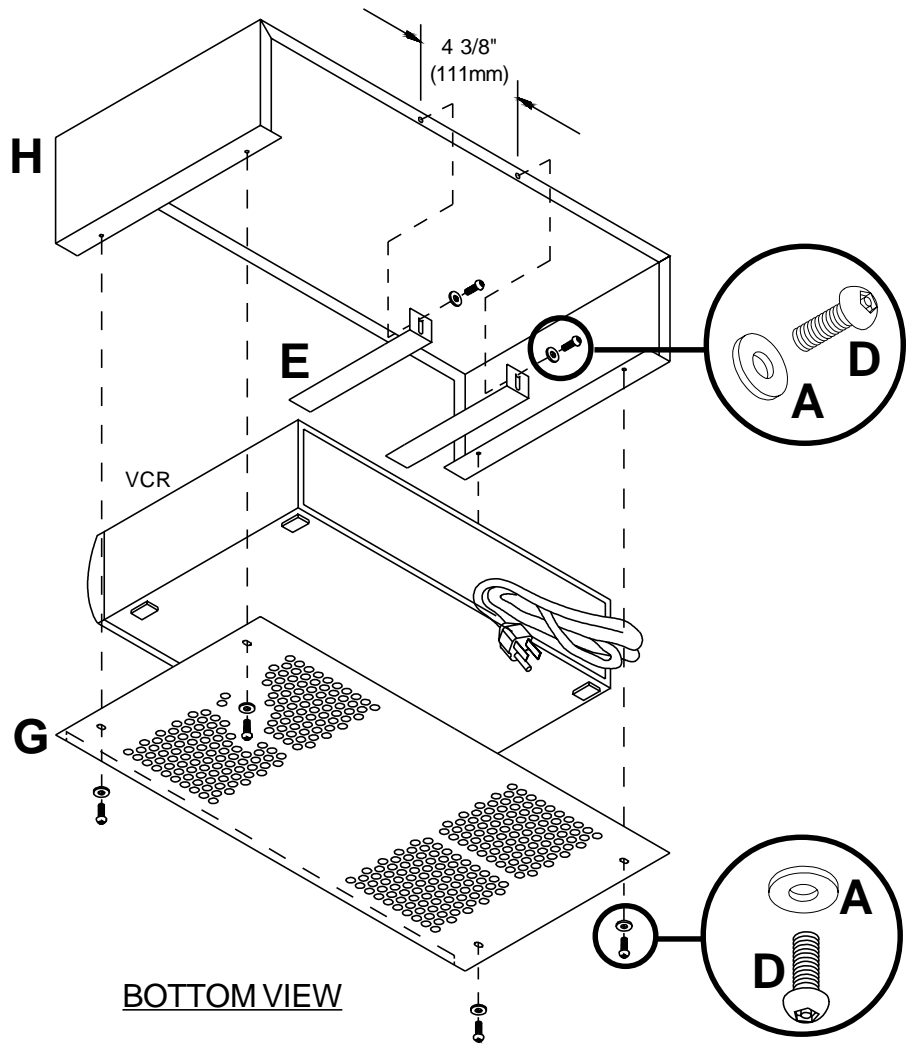
Attachment to older style Jumbo Mounts. (slots in center of support tray)



2 Clean top of VCR with alcohol or degreaser. Attach two L-brackets (E) to top of VCR keeping in mind that VCR must be centered within enclosure (H), and front of VCR should be flush with front of enclosure. L-brackets (E) must measure 4 3/8" (111mm) from slot center to slot center.

Center VCR on support tray (G). Carefully lift and attach support tray (G) to bottom of enclosure (H) using four penta-pin screws (D) and flat washers (A). **Note:** Tabs on L-brackets (E) must be positioned outside of enclosure.

Finally, attach two L-brackets (E) to back of enclosure using remaining penta-pin screws (D) and flat washers (A).



BOTTOM VIEW

Model # & Quantity			Parts List	
VPM081-J	VPM081-S	VPM081-W	Description	Part Number
14	14	10	A #10 SAE flat washer	540-9400
8	8	4	B M5 x .8 x 10mm phillips screw	520-9250
1	1	1	C penta-pin tool	520-9249
6	6	6	D M5 x .8 x 10mm penta-pin screw	505-9010
2	2	2	E L-bracket	1245-171
1	-	-	F1 hanger bracket	1255-275
-	1	-	F2	1255-273
-	-	1	F3	1245-271
1	1	1	G support tray	1245-371R
1	1	1	H enclosure	1245-373
4	-	-	I 10-24 x 1/2 carriage bolt	520-9523
4	-	-	J 10-24 x 1/2 nylock nut	530-9341

Parts may appear slightly different than illustrated.

