

TECHNICAL DATA SHEET - Circular Multi-Display™ Systems

peerless®
Solid Solutions - Solid Support™

MODEL: MDJ 760

The Circular Multi-Display System is ideal for use in retail environments, airports, and sports arenas. The system configuration supports three to four TVs, plasma, or LCD screens.

MULTI-DISPLAY SYSTEM FOR JUMBO 2000 MOUNTS

Features:

- Heavy gauge steel circular pipe
- Scratch resistant black fused epoxy finish
- Multi-screen display for three to four TV sets
- Jumbo Models available for 19" to 36" TVs
- Utilizes Jumbo 2000® Ceiling Mounts
- Concealed wiring capability through extension column to ceiling

Additional models required:

- Fixed Length Extension Column models (ADD 101 - 110)
- †Ceiling Decoupler (DCT 600)
- Multi-Display Interface Bracket model ACC 600
- Jumbo 2000 Ceiling Mounts JM 2640, JM 2650 & JM 2660

Dimensions:

Weight:
42 lb (19.1 kg)

Shipping weight:
45 lb (20.4 kg)

Maximum Load Capacity:
600 lb (272.7 kg)

Shipping Carton dimensions:
L = 97.50 in (247.7 cm)
W = 2.00 in (5.1 cm)
H = 2.00 in (5.1 cm)

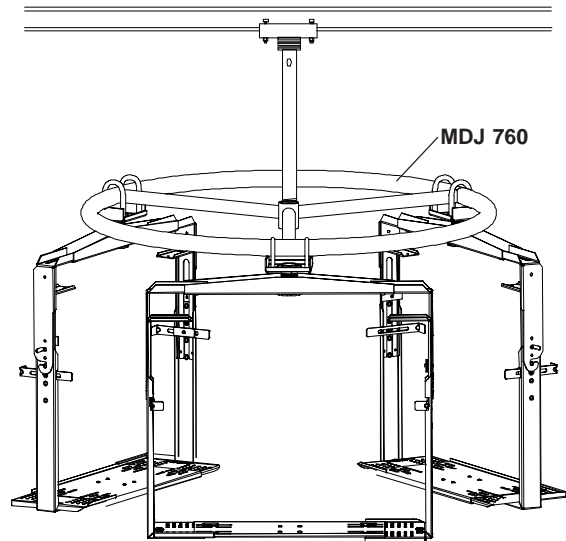
MULTI-DISPLAY SYSTEM FOR PLASMA MOUNTS

Features:

- Can be mounted in the horizontal or vertical position
- Heavy gauge steel circular pipe
- Scratch resistant black fused epoxy finish
- Multi-screen display for three to four 32" - 50" plasma screens
- Utilizes the PLCM-2 Mount
- Concealed wiring capability through extension column to ceiling

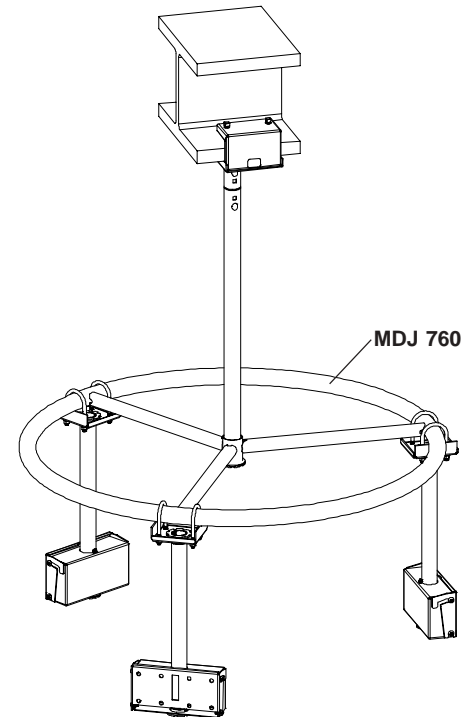
Additional models required:

- *Fixed Length Extension Column models (ADD 101 - 110) or Adjustable Extension Column (ADD 012018, 018024, 0203, 0305, 0406, 0507, 0608, 0709, 0810, 0911, 1012)
- **Fixed Length Extension Column models (EXT 006, 018, 101 - 110) or Adjustable Extension Column models (ADJ 006006, 0121018, 018024, 0203, 0305, 0406, 0507, 0608, 0709, 0810, 0911, 1012)
- †Ceiling Decoupler (DCT 600)
- Multi-Display Interface Bracket model ACC 600
- Jumbo 2000 Ceiling Mounts JM 2640, JM 2650 & JM 2660



MULTI-DISPLAY™ SYSTEM
FOR JUMBO 2000® MOUNTS

MULTI-DISPLAY SYSTEM
FOR PLASMA MOUNTS



*ADD columns are used for attachment to ceiling decouplers only.

**EXT and ADJ columns are used for attachment to PLCM-2.

†Other ceiling decouplers may be used if mounted to a structure other than an I-Beam (Call Customer Service for more information).

ARCHITECTS SPECIFICATIONS

The Circular Multi-Display Systems shall be a Peerless model **MDJ 760** and shall allow for mounting three to five TV/monitors of up to 36" diagonal screen size or three to four plasmas up to 50" diagonal screen size with a maximum load capacity of 600 lb. It shall be constructed of heavy gauge steel circular pipe and finished in scratch resistant black fused epoxy. Assembly and installation shall be done according to instructions provided by the manufacturer.

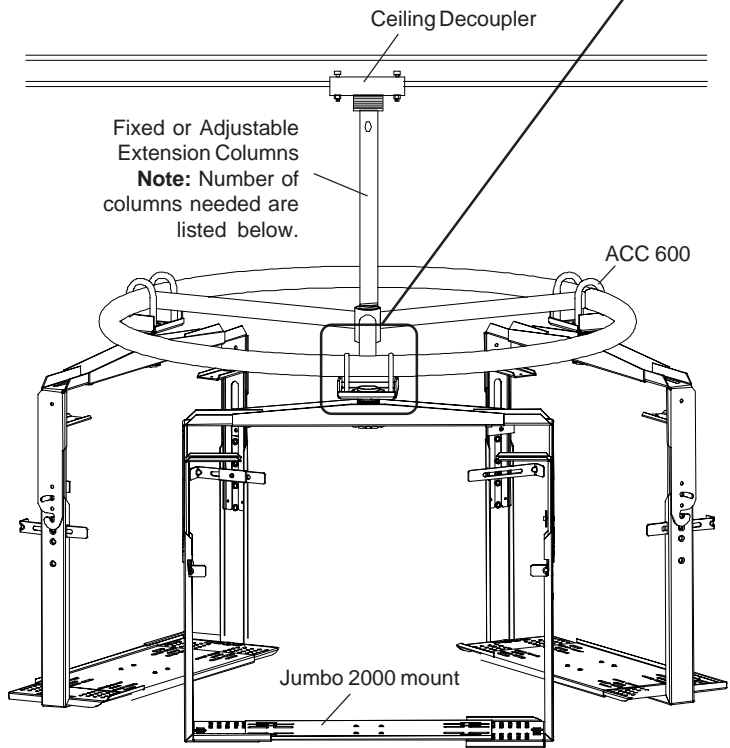
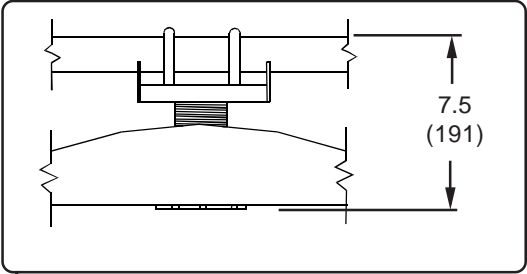
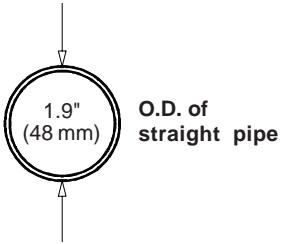
Peerless Industries, Inc.
3215 W. North Ave. Melrose Park, IL 60160
708-865-8870 800-865-2112 Fax 708-865-2941
www.peerlessindustries.com

ISSUED: 07-05-00 SHEET NO: 139-9515-2 12-29-04

©2004 Peerless Industries, Inc. All rights reserved.
Peerless and Jumbo 2000 are registered trademarks, and Multi-Display is a trademark of Peerless Industries, All other brand and product names are trademarks or registered trademarks of their respective owners.

TECHNICAL DATA SHEET

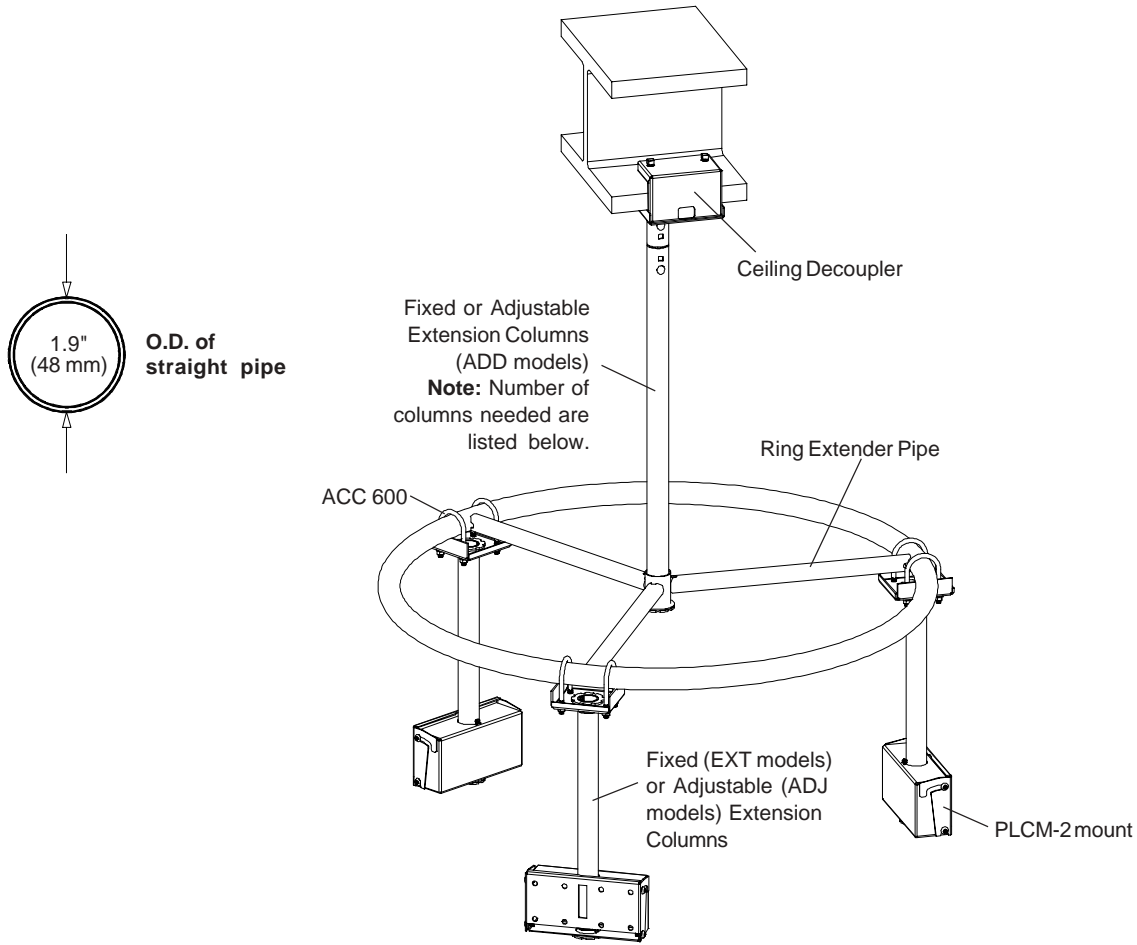
MODEL: MDJ 760



JUMBO QTY.	MODEL #	JUMBO SIZE	PIPE DIAMETER	COLUMNS REQ	ACC 600 REQ	ACC 600 Approx. spacing (center to center for Jumbos)
3	MDJ 760	JM2640	48" (122 cm)	1	3	End of one ring extender pipe
	MDJ 760	JM2640	48" (122 cm)	1	3	
	MDJ 760	JM2660	48" (122 cm)	1	3	
4	MDJ 760	JM2640	48" (122 cm)	1	4	90° / 36" (90° / 91 cm)
	MDJ 760	JM2650	48" (122 cm)	1	4	

TECHNICAL DATA SHEET

MODEL: MDJ 760



PLASMA QTY.	MODEL #	PLASMA SCREEN SIZE	PLCM-2 QTY.	PIPE DIAMETER	*ADD COLUMNS REQ.	**EXT / ADJ COLUMNS REQ.	CEILING DECOUPLERS	ACC 600 REQ.	ACC 600 Approx. spacing (center to center for plasmas)
3	MDJ 760	32" (approx. width - 30")	3	48" (122 cm)	1	3	1	3	End of one ring extender pipe
	MDJ 760	40" (approx. width - 38")	3	48" (122 cm)	1	3	1	3	
	MDJ 760	42" (approx. width - 40")	3	48" (122 cm)	1	3	1	3	
	MDJ 760	50" (approx. width - 48")	3	48" (122 cm)	1	3	1	3	
4	MDJ 760	32" (approx. width - 30")	4	48" (122 cm)	1	4	1	4	90° / 36"
	MDJ 760	40" (approx. width - 38")	4	48" (122 cm)	1	4	1	4	
	MDJ 760	42" (approx. width - 40")	4	48" (122 cm)	1	4	1	4	

*ADD columns are used for attachment to ceiling decouplers only.

**EXT and ADJ columns are used for attachment to PLCM-2.

TECHNICAL DATA SHEET

MODEL: MDJ 760

C = centerline
 D = drop
 H = plasma height
 d = distance from adapter plate C to plasma C
 T = extension column length
 $T = D + 1/2 H + d + 3.0$

