

# Installation and Assembly - Multi-Display for Jumbo Mounts

Cross Support Kit Models: **MDJ 630 MDJ 640 MDJ 650 MDJ 660**

Support Pipe Kits, Spacer Tubes, Pedestals, Extension Columns: These component groups are all sold separately but covered on this instruction sheet. See parts lists below and on page two for model numbers.

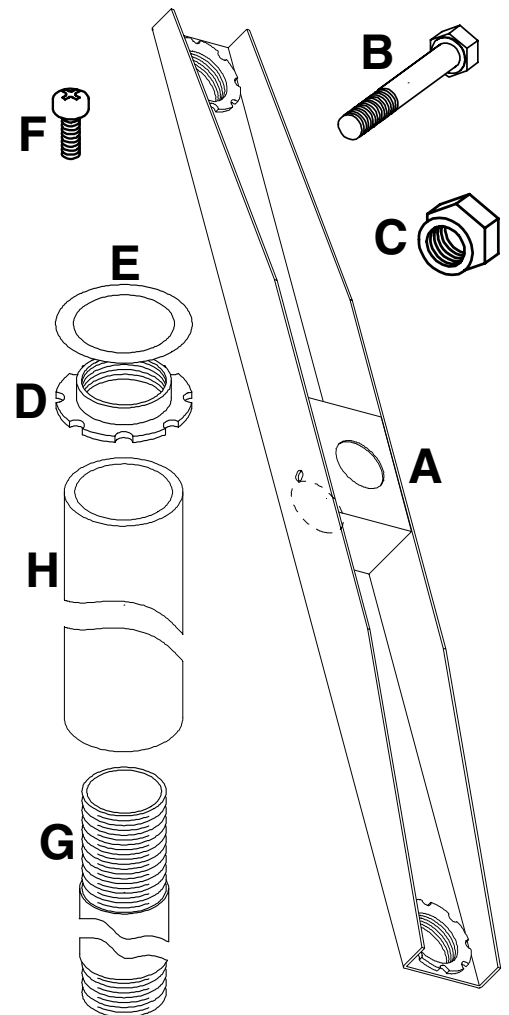
The Multi-Display for Jumbo Mounts is a mix-and-match system which offers both pedestal and ceiling applications. Each component group is sold and packed separately for maximum versatility. The customer will therefore only pay for and receive the component groups necessary for his or her specific installation.

## ⚠ WARNING

- Installer must verify that mounting surface will safely support the combined weight of all attached equipment and hardware.
- TV weight is restricted to a maximum of 300 lb (136 kg) per cross support kit. All TVs must be of the same model. Interfacing TVs/monitors into electrical system at installation site must conform to local electrical codes governing such installations and be done by a qualified electrician / electrical contractor.

MDJ630	MDJ640	MDJ650	MDJ660	CROSS SUPPORT KIT			
				qty.	part number	description	
✓				A	1	139-1012 139-1013 139-1014 139-1015	dual cross support
✓	✓			B	1	520-9547 520-9548	3.75" long hex head bolt 4.5" long hex head bolt
✓	✓	✓	✓	C	1	530-9310	3/8-16 nylock nut
✓	✓	✓	✓	D	1	1800-375	retaining collar
✓	✓	✓	✓	E	1	540-9431	fiber washer-small inside dia.
✓	✓	✓	✓	F	1	520-9250	M5 x .8 x 10 mm screw

Protected by U.S. Patent numbers 5,127,617 and 5,487,524. International patents pending.



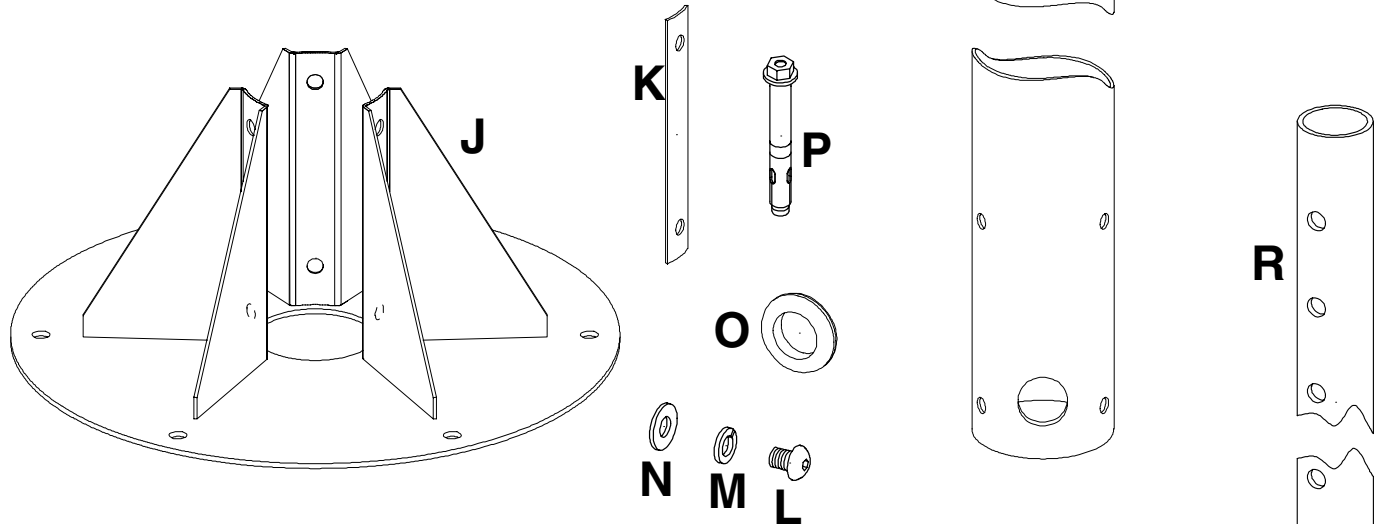
SOLD SEPARATELY					SUPPORT PIPE KITS (FOR USE WITH PEDESTAL)			
ACD635	ACD645	ACD655	ACD665	ACD100	qty.	part number	description	
	✓				G	1	139-1022 139-1023 139-1024 139-1025 139-1083	30" (762 mm) support pipe 33" (838 mm) support pipe 40" (1016 mm) support pipe 46" (1168 mm) support pipe 4" (102 mm) support pipe
	✓	✓		✓	H	1	139-0016 139-0017 139-0018 139-0019	24" (610 mm) spacer tube 27" (686 mm) spacer tube 33" (838 mm) spacer tube 39" (991 mm) spacer tube

SOLD SEPARATELY					SPACER TUBES (FOR USE WITH EXTENSION COLUMN)		
ACD630	ACD640	ACD650	ACD660	qty.	part number	description	
✓				H	1	139-0016	24" (610 mm) spacer tube
	✓				1	139-0017	27" (686 mm) spacer tube
		✓			1	139-0018	33" (838 mm) spacer tube
			✓		1	139-0019	39" (991 mm) spacer tube

**SOLD SEPARATELY**

**MULTI-DISPLAY PEDESTAL**

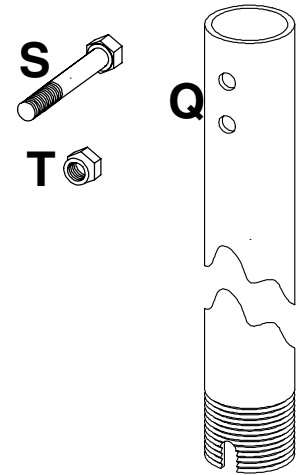
COL 410	COL 510	COL 610	COL 710	COL 810	qty.	part number	description
✓	✓	✓	✓	✓	I 1	139-1032 139-1033 139-1026 139-1027 139-1028	support column
✓	✓	✓	✓	✓	J 1	120-0041	base plate
✓	✓	✓	✓	✓	K 3	1390-472	fastener plate
✓	✓	✓	✓	✓	L 6	5S1-M10-A20	M10-1.5 x 20 mm socket head screw
✓	✓	✓	✓	✓	M 6	540-9424	lock washer
✓	✓	✓	✓	✓	N 6	540-9407	flat washer
✓	✓	✓	✓	✓	O 2	530-9401	rubber grommet
✓	✓	✓	✓	✓	P 6	5M9-381-H03	concrete expansion anchor



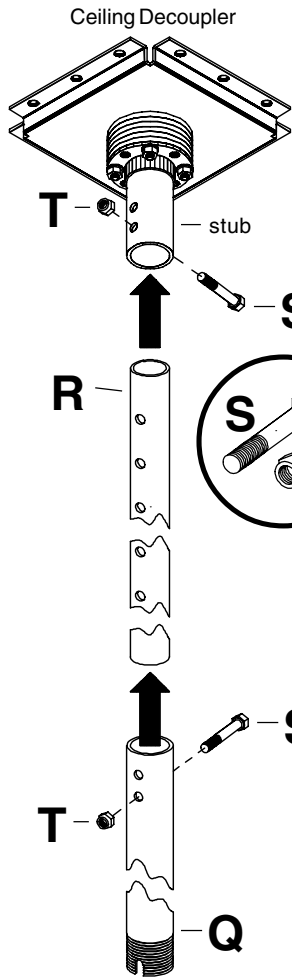
**SOLD SEPARATELY**

**MULTI-DISPLAY EXTENSION COLUMNS**

ADD 0203	ADD 0305	ADD 0406	ADD 0507	ADD 0608	ADD 0709	ADD 0810	ADD 0911	ADD 1012	qty.	part number	description
✓	✓	✓	✓	✓	✓	✓	✓	✓	Q 1	2MD-55VS11D 2MD-55VS12D 2MD-55VS10D 2MD-55VS01D 2MD-55VS08D 2MD-55VS03D 2MD-55VS08W 2MD-55VS05W 2MD-55VS06W	extension pipe
✓	✓	✓	✓	✓	✓	✓	✓	✓	R 1	154-1001 154-1002	adjuster tube
✓	✓	✓	✓	✓	✓	✓	✓	✓	S 2	5S5-381-H01	2.75" long hex head bolt
✓	✓	✓	✓	✓	✓	✓	✓	✓	T 2	5M9-381-H03	nylock nut



# DUAL CEILING MOUNT INSTALLATION



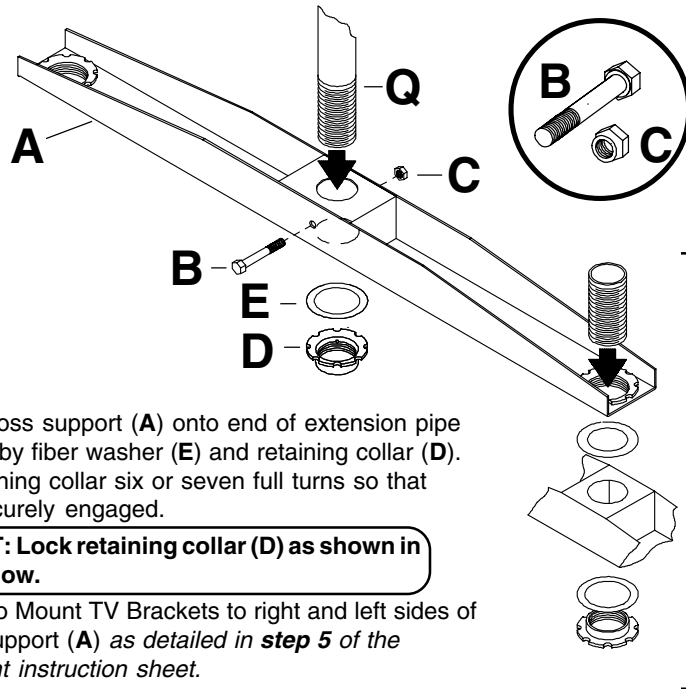
Extension Column attaches to ceiling decoupler (sold separately).

Two models are available: Model #DCS 400 Structural Ceiling Decoupler (shown) and Model #DCT 300 Truss Ceiling Decoupler.

- ① Install Ceiling Decoupler according to instructions provided with it.
- ② Align hole in adjuster tube (R) with hole in stub. Attach with one bolt (S) and nylock nut (T).
- ③ Slide extension pipe (Q) over adjuster tube (R) to the desired height. Attach with one bolt (S) and nylock nut (T).

## ⚠ WARNING

- Installer must verify that the wall will safely support four times the combined weight of all attached equipment and hardware.



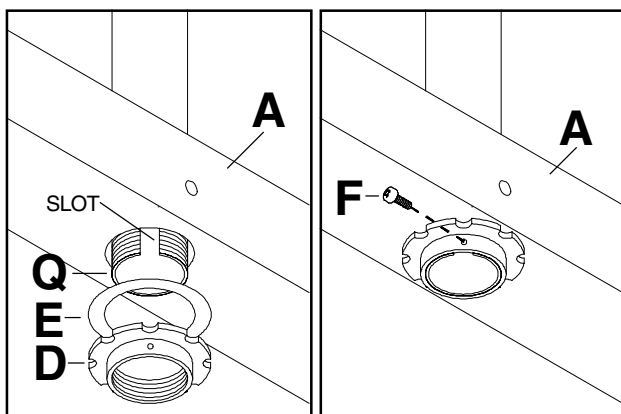
Refer to instruction sheet included with Jumbo Mounts.

- ④ Slide dual cross support (A) onto end of extension pipe (Q) followed by fiber washer (E) and retaining collar (D). Tighten retaining collar six or seven full turns so that thread is securely engaged.

**IMPORTANT: Lock retaining collar (D) as shown in DETAIL 1 below.**

- ⑤ Attach Jumbo Mount TV Brackets to right and left sides of dual cross support (A) as detailed in **step 5** of the Jumbo Mount instruction sheet.
- ⑥ Rotate dual cross support (A) to desired position. Drill 3/8" dia. hole, through existing hole in dual cross support, into extension pipe (Q). Repeat for opposite side. Lock into place with 3/8" bolt (B) and nylock nut (C).

### VIEW FROM BELOW



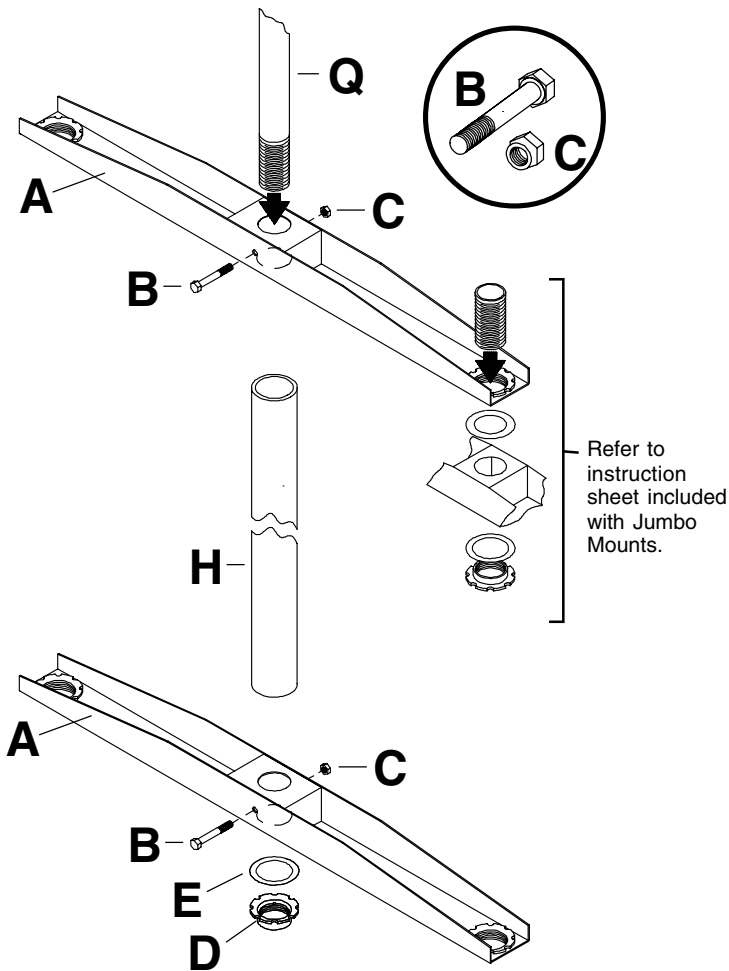
### DETAIL 1

After tightening retaining collar (D) onto end of extension pipe (Q), align one of the small holes in the side of the retaining collar with slot in the end of adjuster tube. Insert and tighten M5 x .8 x 10 mm phillips screw (F) through side of retaining collar into slot. This will lock the retaining collar to the adjuster tube.

## ⚠ WARNING

- For safety retaining collar must be locked to adjuster tube!

# QUAD CEILING MOUNT INSTALLATION



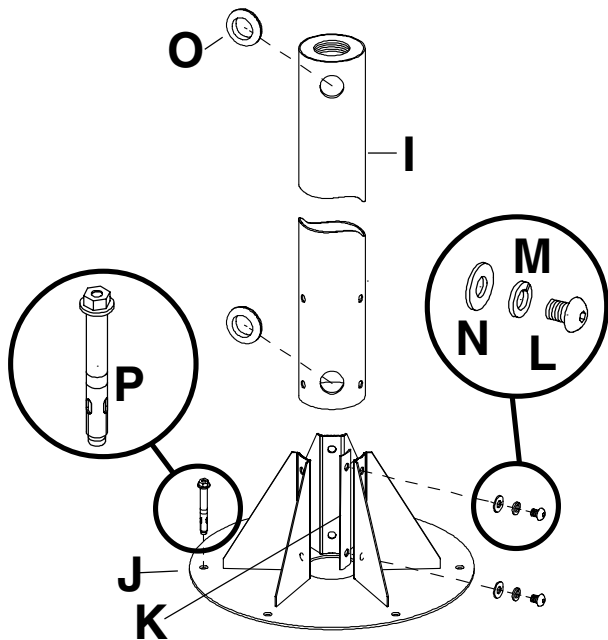
A quad ceiling mount installation involves installing two Dual Jumbo Mounts, one above the other, onto a Multi-Display Extension Column. Complete steps 1 through 3 on page 3. Then proceed as follows:

- 1 Slide one dual cross support (A) onto end of extension pipe (Q) followed by spacer tube (H), second dual cross support (A), fiber washer (E) and retaining collar (D). Tighten retaining collar six or seven full turns so that thread is securely engaged.
- 2 Attach Jumbo Mount TV Brackets to right and left sides of dual cross supports (A) as detailed in step 5 of the Jumbo Mount instruction sheet. Rotate dual cross supports (A) to desired position. Drill 3/8" dia. hole, through existing hole in each dual cross support, into extension pipe (Q). Repeat for opposite side. Lock into place with 3/8" bolt (B) and nylock nut (C).

**IMPORTANT: Lock retaining collar (D) as shown in DETAIL 1, page 3.**

**Please note that extension column runs through spacer tube. Spacer tube does not insert into cross support, it sits between them.**

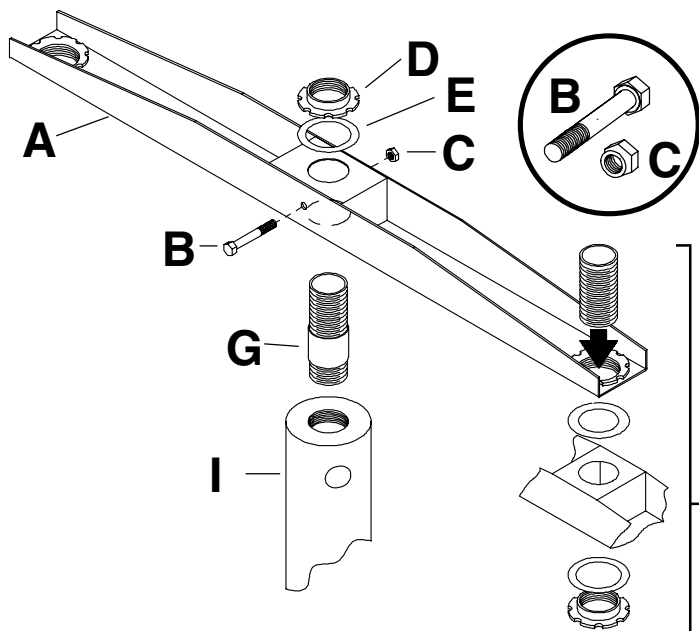
# DUAL PEDESTAL INSTALLATION



- 1 Insert rubber grommets (O) into holes at top and bottom of support column (I).
- 2 At all three support legs attach support column (I) to base plate (J) using fastener plates (K), M10-1.5 x 20 mm socket head screws (L), lock washers (M) and flat washers (N). **Note:** Leave screws slightly loose until all are attached, then tighten all screws securely.
- 3 Attach base plate (J) to concrete floor. Use six Rawl-Bolt concrete expansion anchors (P). Drill 3/8" dia. holes to a minimum depth of 2".

## ⚠ WARNING

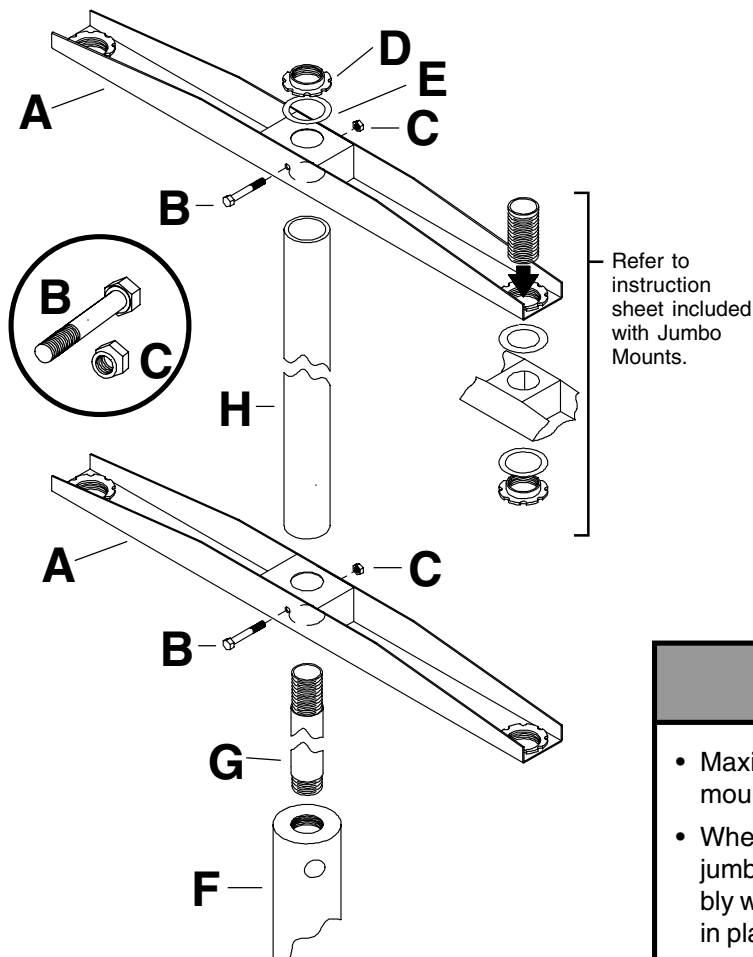
- For attachment to concrete floor only! All six concrete expansion anchors must be used. Tighten to 420 in • lb (47.6 N.M.) torque.



- ④ Thread support pipe (G) into threaded fitting on top of pedestal (I). **Note:** The end **with the shorter amount of threads** is the end to be inserted. Use a pipe wrench to make sure support pipe is very tight. Tighten securely. Slide dual cross support (A) on to support pipe (G) followed by fiber washer (E) and retaining collar (D). Securely tighten retaining collar.
- ⑤ Attach Jumbo Mount TV Brackets to right and left sides of dual cross support (A) as detailed in **step 5** of the Jumbo Mount instruction sheet.
- ⑥ Rotate dual cross support (A) to desired position. Drill 3/8" dia. hole, through existing hole in dual cross support, into support pipe (G). Repeat for opposite side. Lock into place with 3/8" bolt (B) and nylock nut (C).

Refer to instruction sheet included with Jumbo Mounts.

## QUAD PEDESTAL INSTALLATION



Refer to instruction sheet included with Jumbo Mounts.

A quad pedestal installation involves installing two Dual Jumbo Mounts, one above the other, onto a Multi-Display Pedestal.

Complete steps 1 through 3 at the bottom of page 4. Then proceed as follows:

- ① Thread support pipe (G) into threaded fitting on top of pedestal (F). **Note:** The end **with the shorter amount of threads** is the end to be inserted. Tighten securely. Use a pipe wrench to make sure support pipe is very tight. Slide one dual cross support (A) on to support pipe (G) followed by spacer tube (H), second dual cross support (A), fiber washer (E) and retaining collar (D). Securely tighten retaining collar.
- ② Attach Jumbo Mount TV Brackets to right and left sides of dual cross supports (A) as detailed in **step 5** of the Jumbo Mount instruction sheet.
- ③ Rotate dual cross supports (A) to desired position. Drill 3/8" dia. hole, through existing hole in each dual cross support, into support pipe (G). Repeat for opposite side. Lock into place with 3/8" bolt (B) and nylock nut (C).

### ⚠ WARNING

- Maximum load capacity for the upper dual jumbo mount is 150 lb (68 kg) each side.
- When attaching TVs, especially to the upper dual jumbo mount, use caution. Keep in mind that assembly will be temporarily off balance when only one TV is in place.