

Installation and Assembly - Electrical Outlet Strip with Cord Wrap

Before you start make sure all parts shown below are included with your product.

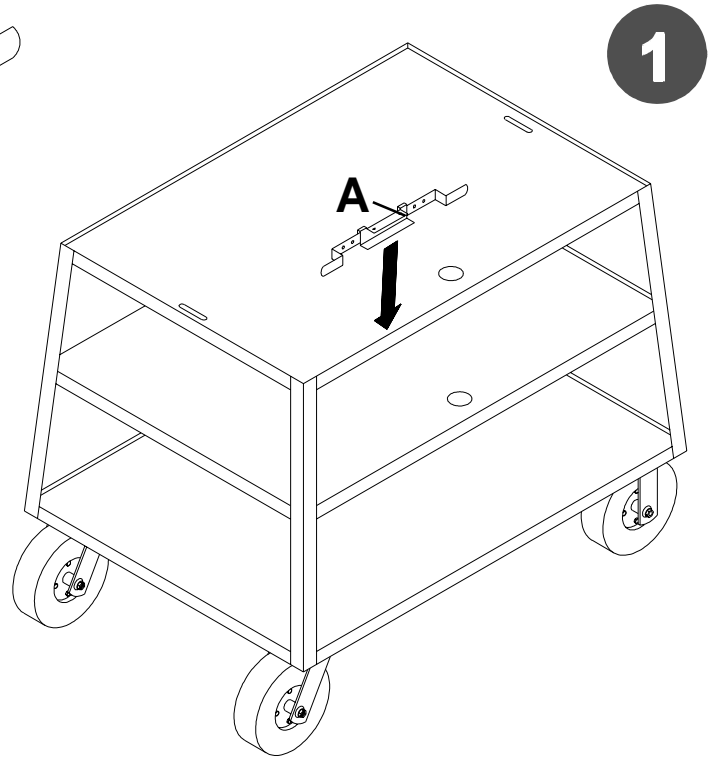
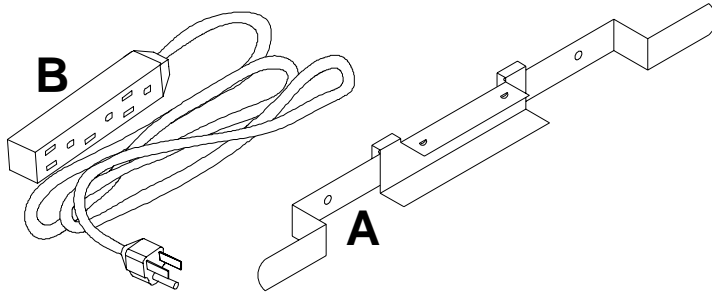
IMPORTANT Read entire instruction sheet before you start installation and assembly.

Models:
ACC552

Parts List

PART #	QTY.	DESCRIPTION
A 009-1023	1	Cord Wrap - Clip
B 600-1006	1	20' Extension Cord

Note: Some parts may appear slightly different than illustrated.



1 **Note: For each step see corresponding illustration.**
Attach clip (A) over the edge where it will mount in a straight in-line position. It may take a slight blow with the palm of your hand to seat clip.

1-1 If clip (A) is easy to install, it can be tightened using an adjustable open ended wrench over the ear and body of the clip (A). Do not overtighten, a gentle twist is sufficient. Next press extension cord (B) into center of mounting clip (A).

1-2 Wrap extension cord (B) around cord wrap (A).

