

Installation and Assembly - Electrical Outlet Strip

**Models:
ACC551**

Before you start make sure all parts shown below are included with your product.

IMPORTANT! Read entire instruction sheet before you start installation and assembly.

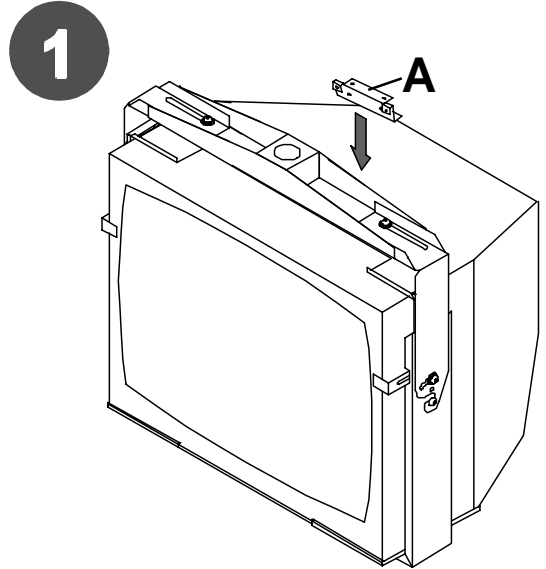
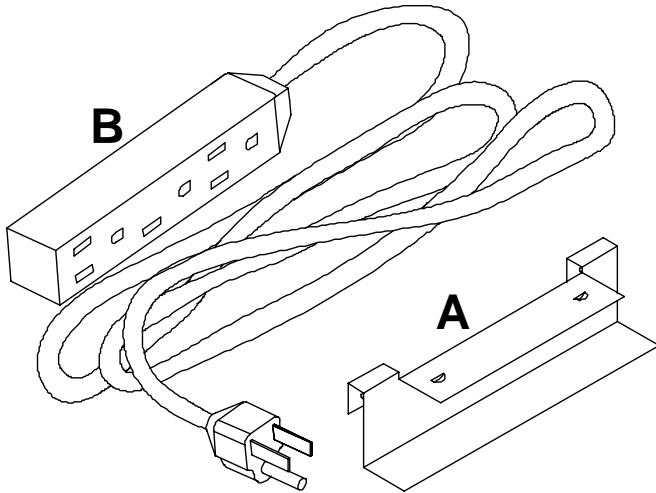
Peerless Industries, Inc.
1980 Hawthorne Avenue
Melrose Park, IL 60160

For customer service call 1-800-729-0307 or 708-865-8870. Visit the Peerless Web Site at www.peerlessindustries.com.

Parts List

PART #	QTY.	DESCRIPTION
A 009-1030	1	Clip
B 600-1006	1	20' Extension Cord

Note: Some parts may appear slightly different than illustrated.

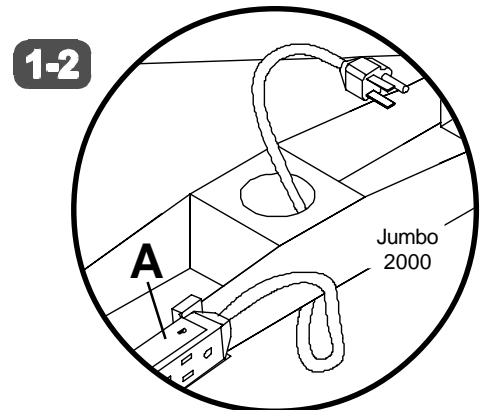
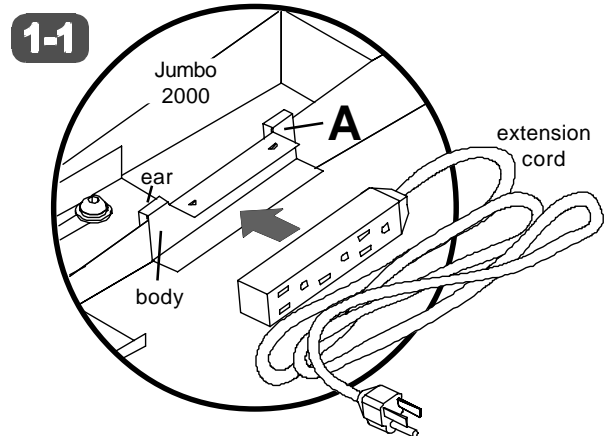


Note: For each step see corresponding illustration.

1 Attach clip (A) over the edge where it will mount in a straight in-line position. It may take a slight blow with the palm of your hand to seat clip.

1-1 If clip (A) is easy to install, it can be tightened using an adjustable open ended wrench over the ear and body of the clip (A). Do not overtighten, a gentle twist is sufficient. Next press extension cord (B) into center of mounting clip (A).

1-2 The extension cord (B) can route through Jumbo mount or be tied behind mounting hardware.



ISSUED: 05-13-99 SHEET #: 128-9022revA